



Register of Completed Embedded Generation Projects Under 5MW

January 2020 – December 2024

16/12/2024 – Version 1.0

Contents

Document Control	1
1 Introduction	2
2 Project Register	3
3 Single Line Diagram Types	39
4 Protection System Types	42
4.1 Protection System Types – Detailed	42

Document Control

Version	Date	Author	Description
0.1	13/12/2024	Connections Planning	Final Draft for Review
1.0	18/12/2024	Connections Planning	For Issue

1 Introduction

The purpose of this document is to provide information on embedded generation projects that have been successfully connected to SA Power Network's Distribution Network and corresponding details of these projects.

In accordance with the National Electricity Rules (NER) clause 5.18B.2 SA Power Networks is required to publish a register of completed embedded generation projects that includes, but is not limited to:

- (1) technology of generating unit (e.g. synchronous generating unit, induction generator, photovoltaic array, etc) and its make and model;
- (2) maximum power generation capacity of all embedded generating units comprised in the relevant generating system;
- (3) contribution to fault levels;
- (4) the size and rating of the relevant transformer;
- (5) a single line diagram of the connection arrangement;
- (6) protection systems and communication systems;
- (7) voltage control, power factor control and/or reactive power capability (where relevant); and
- (8) details specific to the location of a facility connected to the network that are relevant to any of the details in items mentioned above

This register will be updated and published annually by the 31 December.

For more information on the requirements of this reporting and for Generating System connections to our Network, please refer to Technical Standards [TS-132](#) and [TS-133](#) on our website.

Disclaimer

This document is not intended to be used for other purposes, such as making decisions to invest in generation, transmission, or distribution capacity.

Whilst care was taken in the preparation of the information in this document, and it is provided in good faith, SA Power Networks accepts no responsibility or liability for any loss or damage that may be incurred by any person acting in reliance on this information or assumptions drawn from it.

SA Power Networks advises that anyone proposing to use the information in this document should verify its reliability, accuracy and completeness before committing to any course of action. SA Power Networks makes no warranties or representations as to the document's reliability, accuracy and completeness and SA Power Networks specifically disclaims any liability or responsibility for any errors or omissions.

2 Project Register

No.	Connection Date	Region	Substation	Feeder ID	Inverter Installed Capacity (MVA)	Rotating Installed Capacity (MVA)	Total Installed Capacity (MVA)	Allowable Export (MW)	Generation Fuel	Generating Unit Make & Model	Fault Contributions		Transformer Info		Protection and communication systems	Power Factor Control and/or Reactive Power Capability	Single Line Diagram of the Connection Arrangement	Export Details
											At Connection Point	Ph-Ground	Voltage (kV)	Rating				
1	5/12/2024	Metro North	SSD744	SA744G	0.16	0.00	0.16	0.16	Solar PV	6x 27 kVA Fronius Australia 27.0-3-S	N/A	N/A	11/0.433	2000 kVA	Type A		Type 4	Export
2	26/11/2024	Murraylands	SSD151	MB17	0.08	0.00	0.08	0.08	Solar PV	1x 82.8 kVA SolarEdge Technologies Ltd SE82.8K (AS4777-2 2020)	N/A	N/A	11/0.433	750 kVA	Type A	Unity	Type 4	Export
3	24/11/2024	Metro South	SSD116	ME116C	0.05	0.00	0.05	0.03	Solar PV	1x 25 kVA SolarEdge Technologies Ltd SE25K (AS4777-2 2020)	N/A	N/A	11/0.433	300 kVA	Type A		Type 4	Export
4	12/11/2024	Metro North	SSD104	EL14	0.04	0.00	0.04	0.02	Solar PV	1x 10 kVA Huawei Technologies Co Ltd SUN2000-10kTL-M0,1x 29.9 kVA Sungrow Power Supply Co Ltd SG30CX-P2 (AS4777-2 2020)	N/A	N/A	11/0.433	300 kVA	Type A		Type 4	Export
5	5/11/2024	Metro South	SSD200	ME200C	0.05	0.00	0.05	0.05	Solar PV	1x 50 kVA Sungrow Power Supply Co Ltd SG50CX (AS4777-2 2020)	N/A	N/A	11/0.433	1500 kVA	Type A	Unity	Type 4	Export
6	4/11/2024	Riverland	SSD235	LX44	2.49	0.00	2.49	2.77	Storage	1x 2494.2 kVA Ingecon Sun Storage 3660TL C450	N/A	N/A	11		Type C		Type 2	Export
7	23/10/2024	Metro West	SSD347	ME347A	0.25	0.00	0.25	0.20	Solar PV	1x 29.9 kVA Sungrow Power Supply Co Ltd SG30CX (AS4777-2 2020),2x 110 kVA Sungrow Power Supply Co Ltd SG110CX (AS4777-2 2020)	N/A	N/A	11/0.433	1000 kVA	Type C		Type 4	Export
8	21/10/2024	CBD	SSD412	CBD412H	0.05	0.00	0.05	0.05	Solar PV	1x 50 kVA Sungrow Power Supply Co Ltd SG50CX (AS4777-2 2020)	N/A	N/A	11/0.433	500 kVA	Type A	Unity	Type 4	Export
9	20/10/2024	Metro West	SSD520	SA520E	0.20	0.00	0.20	0.19	Solar PV	1x 25 kVA Fronius Australia 25.0-3-S,1x 100 kVA Fronius Australia Pty Ltd Tauro Eco 100-3-D (AS4777-2 2020)	N/A	N/A	11/0.433	2000 kVA	Type B		Type 4	Export
10	15/10/2024	Metro East	SSD121	HH121G	0.11	0.00	0.11	0.11	Solar PV	1x 110 kVA Sungrow Power Supply Co Ltd SG110CX (AS4777-2 2020)	N/A	N/A	11/0.433	315 kVA	Type A	Unity	Type 4	Export
11	15/10/2024	Metro West	SSD365	AP365E	0.11	0.00	0.11	0.11	Solar PV	1x 110 kVA Sungrow Power Supply Co Ltd SG110CX (AS4777-2 2020)	N/A	N/A	11/0.433	2000 kVA	Type A	Unity	Type 4	Export
12	11/10/2024	Metro East	SSD432	HH432F	0.11	0.00	0.11	0.11	Solar PV	1x 110 kVA Sungrow Power Supply Co Ltd SG110CX (AS4777-2 2020)	N/A	N/A	11/0.433	300 kVA	Type A		Type 4	Export
13	26/09/2024	Metro South	SSD234	NL234E	0.22	0.00	0.22	0.22	Solar PV	2x 110 kVA Sungrow Power Supply Co Ltd SG110CX (AS4777-2 2020)	N/A	N/A	11/0.433	2000 kVA	Type C	Unity	Type 4	Export
14	26/09/2024	Metro South	SSD451	NL451B	0.11	0.00	0.11	0.11	Solar PV	1x 110 kVA Sungrow Power Supply Co Ltd SG110CX (AS4777-2 2020)	N/A	N/A	11/0.433	2000 kVA	Type A	Unity	Type 4	Export
15	25/09/2024	Metro North	SSD744	SA744G	0.16	0.00	0.16	0.16	Solar PV	1x 110 kVA Sungrow Power Supply Co Ltd SG110CX (AS4777-2 2020),1x 50 kVA Sungrow Power Supply Co Ltd SG50CX (AS4777-2 2020)	N/A	N/A	11/0.433	1000 kVA	Type A		Type 4	Export
16	24/09/2024	Metro South	SSD350	SM350A	0.08	0.00	0.08	0.08	Solar PV	1x 50 kVA Sungrow Power Supply Co Ltd SG50CX (AS4777-2 2020),1x 29.9 kVA Sungrow Power Supply Co Ltd SG30CX (AS4777-2 2020)	N/A	N/A	11/0.433	750 kVA	Type A	Unity	Type 4	Export
17	20/09/2024	Metro East	SSD432	HH432E	0.14	0.00	0.14	0.14	Solar PV	1x 110 kVA Sungrow Power Supply Co Ltd SG110CX (AS4777-2 2020),1x 29.9 kVA Sungrow Power Supply Co Ltd SG30CX (AS4777-2 2020)	N/A	N/A	11/0.433	200 kVA	Type A	Unity	Type 4	Export
18	19/09/2024	Riverland	SSD166	BM35	1.90	0.00	1.90	0.20	Solar PV	19x 100 kVA Fronius Australia Pty Ltd Tauro Eco 100-3-P (AS4777-2 2020)	N/A	N/A	11/0.433	2000 kVA	Type B	Unity	Type 4	Export
19	18/09/2024	Metro North	SSD744	SA744A	0.77	0.00	0.77	0.00	Solar PV	7x 110 kVA Sungrow Power Supply Co Ltd SG110CX (AS4777-2 2020)	N/A	N/A	11/0.433	2000 kVA	Type B	Unity	Type 4	Non Export
20	17/09/2024	Metro West	SSD829	AP829N	1.01	0.00	1.01	0.20	Solar PV	5x 82.8 kVA SolarEdge Technologies Ltd SE82.8K,6x 100 kVA SolarEdge Technologies Ltd SE100K (AS4777-2 2020)	N/A	N/A	11/0.433	1500 kVA	Type B		Type 4	Export
21	12/09/2024	Metro West	SSD520	SA520B	0.18	0.00	0.18	0.10	Solar PV	3x 33 kVA Shenzhen SOFARSOLAR Co Ltd SOFAR 33000TL-Sx Series,1x 50 kVA Sungrow Power Supply Co Ltd SG50CX (AS4777-2 2020),1x 29.9 kVA Sungrow Power Supply Co Ltd SG30CX (AS4777-2 2020)	N/A	N/A	11/0.433	2000 kVA	Type A	Unity	Type 4	Export
22	12/09/2024	Metro West	SSD351	AP351C	0.08	0.00	0.08	0.08	Solar PV + Storage	1x 29.9 kVA NingBo Deye Inverter Technology Co Ltd SUN-29.9K-SG01HP3-AU-BM3 (AS4777-2 2020),1x 27 kVA Fronius Australia 27.0-3-S,1x 25 kVA Fronius Australia ECO 25.0-3-S	N/A	N/A	11/0.433	500 kVA	Type A	Unity	Type 4	Export
23	12/09/2024	Murraylands	SSD815	SD43200	4.95	0.00	4.95	4.85	Solar PV	1x 4950 kVA ABB Fimer FIMER PVS980-58-4782kVA-K	N/A	N/A	33		Type C		Type 2	Export
24	10/09/2024	CBD	SSD353	CBD353B	0.09	0.00	0.09	0.09	Solar PV	3x 29.9 kVA GoodWe Technologies Co Ltd GW29.9K-MT (AS4777-2 2020)	N/A	N/A	11/0.433	1000 kVA	Type A	Unity	Type 4	Export

No.	Connection Date	Region	Substation	Feeder ID	Inverter Installed Capacity (MVA)	Rotating Installed Capacity (MVA)	Total Installed Capacity (MVA)	Allowable Export (MW)	Generation Fuel	Generating Unit Make & Model	Fault Contributions		Transformer Info		Protection and communication systems	Power Factor Control and/or Reactive Power Capability	Single Line Diagram of the Connection Arrangement	Export Details
											At Connection Point	Ph-Ground	Voltage (kV)	Rating				
25	9/09/2024	Murraylands	SSD268	MB32	0.10	0.00	0.10	0.08	Solar PV	3x 25 kVA SMA Australia Pty Ltd STP25000TL-30, 1x 25 kVA SMA Australia Pty Ltd STP25000TL-30	N/A	N/A	11/0.433	315 kVA	Type A		Type 4	Export
26	29/08/2024	Metro South	SSD402	SM402C	0.20	0.00	0.20	0.16	Solar PV + Storage	2x 5 kVA SMA Solar Technology AG SB5000TL-20, 1x 110 kVA Delta Electronics Inc PCS100HV (AS4777-2 2020), 1x 5 kVA Fronius Australia Primo 5.0-1, 1x 15 kVA Fronius International GmbH Symo 15.0-3-M, 2x 29.9 kVA Sungrow Power Supply Co Ltd SG30CX (AS4777-2 2020)	N/A	N/A	11/0.433	300 kVA	Type A	Unity	Type 4	Export
27	20/08/2024	Metro West	SSD829	AP829K	0.16	0.00	0.16	0.16	Solar PV	1x 50 kVA Sungrow Power Supply Co Ltd SG50CX (AS4777-2 2020), 1x 110 kVA Sungrow Power Supply Co Ltd SG110CX (AS4777-2 2020)	N/A	N/A	11/0.433	1500 kVA	Type A	Unity	Type 4	Export
28	20/08/2024	Metro North	SSD407	SA11	0.15	0.00	0.15	0.08	Solar PV	1x 100 kVA SolarEdge Technologies Ltd SE100K (AS4777-2 2020), 1x 50 kVA SolarEdge Technologies Ltd SE50K (AS4777-2 2020)	N/A	N/A	11/0.433	1500 kVA	Type A	Unity	Type 4	Export
29	15/08/2024	Metro South	SSD179	SM179B	0.14	0.00	0.14	0.13	Solar PV + Storage	1x 110 kVA Delta Electronics Inc PCS100HV (AS4777-2 2020), 1x 15 kVA SMA Australia Pty Ltd STP 15000TL-10	N/A	N/A	11/0.433	500 kVA	Type A	Unity	Type 4	Export
30	13/08/2024	Metro North	SSD744	SA744C	0.08	0.00	0.08	0.09	Solar PV	1x 55 kVA GoodWe Technologies Co Ltd GW50KN-MT (AS4777-2 2020), 1x 29.9 kVA Jiangsu GoodWe Power Supply Technology Co Ltd GW29.9K-MT	N/A	N/A	11/0.433	200 kVA	Type A	Unity	Type 4	Export
31	5/08/2024	Metro North	SSD422	EL03	0.08	0.00	0.08	0.08	Solar PV	1x 27 kVA Fronius Australia Pty Ltd Eco 27.0-3-S (AS4777-2 2020), 2x 25 kVA Fronius Australia Pty Ltd Eco 25.0-3-S (AS4777-2 2020)	N/A	N/A	11/0.433	750 kVA	Type A	Unity	Type 4	Export
32	1/08/2024	Metro East	SSD432	HH432D	0.10	0.00	0.10	0.10	Solar PV	1x 100 kVA Fronius Australia Pty Ltd Tauro Eco 100-3-D (AS4777-2 2020)	N/A	N/A	11/0.433	200 kVA	Type A	Unity	Type 4	Export
33	1/08/2024	Metro North	SSD184	EL19	0.08	0.00	0.08	0.00	Solar PV	2x 27 kVA Fronius Australia Pty Ltd Eco 27.0-3-S (AS4777-2 2020), 1x 27 kVA Fronius Australia Pty Ltd Eco 27.0-3-S (AS4777-2 2020)	N/A	N/A	11/0.433	200 kVA	Type A	Unity	Type 4	Export
34	30/07/2024	Metro South	SSD179	SM179A	0.11	0.00	0.11	0.10	Solar PV	1x 110 kVA Sungrow Power Supply Co Ltd SG110CX (AS4777-2 2020)	N/A	N/A	11/0.433	750 kVA	Type A	Unity	Type 4	Export
35	24/07/2024	Murraylands	SSD151	MB11	0.07	0.00	0.07	0.07	Solar PV	1x 50 kVA Sungrow Power Supply Co Ltd SG50CX (AS4777-2 2020), 1x 20 kVA Sungrow Power Supply Co Ltd SG20RT (AS4777-2 2020)	N/A	N/A	11/0.433	500 kVA	Type A	Unity	Type 4	Export
36	23/07/2024	Murraylands	SSD405	SD39300	4.95	0.00	4.95	4.45	Solar PV + Storage	1x 4950 kVA Sungrow SG4950HV-MV	N/A	N/A	33		Type C		Type 2	Export
37	11/07/2024	Metro North	SSD407	SA20	0.06	0.00	0.06	0.02	Solar PV + Storage	1x 5 kVA Fronius Australia Pty Ltd Symo 5.0-3-M (AS4777-2 2020), 1x 29.9 kVA GoodWe Technologies Co Ltd GW29.9K-ET (AS4777-2 2020), 1x 27 kVA Fronius Australia Pty Ltd Eco 27.0-3-S (AS4777-2 2020)	N/A	N/A	11/0.433	200 kVA	Type A	Unity	Type 4	Export
38	11/07/2024	Upper North	SSD396	SD32301	4.60	0.00	4.60	4.60	Solar PV + Storage	1x 4600 kVA SMA Solar Technology Ag SC 4600 UP	0	0	33		Type C		Type 2	Export
39	10/07/2024	Metro West	SSD347	ME347H	0.11	0.00	0.11	0.00	Solar PV	1x 114 kVA Unknown Unknown	N/A	N/A	11		Type A		Type 2	Non Export
40	27/06/2024	Metro East	SSD386	HH386C	0.11	0.00	0.11	0.11	Solar PV	1x 110 kVA Sungrow Power Supply Co Ltd SG110CX (AS4777-2 2020)	N/A	N/A	11/0.433	500 kVA	Type A	Unity	Type 4	Export
41	27/06/2024	Metro East	SSD386	HH386B	0.07	0.00	0.07	0.00	Solar PV	1x 66.6 kVA SolarEdge Technologies Ltd SE66.6K (AS4777-2 2020)	N/A	N/A	11/0.433	750 kVA	Type A	Unity	Type 4	Non Export
42	25/06/2024	Metro North	SSD744	SA744G	0.08	0.00	0.08	0.08	Solar PV + Storage	3x 10 kVA Fronius Australia Pty Ltd Symo GEN24 10.0 Plus (AS4777-2 2020), 1x 50 kVA Fronius Australia Pty Ltd Tauro Eco 50-3-D (AS4777-2 2020)	N/A	N/A	11/0.433	1500 kVA	Type A		Type 4	Export
43	20/06/2024	Metro West	SSD510	AP510D	0.10	0.00	0.10	0.10	Solar PV	2x 50 kVA Sungrow Power Supply Co Ltd SG50CX	N/A	N/A	11/0.433	1000 kVA	Type A		Type 4	Export
44	20/06/2024	Metro South	SSD111	NL111P	1.05	0.00	1.05	0.92	Solar PV + Storage	2x 50 kVA (ABB) Power-One Italy S.p.A TRIO-TM-50.0-400, 5x 100 kVA Delta Electronics Inc PCS100 (AS4777-2 2020), 1x 50 kVA (ABB) Power-One Italy S.p.A TRIO-TM-50.0-400	0	0	11/0.433	2000 kVA	Type C		Type 4	Export
45	20/06/2024	Metro West	SSD344	AP344E	0.11	0.00	0.11	0.11	Solar PV	1x 110 kVA Sungrow Power Supply Co Ltd SG110CX (AS4777-2 2020)	N/A	N/A	11/0.433	500 kVA	Type A	Unity	Type 4	Export

No.	Connection Date	Region	Substation	Feeder ID	Inverter Installed Capacity (MVA)	Rotating Installed Capacity (MVA)	Total Installed Capacity (MVA)	Allowable Export (MW)	Generation Fuel	Generating Unit Make & Model	Fault Contributions		Transformer Info		Protection and communication systems	Power Factor Control and/or Reactive Power Capability	Single Line Diagram of the Connection Arrangement	Export Details
											At Connection Point	Ph-Ground	Voltage (kV)	Rating				
46	14/06/2024	Metro North	SSD422	EL03	0.20	0.00	0.20	0.20	Solar PV	2x 100 kVA Fronius Australia Pty Ltd Tauro Eco 100-3-D (AS4777-2 2020)	N/A	N/A	11/0.433	500 kVA	Type C	Unity	Type 4	Export
47	13/06/2024	Metro South	SSD200	ME200F	0.06	0.00	0.06	0.06	Solar PV + Storage	1x 50 kVA Sungrow Power Supply Co Ltd SG50CX (AS4777-2 2020), 1x 9.999 kVA Sungrow Power Supply Co Ltd SH10RT (AS4777-2 2020)	N/A	N/A	11/0.433	300 kVA	Type A	Unity	Type 4	Export
48	13/06/2024	Metro South	SSD111	NL111B	0.10	0.00	0.10	0.10	Solar PV	1x 100 kVA Fronius Australia Pty Ltd Tauro Eco 100-3-D (AS4777-2 2020)	N/A	N/A	11/0.433	750 kVA	Type A	Unity	Type 4	Export
49	6/06/2024	Metro East	SSD103	CBD103E	0.10	0.00	0.10	0.10	Solar PV + Storage	1x 4.6 kVA SMA Australia Pty Ltd SB5000TL-21, 1x 30 kVA SolarEdge Technologies Ltd SE30K (AS4777-2 2020), 1x 15 kVA SolarEdge Technologies Ltd SE15K, 1x 5 kVA Tesla Inc AC Powerwall (AS4777-2 2020), 1x 27.6 kVA SolarEdge Technologies Ltd SE27.6K	N/A	N/A	11/0.433	500 kVA	Type A	Unity	Type 4	Export
50	6/06/2024	CBD	SSD367	CBD367Q	0.19	0.00	0.19	0.19	Solar PV	1x 29.9 kVA Sungrow Power Supply Co Ltd SG30CX (AS4777-2 2020), 1x 50 kVA Sungrow Power Supply Co Ltd SG50CX (AS4777-2 2020), 1x 110 kVA Sungrow Power Supply Co Ltd SG110CX (AS4777-2 2020)	N/A	N/A	11/0.433	1500 kVA	Type A	Unity	Type 4	Export
51	3/06/2024	CBD	SSD367	CBD367U	0.11	0.00	0.11	0.11	Solar PV	1x 110 kVA Sungrow Power Supply Co Ltd SG110CX (AS4777-2 2020)	N/A	N/A	11/0.433	1000 kVA	Type A	Unity	Type 4	Export
52	29/05/2024	Metro North	SSD407	SA19	0.66	0.00	0.66	0.00	Solar PV	6x 110 kVA Sungrow Power Supply Co Ltd SG110CX (AS4777-2 2020)	N/A	N/A	11/0.433	2000 kVA	Type B	Unity	Type 4	Non Export
53	28/05/2024	Mid North	SSD230	GA50	0.16	0.00	0.16	0.13	Solar PV	1x 50 kVA Sungrow Power Supply Co Ltd SG50CX (AS4777-2 2020), 1x 110 kVA Sungrow Power Supply Co Ltd SG110CX (AS4777-2 2020)	N/A	N/A	11/0.433	1500 kVA	Type A	Unity	Type 4	Export
54	28/05/2024	Metro North	SSD407	SA13	0.66	0.00	0.66	0.20	Solar PV	6x 110 kVA Sungrow Power Supply Co Ltd SG110CX (AS4777-2 2020)	N/A	N/A	11		Type C	Unity	Type 2	Export
55	16/05/2024	South East	SSD339	SD48200	0.07	0.00	0.07	0.07	Solar PV	2x 33.3 kVA SolarEdge Technologies Ltd SE33.3K (AS4777-2 2020)	N/A	N/A	33/0.433	200 kVA	Type A	Unity	Type 4	Export
56	16/05/2024	South East	SSD195	MG43	0.09	0.00	0.09	0.09	Solar PV	1x 20 kVA Sungrow Power Supply Co Ltd SG20RT (AS4777-2 2020), 1x 50 kVA Sungrow Power Supply Co Ltd SG50CX (AS4777-2 2020), 1x 15 kVA SMA Australia Pty Ltd STP 15000TL-10	N/A	N/A	11/0.433	750 kVA	Type A	Unity	Type 4	Export
57	15/05/2024	Metro South	SSD234	NL234C	0.38	0.00	0.38	0.20	Solar PV	1x 82.8 kVA SolarEdge Technologies Ltd SE82.8K (AS4777-2 2020), 3x 100 kVA SolarEdge Technologies Ltd SE100K (AS4777-2 2020)	N/A	N/A	11/0.433	2000 kVA	Type B	Unity	Type 4	Export
58	15/05/2024	Metro West	SSD347	ME347G	0.10	0.00	0.10	0.10	Solar PV + Storage	1x 5 kVA SolarEdge Technologies Ltd SE5000H-BPV (AS4777-2 2020), 1x 82.8 kVA SolarEdge Technologies Ltd SE82.8K (AS4777-2 2020), 2x 7.4 kVA Wallbox QSA1-0-J-2-4-002A	N/A	N/A	11/0.433	1000 kVA	Type A		Type 4	Export
59	15/05/2024	South East	SSD158	NA01	0.11	0.00	0.11	0.11	Solar PV	1x 110 kVA Sungrow Power Supply Co Ltd SG110CX (AS4777-2 2020)	N/A	N/A	11/0.433	750 kVA	Type A	Unity	Type 4	Export
60	10/05/2024	Upper North	SSD187	PA01	0.11	0.00	0.11	0.11	Solar PV	1x 110 kVA Sungrow Power Supply Co Ltd SG110CX (AS4777-2 2020)	N/A	N/A	11/0.433	500 kVA	Type A	Unity	Type 4	Export
61	9/05/2024	Metro North	SSD407	SA12	0.12	0.00	0.12	0.11	Solar PV + Storage	1x 5 kVA Tesla Inc AC Powerwall (AS4777-2 2020), 1x 110 kVA SMA AUSTRALIA PTY LTD STP 110-60 (AS4777-2 2020)	N/A	N/A	11/0.433	315 kVA	Type A	Unity	Type 4	Export
62	9/05/2024	Metro South	SSD234	NL234B	0.11	0.00	0.11	0.10	Solar PV	1x 110 kVA Sungrow Power Supply Co Ltd SG110CX (AS4777-2 2020)	N/A	N/A	11/0.433	315 kVA	Type A		Type 4	Export
63	6/05/2024	Metro North	SSD273	EL28	0.20	0.00	0.20	0.08	Solar PV	1x 50 kVA SolarEdge Technologies Ltd SE50K (AS4777-2 2020), 1x 82.8 kVA SolarEdge Technologies Ltd SE82.8K, 1x 66.6 kVA SolarEdge Technologies Ltd SE66.6K (AS4777-2 2020)	N/A	N/A	11/0.433	1000 kVA	Type A	Unity	Type 4	Export
64	1/05/2024	Metro East	SSD409	HH409C	0.08	0.00	0.08	0.08	Solar PV	1x 50 kVA Sungrow Power Supply Co Ltd SG50CX (AS4777-2 2020), 1x 29.9 kVA Sungrow Power Supply Co Ltd SG30CX (AS4777-2 2020)	N/A	N/A	11/0.433	1500 kVA	Type A	Unity	Type 4	Export
65	1/05/2024	Metro South	SSD511	NL511A	0.20	0.00	0.20	0.20	Solar PV	2x 99.99 kVA JIANGSU GOODWE POWER SUPPLY TECHNOLOGY CO LTD GW100K-HT (AS4777-2 2020)	N/A	N/A	11/0.433	500 kVA	Type A	Unity	Type 4	Export
66	24/04/2024	Fleurieu Peninsula	SSD368	VH15	0.16	0.00	0.16	0.16	Solar PV	1x 110 kVA Sungrow Power Supply Co Ltd SG110CX (AS4777-2 2020), 1x 50 kVA Sungrow Power Supply Co Ltd SG50CX (AS4777-2 2020)	N/A	N/A	11/0.433	750 kVA	Type A	Unity	Type 4	Export

No.	Connection Date	Region	Substation	Feeder ID	Inverter Installed Capacity (MVA)	Rotating Installed Capacity (MVA)	Total Installed Capacity (MVA)	Allowable Export (MW)	Generation Fuel	Generating Unit Make & Model	Fault Contributions		Transformer Info		Protection and communication systems	Power Factor Control and/or Reactive Power Capability	Single Line Diagram of the Connection Arrangement	Export Details
											At Connection Point	Ph-Ground	Voltage (kV)	Rating				
67	24/04/2024	Metro South	SSD402	SM402E	0.10	0.00	0.10	0.10	Solar PV	1x 99.99 kVA GoodWe Technologies Co Ltd GW100K-HT (AS4777-2 2020)	N/A	N/A	11/0.433	750 kVA	Type A	Unity	Type 4	Export
68	18/04/2024	Eastern Hills	SSD241	SG07	0.06	0.00	0.06	0.06	Solar PV	2x 30 kVA Ginlong Technologies Co Ltd S5-GC30K-AU (AS4777-2 2020)	N/A	N/A	11/0.433	500 kVA	Type A	Unity	Type 4	Export
69	16/04/2024	Metro North	SSD129	SA33	0.10	0.00	0.10	0.10	Solar PV	1x 100 kVA Fronius Australia Pty Ltd Tauro Eco 100-3-D (AS4777-2 2020)	N/A	N/A	11/0.433	500 kVA	Type A	Unity	Type 4	Export
70	10/04/2024	Metro East	SSD118	HH118D	0.07	0.00	0.07	0.07	Solar PV	1x 20 kVA Fronius International GmbH Symo 20.0-3-M, 2x 27 kVA Fronius Australia ECO 27.0-3-S	N/A	N/A	11/0.433	300 kVA	Type A	Unity	Type 4	Export
71	10/04/2024	Metro South	SSD216	SM216B	0.09	0.00	0.09	0.09	Solar PV	1x 29.9 kVA GoodWe Technologies Co Ltd GW29.9K-MT (AS4777-2 2020), 1x 60 kVA GoodWe Technologies Co Ltd GW60KN-MT (AS4777-2 2020)	N/A	N/A	11/0.433	1000 kVA	Type A	Unity	Type 4	Export
72	4/04/2024	Metro South	SSD511	NL511A	0.09	0.00	0.09	0.09	Solar PV	3x 30 kVA SolarEdge Technologies Ltd SE30K (AS4777-2 2020)	N/A	N/A	11/0.433	750 kVA	Type A	Unity	Type 4	Export
73	3/04/2024	Metro South	SSD179	SM179B	0.06	0.00	0.06	0.02	Solar PV	1x 25 kVA SolarEdge Technologies Ltd SE25K, 1x 30 kVA SolarEdge Technologies Ltd SE30K (AS4777-2 2020)	N/A	N/A	11/0.433	500 kVA	Type A		Type 4	Export
74	27/03/2024	Riverland	SSD420	BM52	0.14	0.00	0.14	0.00	Solar PV	1x 110 kVA Sungrow Power Supply Co Ltd SG110CX (AS4777-2 2020), 1x 29.9 kVA Sungrow Power Supply Co Ltd SG30CX (AS4777-2 2020)	N/A	N/A	11/0.433	1500 kVA	Type A	Unity	Type 4	Non Export
75	27/03/2024	Riverland	SSD420	BM54	0.55	0.00	0.55	0.20	Solar PV	5x 110 kVA Sungrow Power Supply Co Ltd SG110CX (AS4777-2 2020)	N/A	N/A	11/0.433	2000 kVA	Type C	Unity	Type 4	Export
76	21/03/2024	Metro West	SSD125	AP125C	0.10	0.00	0.10	0.10	Solar PV	1x 100 kVA SolarEdge Technologies Ltd SE100K (AS4777-2 2020)	N/A	N/A	11/0.433	500 kVA	Type A		Type 4	Export
77	19/03/2024	Metro East	SSD429	HH429D	0.10	0.00	0.10	0.10	Solar PV	2x 50 kVA Sungrow Power Supply Co Ltd SG50CX (AS4777-2 2020)	N/A	N/A	11/0.433	1500 kVA	Type A	Unity	Type 4	Export
78	19/03/2024	Metro South	SSD131	ME131A	0.11	0.00	0.11	0.11	Solar PV	1x 110 kVA Sungrow Power Supply Co Ltd SG110CX (AS4777-2 2020)	N/A	N/A	11/0.433	2000 kVA	Type A	Unity	Type 4	Export
79	15/03/2024	Metro East	SSD428	HH428F	0.05	0.00	0.05	0.02	Solar PV	1x 29.9 kVA Sungrow Power Supply Co Ltd SG30CX (AS4777-2 2020), 1x 20 kVA Shenzhen SOFARSOLAR Co Ltd SOFAR 20000TL-Sx Series	N/A	N/A	11/0.433	315 kVA	Type A		Type 4	Export
80	14/03/2024	Riverland	SSD420	BM56	0.11	0.00	0.11	0.07	Solar PV	1x 110 kVA GoodWe Technologies Co Ltd GW110K-HT (AS4777-2 2020)	N/A	N/A	11/0.433	750 kVA	Type A	Unity	Type 4	Export
81	13/03/2024	Metro East	SSD102	HH102D	0.11	0.00	0.11	0.01	Solar PV + Storage	23x 4.6 kVA SONNEN AUSTRALIA PTY LIMITED sonnenBatterie Hybrid 9.53/10 (AS4777-2 2020)	N/A	N/A	11/0.433	315 kVA	Type A		Type 4	Export
82	7/03/2024	Metro North	SSD273	EL15	0.06	0.00	0.06	0.03	Solar PV	2x 29.9 kVA GoodWe Technologies Co Ltd GW29.9K-MT (AS4777-2 2020)	N/A	N/A	11/0.433	200 kVA	Type A	Unity	Type 4	Export
83	5/03/2024	Yorke Peninsula	SSD201	MT22	0.07	0.00	0.07	0.07	Solar PV	1x 66.6 kVA SolarEdge Technologies Ltd SE66.6K (AS4777-2 2020)	N/A	N/A	11/0.433	315 kVA	Type A	Unity	Type 4	Export
84	5/03/2024	Yorke Peninsula	SSD780	SD34201	0.11	0.00	0.11	0.11	Solar PV	1x 110 kVA Sungrow Power Supply Co Ltd SG110CX (AS4777-2 2020)	N/A	N/A	33/0.433	200 kVA	Type A	Unity	Type 4	Export
85	4/03/2024	Metro West	SSD355	AP355H	0.08	0.00	0.08	0.08	Solar PV	1x 82.8 kVA SolarEdge Technologies Ltd SE82.8K (AS4777-2 2020)	N/A	N/A	11/0.433	315 kVA	Type A	Unity	Type 4	Export
86	29/02/2024	Metro West	SSD829	AP829K	0.08	0.00	0.08	0.02	Solar PV	1x 50 kVA Sungrow Power Supply Co Ltd SG50CX (AS4777-2 2020), 1x 30 kVA Jiangsu Zeversolar New Energy Co Ltd Pro 30K	N/A	N/A	11/0.433	750 kVA	Type A	Unity	Type 4	Export
87	29/02/2024	Metro West	SSD425	AP425D	0.08	0.00	0.08	0.08	Solar PV	3x 25 kVA Fronius Australia Pty Ltd Eco 25.0-3-S (AS4777-2 2020)	N/A	N/A	11/0.433	1000 kVA	Type A	Unity	Type 4	Export
88	29/02/2024	Barossa	SSD150	NU01	0.11	0.00	0.11	0.11	Solar PV	1x 110 kVA Sungrow Power Supply Co Ltd SG110CX (AS4777-2 2020)	N/A	N/A	11		Type A	Unity	Type 2	Export
89	21/02/2024	Yorke Peninsula	SSD776	SD51200	4.95	0.00	4.95	4.95	Solar PV	1x 4950 kVA Sungrow SG4950HV-MV	0	0	33		Type C		Type 2	Export
90	19/02/2024	Eyre Peninsula	SSD265	CV08	0.06	0.00	0.06	0.02	Solar PV	1x 50 kVA Sungrow Power Supply Co Ltd SG50CX (AS4777-2 2020), 1x 9.999 kVA Sungrow Power Supply Co Ltd SG10RT (AS4777-2 2020)	N/A	N/A	11/0.433	315 kVA	Type A	Unity	Type 4	Export
91	15/02/2024	Southern Rural	SSD171	VH32	0.11	0.00	0.11	0.11	Solar PV	1x 110 kVA Sungrow Power Supply Co Ltd SG110CX (AS4777-2 2020)	N/A	N/A	11/0.433	315 kVA	Type A	Unity	Type 4	Export
92	15/02/2024	Metro West	SSD829	AP829K	0.16	0.00	0.16	0.14	Solar PV + Storage	1x 50 kVA Sungrow Power Supply Co Ltd SC50HV (AS4777-2 2020), 1x 110 kVA SUNGROW AUSTRALIA GROUP PTY LTD SC110CX	N/A	N/A	11/0.433	500 kVA	Type A	Unity	Type 4	Export
93	14/02/2024	Metro South	SSD451	NL451B	0.11	0.00	0.11	0.00	Solar PV	1x 110 kVA Sungrow Power Supply Co Ltd SG110CX (AS4777-2 2020)	N/A	N/A	11/0.433	2000 kVA	Type A	Unity	Type 4	Non Export

No.	Connection Date	Region	Substation	Feeder ID	Inverter Installed Capacity (MVA)	Rotating Installed Capacity (MVA)	Total Installed Capacity (MVA)	Allowable Export (MW)	Generation Fuel	Generating Unit Make & Model	Fault Contributions		Transformer Info		Protection and communication systems	Power Factor Control and/or Reactive Power Capability	Single Line Diagram of the Connection Arrangement	Export Details
											At Connection Point	Ph-Ground	Voltage (kV)	Rating				
94	13/02/2024	South East	SSD195	MG45	0.05	0.00	0.05	0.00	Solar PV	1x 50 kVA SolarEdge Technologies Ltd SE50K (AS4777-2 2020)	N/A	N/A	11/0.433	500 kVA	Type A	Unity	Type 4	Non Export
95	9/02/2024	Mid North	SSD745	GA745A	0.04	0.00	0.04	0.02	Solar PV + Storage	1x 15 kVA GoodWe Technologies Co Ltd GW15KAU-DT (AS4777-2 2020), 1x 5 kVA Alpha ESS Co Ltd SMILE-G3-B5-INV (AS4777-2 2020)	N/A	N/A	11/0.433	300 kVA	Type A		Type 4	Export
96	8/02/2024	Metro East	SSD130	HH130B	0.07	0.00	0.07	0.02	Solar PV	1x 27 kVA Fronius Australia Pty Ltd Eco 27.0-3-S (AS4777-2 2020), 2x 20 kVA Fronius Australia Pty Ltd Symo 20.0-3-M (AS4777-2 2020)	N/A	N/A	11/0.433	200 kVA	Type A		Type 4	Export
97	8/02/2024	Metro East	SSD121	HH121F	0.07	0.00	0.07	0.02	Solar PV + Storage	6x 5 kVA Tesla Motors Australia Pty Ltd AC Powerwall, 2x 20 kVA SMA AUSTRALIA PTY LTD STP20000TL-30	N/A	N/A	11/0.433	315 kVA	Type A		Type 4	Export
98	8/02/2024	Metro South	SSD231	ME231F	0.10	0.00	0.10	0.02	Solar PV	1x 100 kVA Huawei Technologies Co Ltd SUN2000-100kTL-M1	N/A	N/A	11/0.433	300 kVA	Type A		Type 4	Export
99	8/02/2024	Fleurieu Peninsula	SSD340	VH22	0.08	0.00	0.08	0.02	Solar PV	15x 5 kVA Fronius Australia Pty Ltd Primo 5.0-1 (AS4777-2 2020)	N/A	N/A	11/0.433	750 kVA	Type A		Type 4	Export
100	8/02/2024	Murraylands	SSD306	SD40102	4.98	0.00	4.98	0.02	Solar PV + Storage	21x 175 kVA (ABB) Power-One Italy S.p.A PVS-175-TL1-WB-SX2-IFANNMN, 1x 1300 kVA Tesla Motors Australia Pty Ltd Megapack 2	N/A	N/A	33		Type B		Type 2	Export
101	8/02/2024	Yorke Peninsula	SSD780	SD34201	4.98	0.00	4.98	0.02	Solar PV + Storage	1x 1300 kVA Tesla Motors Australia Pty Ltd Megapack 2, 21x 175 kVA (ABB) Power-One Italy S.p.A PVS-175-TL1-WB-SX2-IFANNMN	N/A	N/A	33		Type B		Type 2	Export
102	8/02/2024	Fleurieu Peninsula	SSD368	VH11	0.06	0.00	0.06	0.06	Solar PV	2x 30 kVA Gintong Technologies Co Ltd S5-GC30K-AU (AS4777-2 2020)	N/A	N/A	11/0.433	750 kVA	Type A	Unity	Type 4	Export
103	8/02/2024	Metro South	SSD116	ME116B	0.08	0.00	0.08	0.08	Solar PV	1x 82.8 kVA SolarEdge Technologies Ltd SE82.8K (AS4777-2 2020)	N/A	N/A	11/0.433	500 kVA	Type A	Unity	Type 4	Export
104	8/02/2024	CBD	SSD367	CBD367D	0.33	0.00	0.33	0.02	Solar PV	3x 110 kVA Sungrow Power Supply Co Ltd SG110CX	N/A	N/A	11/0.433	1500 kVA	Type B		Type 4	Export
105	7/02/2024	Eastern Hills	SSD777	MTB12	0.05	0.00	0.05	0.05	Solar PV	1x 25 kVA GoodWe Technologies Co Ltd GW25K-MT (AS4777-2 2020)	N/A	N/A	11/0.433	500 kVA	Type A	Unity	Type 4	Export
106	6/02/2024	Metro South	SSD131	ME131E	0.22	0.00	0.22	0.10	Solar PV	2x 110 kVA Sungrow Power Supply Co Ltd SG110CX (AS4777-2 2020)	N/A	N/A	11/0.433	300 kVA	Type B		Type 4	Export
107	5/02/2024	Metro North	SSD407	SA17	0.15	0.00	0.15	0.18	Solar PV	1x 27 kVA Fronius Australia 27.0-3-S, 2x 27 kVA Fronius Australia 27.0-3-S, 3x 15 kVA Fronius International GmbH Symo 15.0-3-M	N/A	N/A	11/0.433	200 kVA	Type A		Type 4	Export
108	5/02/2024	Murraylands	SSD389	MB22	0.06	0.00	0.06	0.06	Solar PV + Storage	1x 29.9 kVA Sungrow Power Supply Co Ltd SG30CX (AS4777-2 2020), 3x 9.999 kVA Sungrow Power Supply Co Ltd SH10RT (AS4777-2 2020)	N/A	N/A	11/0.433	300 kVA	Type A	Unity	Type 4	Export
109	1/02/2024	Riverland	SSD235	LX41	0.05	0.00	0.05	0.05	Solar PV + Storage	1x 10 kVA SMA Solar Technology AG STP 10000TL-10, 1x 5 kVA Tesla Inc AC Powerwall (AS4777-2 2020)	N/A	N/A	11/0.433	100 kVA	Type A	Unity	Type 4	Export
110	25/01/2024	Metro East	SSD121	HH121F	0.11	0.00	0.11	0.11	Solar PV	1x 110 kVA Sungrow Power Supply Co Ltd SG110CX (AS4777-2 2020)	N/A	N/A	11/0.433	300 kVA	Type A	Unity	Type 4	Export
111	23/01/2024	Metro West	SSD829	AP829H	0.20	0.00	0.20	0.20	Solar PV	2x 100 kVA (ABB) Power-One Italy S.p.A PVS-100-TL	N/A	N/A	11/0.433	1500 kVA	Type C		Type 4	Export
112	23/01/2024	Metro North	SSD129	SA38	4.87	0.00	4.87	3.97	Storage	4x 1217 kVA Hitachi Energy PowerStore PS1000	N/A	N/A	11		Type C		Type 2	Export
113	18/01/2024	Metro North	SSD422	EL04	0.08	0.00	0.08	0.08	Solar PV	3x 27 kVA Fronius Australia Pty Ltd Eco 27.0-3-S (AS4777-2 2020)	N/A	N/A	11		Type A	Unity	Type 2	Export
114	17/01/2024	Yorke Peninsula	SSD305	KA29	0.11	0.00	0.11	0.11	Solar PV + Storage	3x 4.6 kVA SONNEN AUSTRALIA PTY LIMITED sonnenBatterie Hybrid 9.53/10 (AS4777-2 2020), 2x 25 kVA SMA Australia Pty Ltd STP25000TL-30, 1x 15 kVA SMA Australia Pty Ltd STP15000TL-30, 1x 4 kVA SMA Solar Technology AG SB4000TL-20, 1x 5 kVA SMA Solar Technology AG SB5000TL-20, 1x 20 kVA SMA Australia Pty Ltd STP20000TL-30	N/A	N/A	11/0.433	500 kVA	Type A	Unity	Type 4	Export
115	16/01/2024	Metro West	SSD132	AP132E	0.32	0.00	0.32	0.32	Solar PV	2x 110 kVA Sungrow Power Supply Co Ltd SG110CX-P2 (AS4777-2 2020), 1x 25 kVA Fronius Australia 25.0-3-S	N/A	N/A	11/0.433	750 kVA	Type C		Type 4	Export
116	10/01/2024	Metro South	SSD402	SM402D	0.06	0.00	0.06	0.06	Solar PV + Storage	1x 20 kVA Fronius International GmbH Symo 20.0-3-M, 1x 4 kVA SMA Solar Technology AG SB4000TL-	N/A	N/A	11/0.433	315 kVA	Type A	Unity	Type 4	Export

No.	Connection Date	Region	Substation	Feeder ID	Inverter Installed Capacity (MVA)	Rotating Installed Capacity (MVA)	Total Installed Capacity (MVA)	Allowable Export (MW)	Generation Fuel	Generating Unit Make & Model	Fault Contributions		Transformer Info		Protection and communication systems	Power Factor Control and/or Reactive Power Capability	Single Line Diagram of the Connection Arrangement	Export Details
											At Connection Point	Ph-Ground	Voltage (kV)	Rating				
										20,3x 4.6 kVA SONNEN AUSTRALIA PTY LIMITED sonnenBatterie Hybrid 9.53/10 (AS4777-2 2020)								
117	10/01/2024	Metro East	SSD428	HH428B	0.11	0.00	0.11	0.11	Solar PV	1x 110 kVA Sungrow Power Supply Co Ltd SG110CX (AS4777-2 2020)	N/A	N/A	11/0.433	500 kVA	Type A	Unity	Type 4	Export
118	9/01/2024	Eastern Hills	SSD714	GU32	0.06	0.00	0.06	0.02	Solar PV	2x 15 kVA Fronius Australia Pty Ltd Symo 15.0-3-M (AS4777-2 2020), 1x 15 kVA SolarEdge Technologies Ltd SE15K	N/A	N/A	11/0.433	200 kVA	Type A	Unity	Type 4	Export
119	9/01/2024	Metro East	SSD121	HH121C	0.11	0.00	0.11	0.11	Solar PV	1x 110 kVA Sungrow Power Supply Co Ltd SG110CX (AS4777-2 2020)	N/A	N/A	11/0.433	750 kVA	Type A	Unity	Type 4	Export
120	4/01/2024	Metro West	SSD344	AP344D	0.11	0.00	0.11	0.11	Solar PV	1x 110 kVA Sungrow Power Supply Co Ltd SG110CX (AS4777-2 2020)	N/A	N/A	11/0.433	200 kVA	Type A	Unity	Type 4	Export
121	3/01/2024	Metro South	SSD521	MV15	0.04	0.00	0.04	0.02	Solar PV + Storage	1x 10 kVA Fronius International GmbH 10.0-3-M, 1x 5 kVA Tesla Inc AC Powerwall (AS4777-2 2020), 1x 20 kVA Fronius International GmbH Symo 20.0-3-M	N/A	N/A	11/0.433	300 kVA	Type A	Unity	Type 4	Export
122	21/12/2023	Metro South	SSD231	ME231D	0.08	0.00	0.08	0.08	Solar PV	1x 82.8 kVA SolarEdge Technologies Ltd SE82.8K (AS4777-2 2020)	N/A	N/A	11/0.433	2000 kVA	Type A	Unity	Type 4	Export
123	21/12/2023	Metro North	SSD744	SA744A	4.99	0.00	4.99	4.98	Storage	2x 2494.2 kVA Ingecon Sun Storage 3660TL C450	0	0	11		Type C		Type 2	Export
124	21/12/2023	Metro West	SSD520	SA520J	0.60	0.00	0.60	0.48	Solar PV	6x 100 kVA Fronius Australia Pty Ltd Tauro Eco 100-3-D (AS4777-2 2020)	N/A	N/A	11		Type C		Type 2	Export
125	19/12/2023	Metro South	SSD111	NL111D	0.09	0.00	0.09	0.09	Solar PV	3x 29.9 kVA GoodWe Technologies Co Ltd GW29.9K-MT (AS4777-2 2020)	N/A	N/A	11/0.433	500 kVA	Type A	Unity	Type 4	Export
126	19/12/2023	Eastern Hills	SSD247	MTB61	0.19	0.00	0.19	0.19	Solar PV	1x 100 kVA Fronius Australia Pty Ltd Tauro Eco 100-3-D (AS4777-2 2020), 1x 25 kVA SMA Solar Technology AG STP 25000TL-30, 1x 20 kVA SMA Solar Technology AG STP 20000TL-30	N/A	N/A	11/0.433	315 kVA	Type A	Unity	Type 4	Export
127	19/12/2023	Riverland	SSD287	WK21	0.16	0.00	0.16	0.02	Solar PV	1x 110 kVA Sungrow Power Supply Co Ltd SG110CX (AS4777-2 2020), 1x 50 kVA Sungrow Power Supply Co Ltd SG50CX (AS4777-2 2020)	N/A	N/A	11/0.433	500 kVA	Type A	Unity	Type 4	Export
128	14/12/2023	Metro North	SSD744	SA744C	0.08	0.00	0.08	0.00	Solar PV	3x 27 kVA Fronius Australia Pty Ltd Eco 27.0-3-S (AS4777-2 2020)	N/A	N/A	11/0.433	315 kVA	Type A	Unity	Type 4	Non Export
129	12/12/2023	Metro East	SSD432	HH432F	0.11	0.00	0.11	0.11	Solar PV	1x 110 kVA Sungrow Power Supply Co Ltd SG110CX (AS4777-2 2020)	N/A	N/A	11/0.433	315 kVA	Type A	Unity	Type 4	Export
130	7/12/2023	Metro East	SSD118	HH118B	0.22	0.00	0.22	0.04	Solar PV	2x 110 kVA Sungrow Power Supply Co Ltd SG110CX (AS4777-2 2020)	N/A	N/A	11/0.433	750 kVA	Type B	Unity	Type 4	Export
131	7/12/2023	Metro East	SSD118	HH118B	0.06	0.00	0.06	0.06	Solar PV	2x 29.9 kVA Sungrow Power Supply Co Ltd SG30CX (AS4777-2 2020)	N/A	N/A	11/0.433	500 kVA	Type A	Unity	Type 4	Export
132	7/12/2023	Metro East	SSD118	HH118B	0.11	0.00	0.11	0.10	Solar PV	1x 110 kVA Sungrow Power Supply Co Ltd SG110CX (AS4777-2 2020)	N/A	N/A	11/0.433	1000 kVA	Type A	Unity	Type 4	Export
133	5/12/2023	Metro West	SSD829	AP829D	0.80	0.00	0.80	0.00	Solar PV + Storage	6x 100 kVA Fronius Australia Pty Ltd Tauro Eco 100-3-D (AS4777-2 2020), 1x 200 kVA EVO EVO Power Neo 200	N/A	N/A	11/0.433	2000 kVA	Type B	Unity	Type 4	Non Export
134	28/11/2023	Murraylands	SSD206	LM53	0.84	1.00	1.84	0.00	Diesel Generator + Solar PV	1x 1000 kVA Cummins ELC-C1000GF, 31x 27 kVA Fronius Australia Pty Ltd Eco 27.0-3-S (AS4777-2 2020)	0.5	0.5	11/0.433	2000 kVA	Type K	Unity	Type 3	Non Export
135	24/11/2023	Metro North	SSD422	EL03	0.06	0.00	0.06	0.04	Solar PV + Storage	1x 10 kVA KACO new energy GmbH 12.0 TL3, 1x 12.5 kVA Fronius International GmbH 12.5-3-M, 1x 29.9 kVA GoodWe Technologies Co Ltd GW29.9K-ET (AS4777-2 2020)	N/A	N/A	11/0.433	200 kVA	Type A	Unity	Type 4	Export
136	20/11/2023	Metro East	SSD432	HH432E	0.10	0.00	0.10	0.10	Solar PV	1x 100 kVA SolarEdge Technologies Ltd SE100K (AS4777-2 2020)	N/A	N/A	11/0.433	500 kVA	Type A	Unity	Type 4	Export
137	16/11/2023	Upper North	SSD371	SD32200	0.19	0.00	0.19	0.19	Solar PV	1x 30 kVA Jiangsu Zeversolar New Energy Co Ltd Zeverlution Pro 33K, 1x 99.99 kVA GoodWe Technologies Co Ltd GW100K-HT (AS4777-2 2020)	N/A	N/A	33/0.433	1000 kVA	Type A	Unity	Type 4	Export
138	16/11/2023	South East	SSD198	MI32	0.16	0.00	0.16	0.10	Solar PV	1x 50 kVA Sungrow Power Supply Co Ltd SG50CX (AS4777-2 2020), 1x 110 kVA Sungrow Power Supply Co Ltd SG110CX (AS4777-2 2020)	N/A	N/A	11/0.433	750 kVA	Type A	Unity	Type 4	Export
139	14/11/2023	Metro North	SSD422	EL04	0.10	0.00	0.10	0.05	Solar PV	1x 50 kVA SMA Australia Pty Ltd STP50-41, 1x 50 kVA SMA AUSTRALIA PTY LTD STP 50-41 (AS4777-2 2020)	N/A	N/A	11/0.433	1000 kVA	Type A	Unity	Type 4	Export

No.	Connection Date	Region	Substation	Feeder ID	Inverter Installed Capacity (MVA)	Rotating Installed Capacity (MVA)	Total Installed Capacity (MVA)	Allowable Export (MW)	Generation Fuel	Generating Unit Make & Model	Fault Contributions		Transformer Info		Protection and communication systems	Power Factor Control and/or Reactive Power Capability	Single Line Diagram of the Connection Arrangement	Export Details
											At Connection Point	Ph-Ground	Voltage (kV)	Rating				
140	13/11/2023	Metro South	SSD131	ME131D	0.11	0.00	0.11	0.15	Solar PV	1x 27 kVA Fronius Australia 27.0-3-S	N/A	N/A	11/0.433	2000 kVA	Type A	Unity	Type 4	Export
141	10/11/2023	Metro East	SSD428	HH428D	0.06	0.00	0.06	0.06	Solar PV	6x 10 kVA SolarEdge Technologies Ltd SE10K-AUB (AS4777-2 2020)	N/A	N/A	11/0.433	300 kVA	Type A	Unity	Type 4	Export
142	9/11/2023	Metro East	SSD341	HH341K	0.04	0.00	0.04	0.02	Solar PV + Storage	136x 0.23 kVA Enphase Energy Australia Pty Ltd S230-60-LN-2-AU, 1x 5 kVA Tesla Inc AC Powerwall (AS4777-2 2020)	N/A	N/A	11/0.433	500 kVA	Type A		Type 4	Export
143	7/11/2023	South East	SSD140	SD45300	4.98	0.00	4.98	4.98	Solar PV + Storage	1x 1300 kVA Tesla Motors Australia Pty Ltd Megapack 2, 21x 175 kVA (ABB) Power-One Italy S.p.A PVS-175-TL1-WB-SX2-IFANNMN	N/A	N/A	33		Type C		Type 2	Export
144	31/10/2023	Metro East	SSD145	HH145B	0.10	0.00	0.10	0.01	Solar PV	1x 100 kVA SolarEdge Technologies Ltd SE100K (AS4777-2 2020)	N/A	N/A	11/0.433	500 kVA	Type A	Unity	Type 4	Export
145	31/10/2023	Metro South	SSD410	SM410A	0.11	0.00	0.11	0.11	Solar PV	1x 110 kVA Sungrow Power Supply Co Ltd SG110CX (AS4777-2 2020)	N/A	N/A	11/0.433	300 kVA	Type A	Unity	Type 4	Export
146	26/10/2023	Metro East	SSD118	HH118B	0.19	0.00	0.19	0.20	Solar PV	1x 110 kVA Sungrow Power Supply Co Ltd SG110CX (AS4777-2 2020), 157x 0.5 kVA Altenergy Power System Inc YC500A, 1x 0.25 kVA Altenergy Power System Inc YC250A	N/A	N/A	11/0.433	750 kVA	Type A	Unity	Type 4	Export
147	25/10/2023	Metro West	SSD427	ME427B	0.11	0.00	0.11	0.11	Solar PV	1x 110 kVA SUNGROW AUSTRALIA GROUP PTY LTD SC110CX	N/A	N/A	11/0.433	150 kVA	Type A	Unity	Type 4	Export
148	25/10/2023	Metro West	SSD829	AP829E	0.06	0.00	0.06	0.06	Solar PV	1x 27.6 kVA (ABB) Power-One Italy S.p.A TRIO-27.6-TL-OUTD-S2-400, 2x 15 kVA Fronius Australia Pty Ltd Symo 15.0-3-M (AS4777-2 2020)	N/A	N/A	11/0.433	300 kVA	Type A	Unity	Type 4	Export
149	25/10/2023	Murraylands	SSD815	SD43100	4.95	0.00	4.95	4.95	Solar PV + Storage	1x 4950 kVA Sungrow SG4950HV-MV	N/A	N/A	33		Type C		Type 2	Export
150	21/10/2023	Eastern Hills	SSD218	MTB51	0.11	0.00	0.11	0.09	Solar PV	1x 110 kVA Sungrow Power Supply Co Ltd SG110CX (AS4777-2 2020)	N/A	N/A	11/0.433	500 kVA	Type A	Unity	Type 4	Export
151	20/10/2023	Metro South	SSD544	NL544B	0.10	0.00	0.10	0.10	Solar PV	1x 100 kVA Fronius Australia Agilo 100.0-3	N/A	N/A	11/0.433	1000 kVA	Type A		Type 4	Export
152	18/10/2023	Metro North	SSD260	EL260C	0.08	0.00	0.08	0.08	Solar PV	4x 20 kVA Fronius Australia Pty Ltd Symo 20.0-3-M (AS4777-2 2020)	N/A	N/A	11/0.433	300 kVA	Type A	Unity	Type 4	Export
153	17/10/2023	Murraylands	SSD151	MB15	0.10	0.00	0.10	0.00	Solar PV	2x 50 kVA JIANGSU GOODWE POWER SUPPLY TECHNOLOGY CO LTD GEP50-10 (AS4777-2 2020)	N/A	N/A	11/0.433	750 kVA	Type A	Unity	Type 4	Non Export
154	17/10/2023	South East	SSD158	NA01	0.22	0.00	0.22	0.00	Solar PV	2x 110 kVA Sungrow Power Supply Co Ltd SG110CX (AS4777-2 2020)	N/A	N/A	11/0.433	750 kVA	Type B	Unity	Type 4	Non Export
155	13/10/2023	Metro West	SSD829	AP829K	0.10	0.00	0.10	0.10	Solar PV	1x 99.99 kVA JIANGSU GOODWE POWER SUPPLY TECHNOLOGY CO LTD GW100K-HT (AS4777-2 2020)	N/A	N/A	11/0.433	500 kVA	Type A		Type 4	Export
156	12/10/2023	Riverland	SSD399	BM41	1.10	0.00	1.10	0.95	Storage	2x 550 kVA Sungrow Power Supply Co Ltd SC500TL	N/A	N/A	11		Type C		Type 2	Export
157	11/10/2023	Mid North	SSD191	CL06	0.04	0.00	0.04	0.02	Solar PV	1x 15 kVA Fronius Australia Pty Ltd Symo 15.0-3-M (AS4777-2 2020), 1x 10 kVA Fronius International GmbH Symo 10.0-3-M	N/A	N/A	11/0.433	20 kVA	Type A		Type 4	Export
158	11/10/2023	Metro South	SSD402	SM402D	0.11	0.00	0.11	0.11	Solar PV	2x 55 kVA GoodWe GEP50-10 (AS4777-2 2020)	N/A	N/A	11/0.433	750 kVA	Type A	Unity	Type 4	Export
159	9/10/2023	Upper North	SSD277	KA22	0.09	0.00	0.09	0.09	Solar PV	3x 17.5 kVA Fronius International GmbH Symo 17.5-3-M, 2x 15 kVA Fronius Australia Pty Ltd Symo 15.0-3-M (AS4777-2 2020), 1x 7 kVA Fronius International GmbH Symo 7.0-3-M	N/A	N/A	11/0.433	500 kVA	Type A	Unity	Type 4	Export
160	6/10/2023	CBD	SSD366	CBD366L	0.11	0.00	0.11	0.11	Solar PV	1x 110 kVA Sungrow Power Supply Co Ltd SG110CX-P2 (AS4777-2 2020)	N/A	N/A	11/0.433	750 kVA	Type A	Unity	Type 4	Export
161	5/10/2023	Riverland	SSD398	BM12	0.41	0.00	0.41	0.08	Solar PV	4x 82.8 kVA SolarEdge Technologies Ltd SE82.8K (AS4777-2 2020), 1x 27.6 kVA SolarEdge Technologies Ltd SE27.6K	N/A	N/A	11/0.433	1500 kVA	Type B	Unity	Type 4	Export
162	27/09/2023	Eyre Peninsula	SSD803	PL803C	0.08	0.00	0.08	0.08	Solar PV	1x 27 kVA Fronius Australia Pty Ltd Eco 27.0-3-S (AS4777-2 2020), 2x 27 kVA Fronius Australia Pty Ltd Eco 27.0-3-S (AS4777-2 2020)	N/A	N/A	11/0.433	315 kVA	Type A	Unity	Type 4	Export
163	27/09/2023	Eastern Hills	SSD777	MTB13	0.22	0.00	0.22	0.20	Solar PV	2x 110 kVA Sungrow Power Supply Co Ltd SG110CX (AS4777-2 2020)	N/A	N/A	11/0.433	1500 kVA	Type B	Unity	Type 4	Export
164	25/09/2023	Eastern Hills	SSD777	MTB10	0.06	0.00	0.06	0.06	Solar PV	1x 55 kVA Sungrow SG50CX (AS4777-2 2020)	N/A	N/A	11/0.433	750 kVA	Type A	Unity	Type 4	Export
165	22/09/2023	Metro North	SSD501	SA41	0.08	0.00	0.08	0.10	Solar PV	5x 15 kVA Fronius Australia Pty Ltd Symo 15.0-3-M (AS4777-2 2020)	N/A	N/A	11/0.433	1000 kVA	Type A	Unity	Type 4	Export

No.	Connection Date	Region	Substation	Feeder ID	Inverter Installed Capacity (MVA)	Rotating Installed Capacity (MVA)	Total Installed Capacity (MVA)	Allowable Export (MW)	Generation Fuel	Generating Unit Make & Model	Fault Contributions		Transformer Info		Protection and communication systems	Power Factor Control and/or Reactive Power Capability	Single Line Diagram of the Connection Arrangement	Export Details
											At Connection Point	Ph-Ground	Voltage (kV)	Rating				
166	21/09/2023	Metro East	SSD121	HH121H	0.05	0.00	0.05	0.05	Solar PV	1x 50 kVA Sungrow Power Supply Co Ltd SG50CX (AS4777-2 2020)	N/A	N/A	11/0.433	200 kVA	Type A	Unity	Type 4	Export
167	21/09/2023	Metro East	SSD102	HH102B	0.11	0.00	0.11	0.09	Solar PV	1x 110 kVA Sungrow Power Supply Co Ltd SG110CX (AS4777-2 2020)	N/A	N/A	11/0.433	200 kVA	Type A	Unity	Type 4	Export
168	19/09/2023	Mid North	SSD230	GA22	0.20	0.00	0.20	0.10	Solar PV	1x 25 kVA Fronius Australia 25.0-3-S, 1x 25 kVA Fronius Australia Pty Ltd Eco 25.0-3-S (AS4777-2 2020)	N/A	N/A	11/0.433	500 kVA	Type B	Unity	Type 4	Export
169	14/09/2023		SSD831	MG04	0.11	0.00	0.11	0.08	Solar PV	2x 55 kVA Sungrow SG50CX (AS4777-2 2020)	N/A	N/A	11/0.433	150 kVA	Type A		Type 4	Export
170	13/09/2023	Metro North	SSD407	SA15	0.22	0.00	0.22	0.20	Solar PV	2x 110 kVA Sungrow Power Supply Co Ltd SG110CX (AS4777-2 2020)	N/A	N/A	11		Type C		Type 2	Export
171	6/09/2023	Metro West	SSD146	AP146A	0.20	0.00	0.20	0.20	Solar PV	1x 100 kVA Fronius Australia Pty Ltd Tauro Eco 100-3-D (AS4777-2 2020), 5x 20 kVA SMA Australia Pty Ltd STP20000TL-30	N/A	N/A	11/0.433	500 kVA	Type C	Unity	Type 4	Export
172	5/09/2023	Metro South	SSD411	SM411F	0.08	0.00	0.08	0.10	Solar PV	1x 27.6 kVA (ABB) Power-One Italy S.p.A TRIO-27.6-TL-OUTD-400	N/A	N/A	11/0.433	300 kVA	Type A	Unity	Type 4	Export
173	4/09/2023	South East	SSD195	MG05	0.11	0.00	0.11	0.11	Solar PV	1x 110 kVA Sungrow Power Supply Co Ltd SG110CX (AS4777-2 2020)	N/A	N/A	11/0.433	315 kVA	Type A	Unity	Type 4	Export
174	4/09/2023	Metro East	SSD121	HH121D	0.06	0.00	0.06	0.06	Solar PV	1x 55 kVA Sungrow SG50CX (AS4777-2 2020)	N/A	N/A	11/0.433	300 kVA	Type A	Unity	Type 4	Export
175	31/08/2023	Riverland	SSD122	BS0147	1.10	0.00	1.10	1.08	Storage	2x 550 kVA Sungrow Power Supply Co Ltd SC500TL	N/A	N/A	330		Type C		Type 1	Export
176	22/08/2023	Metro South	SSD210	NL210B	0.11	0.00	0.11	0.11	Solar PV	1x 110 kVA Sungrow Power Supply Co Ltd SG110CX (AS4777-2 2020)	N/A	N/A	11/0.433	750 kVA	Type A	Unity	Type 4	Export
177	22/08/2023	Metro East	SSD429	HH429B	0.11	0.00	0.11	0.11	Solar PV	1x 110 kVA Sungrow Power Supply Co Ltd SG110CX (AS4777-2 2020)	N/A	N/A	11/0.433	500 kVA	Type A	Unity	Type 4	Export
178	22/08/2023	Metro East	SSD177	HH177D	0.11	0.00	0.11	0.11	Solar PV	1x 110 kVA SUNGROW AUSTRALIA GROUP PTY LTD SC110CX	N/A	N/A	11/0.433	300 kVA	Type A	Unity	Type 4	Export
179	18/08/2023	Metro North	SSD414	EL07	0.09	0.00	0.09	0.09	Solar PV	3x 29.9 kVA GoodWe Technologies Co Ltd GW29.9K-MT (AS4777-2 2020)	N/A	N/A	11/0.433	750 kVA	Type A	Unity	Type 4	Export
180	15/08/2023	Metro North	SSD422	EL24	0.07	0.00	0.07	0.02	Solar PV	1x 50 kVA SMA Australia Pty Ltd STP 50-41 (AS4777-2 2020), 1x 20 kVA SMA Australia Pty Ltd STP20000TL-30	N/A	N/A	11/0.433	500 kVA	Type A	Unity	Type 4	Export
181	11/08/2023	CBD	SSD366	CBD366M	0.07	0.00	0.07	0.07	Solar PV	1x 66.6 kVA SolarEdge Technologies Ltd SE66.6K (AS4777-2 2020)	N/A	N/A	11/0.433	500 kVA	Type A	Unity	Type 4	Export
182	10/08/2023	Murraylands	SSD114	SD40200	4.95	0.00	4.95	3.88	Solar PV + Storage	1x 4950 kVA Sungrow SG4950HV-MV	N/A	N/A	33		Type C		Type 2	Export
183	8/08/2023	Metro North	SSD273	EL15	0.08	0.00	0.08	0.03	Solar PV	3x 25 kVA Fronius Australia Pty Ltd Eco 25.0-3-S (AS4777-2 2020)	N/A	N/A	11/0.433	63 kVA	Type A	Unity	Type 4	Export
184	8/08/2023	Metro East	SSD409	HH409A	0.16	0.00	0.16	0.16	Solar PV	1x 50 kVA Sungrow Power Supply Co Ltd SG50CX (AS4777-2 2020), 1x 110 kVA Sungrow Power Supply Co Ltd SG110CX (AS4777-2 2020)	N/A	N/A	11/0.433	1000 kVA	Type A	Unity	Type 4	Export
185	3/08/2023	South East	SSD205	NA33	0.05	0.00	0.05	0.05	Solar PV	1x 50 kVA Sungrow Power Supply Co Ltd SG50CX (AS4777-2 2020)	N/A	N/A	11/0.433	1500 kVA	Type A	Unity	Type 4	Export
186	3/08/2023	South East	SSD197	MG22	0.06	0.00	0.06	0.06	Solar PV	2x 15 kVA SolarEdge Technologies Ltd SE15K, 1x 33.3 kVA SolarEdge Technologies Ltd SE33.3K (AS4777-2 2020)	N/A	N/A	11/0.433	150 kVA	Type A		Type 4	Export
187	3/08/2023	South East	SSD205	NA32	0.05	0.00	0.05	0.05	Solar PV	1x 50 kVA Sungrow Power Supply Co Ltd SG50CX (AS4777-2 2020)	N/A	N/A	11/0.433	500 kVA	Type A	Unity	Type 4	Export
188	3/08/2023	Metro South	SSD234	NL234B	0.05	0.00	0.05	0.05	Solar PV	2x 25 kVA Fronius Australia Pty Ltd Eco 25.0-3-S (AS4777-2 2020)	N/A	N/A	11/0.433	315 kVA	Type A	Unity	Type 4	Export
189	3/08/2023	Metro East	SSD118	HH118C	0.09	0.00	0.09	0.09	Solar PV + Storage	1x 5 kVA SONNEN AUSTRALIA PTY LIMITED sonnenBatterie Evo (AS4777-2 2020), 1x 82.8 kVA SolarEdge Technologies Ltd SE82.8K (AS4777-2 2020)	N/A	N/A	11/0.433	1500 kVA	Type A	Unity	Type 4	Export
190	3/08/2023	South East	SSD205	NA33	0.05	0.00	0.05	0.05	Solar PV	1x 50 kVA Sungrow Power Supply Co Ltd SG50CX (AS4777-2 2020)	N/A	N/A	11/0.433	1000 kVA	Type A	Unity	Type 4	Export
191	1/08/2023	Metro North	SSD129	SA34	0.12	0.00	0.12	0.00	Solar PV	1x 50 kVA SMA Solar Technology Ag SMA Sunny Tripower CORE1 STP 50-40, 1x 20 kVA SMA AUSTRALIA PTY LTD STP20000TL-30, 1x 25 kVA SMA Solar Technology AG STP 25000TL-30	N/A	N/A	11/0.433	2000 kVA	Type A	Unity	Type 4	Non Export
192	26/07/2023	Riverland	SSD420	BM52	1.10	0.00	1.10	0.96	Storage	2x 550 kVA EVO EVO Power NEO 500	N/A	N/A	11		Type C		Type 2	Export

No.	Connection Date	Region	Substation	Feeder ID	Inverter Installed Capacity (MVA)	Rotating Installed Capacity (MVA)	Total Installed Capacity (MVA)	Allowable Export (MW)	Generation Fuel	Generating Unit Make & Model	Fault Contributions		Transformer Info		Protection and communication systems	Power Factor Control and/or Reactive Power Capability	Single Line Diagram of the Connection Arrangement	Export Details
											At Connection Point	Ph-Ground	Voltage (kV)	Rating				
193	24/07/2023	Metro East	SSD403	HH403D	0.06	0.00	0.06	0.06	Solar PV	1x 55 kVA Sungrow SG50CX (AS4777-2 2020)	N/A	N/A	11/0.433	300 kVA	Type A	Unity	Type 4	Export
194	21/07/2023	Metro West	SSD427	ME427A	0.10	0.00	0.10	0.10	Solar PV	1x 100 kVA SolarEdge Technologies Ltd SE100K (AS4777-2 2020)	N/A	N/A	11/0.433	500 kVA	Type A	Unity	Type 4	Export
195	19/07/2023	Riverland	SSD420	BM52	0.25	0.00	0.25	0.00	Solar PV	5x 50 kVA Sungrow Power Supply Co Ltd SG50CX (AS4777-2 2020)	N/A	N/A	11/0.433	1500 kVA	Type B	Unity	Type 4	Non Export
196	19/07/2023	Riverland	SSD420	BM52	0.09	0.00	0.09	0.09	Solar PV	1x 36 kVA Huawei Technologies Co Ltd SUN2000-36KTL-M3 (AS4777-2 2020), 1x 55 kVA Huawei Technologies Co Ltd SUN2000-50KTL-M0	N/A	N/A	11/0.433	1500 kVA	Type A	Unity	Type 4	Export
197	18/07/2023	Metro East	SSD428	HH428F	0.11	0.00	0.11	0.11	Solar PV	1x 110 kVA Sungrow Power Supply Co Ltd SG110CX (AS4777-2 2020)	N/A	N/A	11/0.433	1500 kVA	Type A	Unity	Type 4	Export
198	13/07/2023	Metro South	SSD111	NL111Q	0.08	0.00	0.08	0.08	Solar PV	3x 27 kVA Fronius Australia Pty Ltd Eco 27.0-3-S (AS4777-2 2020)	N/A	N/A	11/0.433	750 kVA	Type A		Type 4	Export
199	12/07/2023	Metro West	SSD829	AP829F	0.22	0.00	0.22	0.09	Solar PV	2x 110 kVA SUNGROW AUSTRALIA GROUP PTY LTD SC110CX	N/A	N/A	11/0.433	1500 kVA	Type B	Unity	Type 4	Export
200	7/07/2023	Eyre Peninsula	SSD217	WHY09	0.33	0.00	0.33	0.02	Solar PV	3x 110 kVA Sungrow Power Supply Co Ltd SG110CX (AS4777-2 2020)	35.1	N/A	11/0.433	1000 kVA	Type B		Type 4	Export
201	30/06/2023	Riverland	SSD420	BM57	1.10	0.00	1.10	0.77	Storage	2x 550 kVA EVO EVO Power NEO 500	N/A	N/A	11/0.433	500 kVA	Type C		Type 4	Export
202	30/06/2023	Metro North	SSD273	EL16	0.09	0.00	0.09	0.09	Solar PV	3x 29.9 kVA Sungrow Power Supply Co Ltd SG30CX (AS4777-2 2020)	N/A	N/A	11/0.433	315 kVA	Type A	Unity	Type 4	Export
203	29/06/2023	Metro East	SSD103	CBD103C	0.14	0.00	0.14	0.14	Solar PV	1x 29.9 kVA Sungrow Power Supply Co Ltd SG30CX (AS4777-2 2020), 1x 110 kVA Sungrow Power Supply Co Ltd SG110CX (AS4777-2 2020)	N/A	N/A	11/0.433	2000 kVA	Type A	Unity	Type 4	Export
204	28/06/2023	Barossa	SSD150	NU05	0.10	0.00	0.10	0.02	Solar PV	1x 99.99 kVA GoodWe Technologies Co Ltd GW100K-HT (AS4777-2 2020)	N/A	N/A	11/0.433	100 kVA	Type A		Type 4	Export
205	28/06/2023	Eastern Hills	SSD178	GU43	0.06	0.00	0.06	0.02	Solar PV	1x 29.999 kVA Ningbo Ginlong Technologies Co Ltd Solis-30K-MX, 1x 30 kVA Ginlong Technologies Co Ltd Solis-30K-5G-AU (AS4777-2 2020)	N/A	N/A	11/0.433	200 kVA	Type A		Type 4	Export
206	28/06/2023	Riverland	SSD399	BM42	4.60	0.00	4.60	3.91	Solar PV + Storage	1x 4600 kVA SMA Solar Technology Ag SC 4600 UP	N/A	N/A	11		Type C		Type 2	Export
207	27/06/2023	South East	SSD271	MG23	0.10	0.00	0.10	0.02	Solar PV	2x 50 kVA SolarEdge Technologies Ltd SE50K	N/A	N/A	11/0.433	150 kVA	Type A		Type 4	Export
208	27/06/2023	Mid North	SSD191	CL05	0.17	0.00	0.17	0.02	Solar PV	2x 82.8 kVA SolarEdge Technologies Ltd SE82.8K	N/A	N/A	11/0.433	315 kVA	Type A		Type 4	Export
209	27/06/2023	Metro East	SSD118	HH118E	0.08	0.00	0.08	0.02	Solar PV	1x 82.8 kVA SolarEdge Technologies Ltd SE82.8K	N/A	N/A	11/0.433	750 kVA	Type A		Type 4	Export
210	27/06/2023	Barossa	SSD681	NU29	0.77	0.00	0.77	0.00	Solar PV	7x 110 kVA Sungrow Power Supply Co Ltd SG110CX (AS4777-2 2020)	N/A	N/A	11/0.433	2000 kVA	Type B	Unity	Type 4	Non Export
211	27/06/2023	Barossa	SSD681	NU29	0.33	0.00	0.33	0.00	Solar PV	3x 110 kVA Sungrow Power Supply Co Ltd SG110CX (AS4777-2 2020)	N/A	N/A	11/0.433	1500 kVA	Type B	Unity	Type 4	Non Export
212	27/06/2023	Eyre Peninsula	SSD717	PL15	0.08	0.00	0.08	0.02	Solar PV	1x 82.8 kVA SolarEdge Technologies Ltd SE82.8K	N/A	N/A	11/0.433	500 kVA	Type A		Type 4	Export
213	27/06/2023	Barossa	SSD681	NU29	0.27	0.00	0.27	0.00	Solar PV	2x 110 kVA Sungrow Power Supply Co Ltd SG110CX (AS4777-2 2020), 1x 50 kVA Sungrow Power Supply Co Ltd SG50CX (AS4777-2 2020)	N/A	N/A	11/0.433	2000 kVA	Type B	Unity	Type 4	Non Export
214	27/06/2023	Eyre Peninsula	SSD196	PL07	0.10	0.00	0.10	0.02	Solar PV	2x 25 kVA Fronius Australia Pty Ltd Eco 25.0-3-S (AS4777-2 2020), 1x 20 kVA Fronius Australia Pty Ltd Symo 20.0-3-M (AS4777-2 2020), 2x 15 kVA SMA Australia Pty Ltd STP 15000TL-10	N/A	N/A	11/0.433	300 kVA	Type A		Type 4	Export
215	27/06/2023	Upper North	SSD219	PP01	0.04	0.00	0.04	0.02	Solar PV + Storage	1x 25 kVA SMA Australia Pty Ltd STP25000TL-30, 1x 4.6 kVA Sonnen GmbH Hybrid 9.53/15	N/A	N/A	11/0.433	150 kVA	Type A		Type 4	Export
216	27/06/2023	Barossa	SSD681	NU29	0.27	0.00	0.27	0.00	Solar PV	1x 50 kVA Sungrow Power Supply Co Ltd SG50CX (AS4777-2 2020), 2x 110 kVA Sungrow Power Supply Co Ltd SG110CX (AS4777-2 2020)	N/A	N/A	11/0.433	1000 kVA	Type B	Unity	Type 4	Non Export
217	27/06/2023	Barossa	SSD681	NU29	0.11	0.00	0.11	0.11	Solar PV	1x 110 kVA Sungrow Power Supply Co Ltd SG110CX (AS4777-2 2020)	N/A	N/A	11/0.433	500 kVA	Type A	Unity	Type 4	Export
218	27/06/2023	Barossa	SSD681	NU29	0.55	0.00	0.55	0.00	Solar PV	5x 110 kVA Sungrow Power Supply Co Ltd SG110CX (AS4777-2 2020)	N/A	N/A	11/0.433	2000 kVA	Type B	Unity	Type 4	Non Export
219	26/06/2023	Metro West	SSD227	AP227B	0.08	0.00	0.08	0.08	Solar PV	1x 50 kVA SolarEdge Technologies Ltd SE50K, 1x 30 kVA SolarEdge Technologies Ltd SE30K	N/A	N/A	11/0.433	200 kVA	Type A		Type 4	Export
220	26/06/2023	Metro West	SSD347	ME347F	0.06	0.00	0.06	0.06	Solar PV	3x 20 kVA Fronius International GmbH Symo 20.0-3-M	N/A	N/A	11/0.433	200 kVA	Type A		Type 4	Export
221	26/06/2023	Fleurieu Peninsula	SSD317	MV31	0.05	0.00	0.05	0.02	Solar PV	1x 20 kVA Fronius International GmbH Symo 20.0-3-M, 1x 25 kVA Fronius Australia 25.0-3-S	N/A	N/A	11/0.433	200 kVA	Type A		Type 4	Export

No.	Connection Date	Region	Substation	Feeder ID	Inverter Installed Capacity (MVA)	Rotating Installed Capacity (MVA)	Total Installed Capacity (MVA)	Allowable Export (MW)	Generation Fuel	Generating Unit Make & Model	Fault Contributions		Transformer Info		Protection and communication systems	Power Factor Control and/or Reactive Power Capability	Single Line Diagram of the Connection Arrangement	Export Details
											At Connection Point	Ph-Ground	Voltage (kV)	Rating				
222	26/06/2023	Fleurieu Peninsula	SSD317	MV31	0.04	0.00	0.04	0.02	Solar PV	1x 17 kVA SolarEdge Technologies Ltd SE17K,1x 27.6 kVA SolarEdge Technologies Ltd SE27.6K	N/A	N/A	11/0.433	315 kVA	Type A		Type 4	Export
223	26/06/2023	Eastern Hills	SSD218	MTB52	0.08	0.00	0.08	0.02	Solar PV + Storage	1x 20 kVA Fronius International GmbH Symo 20.0-3-M,2x 4.6 kVA Alpha ESS Co Ltd. SMILE5-INV,3x 4.6 kVA SMA Solar Technology AG SB5000TL-21,2x 17.5 kVA Fronius International GmbH Symo 17.5-3-M	N/A	N/A	11/0.433	100 kVA	Type A		Type 4	Export
224	26/06/2023	Eyre Peninsula	SSD803	PL803A	0.08	0.00	0.08	0.02	Solar PV	1x 22 kVA Huawei Technologies Co Ltd SUN2000-20KTL,1x 55 kVA Huawei Technologies Co Ltd SUN2000-50KTL-M0	N/A	N/A	11/0.433	200 kVA	Type A		Type 4	Export
225	26/06/2023	Metro West	SSD520	SA520J	0.19	0.00	0.19	0.19	Solar PV	1x 82.8 kVA SolarEdge Technologies Ltd SE82.8K (AS4777-2 2020),1x 100 kVA SolarEdge Technologies Ltd SE100K (AS4777-2 2020),18x 0.349 kVA Enphase Energy Australia Pty Ltd IQ7A-72-2-INT (AS4777-2 2020)	N/A	N/A	11/0.433	750 kVA	Type A	Unity	Type 4	Export
226	26/06/2023	Metro South	SSD172	SM172C	0.12	0.00	0.12	0.11	Solar PV + Storage	2x 5 kVA Tesla Motors Australia Pty Ltd AC Powerwall (AS4777-2 2020),1x 110 kVA Sungrow Power Supply Co Ltd SG110CX	N/A	N/A	11/0.433	300 kVA	Type A		Type 4	Export
227	26/06/2023	Metro West	SSD829	AP829G	0.09	0.00	0.09	0.09	Solar PV	1x 30 kVA SolarEdge Technologies Ltd SE30K,3x 10 kVA SMA Australia Pty Ltd 10000TL,1x 30 kVA SolarEdge Technologies Ltd SE30K (AS4777-2 2020)	N/A	N/A	11/0.433	500 kVA	Type A	Unity	Type 4	Export
228	26/06/2023	Eastern Hills	SSD473	SG13	0.10	0.00	0.10	0.06	Solar PV	3x 33.3 kVA SolarEdge Technologies Ltd SE33.3K	N/A	N/A	11/0.433	300 kVA	Type A		Type 4	Export
229	20/06/2023	Metro North	SSD744	SA744A	0.88	0.00	0.88	0.00	Solar PV	8x 110 kVA Sungrow Power Supply Co Ltd SG110CX (AS4777-2 2020)	N/A	N/A	11/0.433	2000 kVA	Type B	Unity	Type 4	Non Export
230	16/06/2023	Metro North	SSD129	SA34	0.10	0.00	0.10	0.10	Solar PV	1x 100 kVA Huawei Technologies Co Ltd SUN2000-100kTL-M1	N/A	N/A	11/0.433	1000 kVA	Type A	Unity	Type 4	Export
231	9/06/2023	South East	SSD198	MI20	0.05	0.00	0.05	0.04	Solar PV	1x 50 kVA Sungrow Power Supply Co Ltd SG50CX (AS4777-2 2020)	N/A	N/A	11/0.433	200 kVA	Type A	Unity	Type 4	Export
232	8/06/2023	Metro West	SSD520	SA520C	0.08	0.00	0.08	0.02	Solar PV	1x 82.8 kVA SolarEdge Technologies Ltd SE82.8K	N/A	N/A	11/0.433	750 kVA	Type A		Type 4	Export
233	8/06/2023	Metro West	SSD829	AP829F	0.86	0.00	0.86	0.20	Solar PV + Storage	2x 110 kVA SMA AUSTRALIA PTY LTD STP 110-60 (AS4777-2 2020),4x 50 kVA SMA Solar Technology Ag SMA Sunny Tripower CORE1 STP 50-40,1x 437.5 kVA Shenzhen Sinexcel Electric Co Ltd PWS1-500KTL-EX-7M	N/A	N/A	11/0.433	500 kVA	Type B	Unity	Type 4	Export
234	8/06/2023	South East	SSD332	MG17	0.11	0.00	0.11	0.05	Solar PV	1x 110 kVA Sungrow Power Supply Co Ltd SG110CX-P2 (AS4777-2 2020)	N/A	N/A	11/0.433	200 kVA	Type A	Unity	Type 4	Export
235	7/06/2023	Yorke Peninsula	SSD385	YK22	0.05	0.00	0.05	0.02	Solar PV	1x 10 kVA (ABB) Power-One Italy S.p.A PVI-10.0-OUTD-AU,2x 20 kVA Fronius International GmbH 20.0-3-M	N/A	N/A	11/0.433	150 kVA	Type A		Type 4	Export
236	6/06/2023	Eastern Hills	SSD218	MTB53	0.08	0.00	0.08	0.08	Solar PV	1x 82.8 kVA SolarEdge Technologies Ltd SE82.8K (AS4777-2 2020)	N/A	N/A	11/0.433	1000 kVA	Type A	Unity	Type 4	Export
237	6/06/2023	Metro South	SSD116	ME116A	0.11	0.00	0.11	0.10	Solar PV	1x 110 kVA SUNGROW AUSTRALIA GROUP PTY LTD SC110CX	N/A	N/A	11/0.433	500 kVA	Type A		Type 4	Export
238	6/06/2023	CBD	SSD366	CBD366B	0.11	0.00	0.11	0.11	Solar PV	1x 110 kVA Sungrow Power Supply Co Ltd SG110CX (AS4777-2 2020)	N/A	N/A	11/0.433	750 kVA	Type A		Type 4	Export
239	1/06/2023	Metro West	SSD427	ME427A	0.05	0.00	0.05	0.02	Solar PV + Storage	1x 20 kVA Sungrow Power Supply Co Ltd SG20RT (AS4777-2 2020),1x 10 kVA Sungrow Power Supply Co Ltd SH10RT (AS4777-2 2020)	N/A	N/A	11/0.433	300 kVA	Type A	Unity	Type 4	Export
240	1/06/2023	Metro West	SSD427	ME427A	0.05	0.00	0.05	0.02	Solar PV + Storage	1x 10 kVA Sungrow Power Supply Co Ltd SH10RT (AS4777-2 2020),1x 20 kVA Sungrow Power Supply Co Ltd SG20RT (AS4777-2 2020)	N/A	N/A	11/0.433	300 kVA	Type A	Unity	Type 4	Export
241	1/06/2023	Metro North	SSD744	SA744H	0.20	0.00	0.20	0.00	Solar PV	2x 100 kVA Fronius Australia Pty Ltd Tauro Eco 100-3-D (AS4777-2 2020)	N/A	N/A	11/0.433	1500 kVA	Type B	Unity	Type 4	Non Export
242	29/05/2023	Metro East	SSD177	HH177F	0.10	0.00	0.10	0.10	Solar PV	1x 99.99 kVA GoodWe Technologies Co Ltd GW100K-HT (AS4777-2 2020)	N/A	N/A	11/0.433	300 kVA	Type A	Unity	Type 4	Export
243	29/05/2023	Metro South	SSD411	SM411C	0.09	0.00	0.09	0.20	Solar PV	1x 25 kVA Fronius Australia 25.0-3-S,2x 5 kVA SMA Australia Pty Ltd STP5000TL-20,3x 17.5 kVA Fronius International GmbH 17.5-3-M	N/A	N/A	11/0.433	1500 kVA	Type A	Unity	Type 4	Export
244	22/05/2023	Mid North	SSD230	GA50	0.33	0.00	0.33	0.20	Solar PV	3x 110 kVA Sungrow Power Supply Co Ltd SG110CX (AS4777-2 2020)	N/A	N/A	11/0.433	1500 kVA	Type C		Type 4	Export

No.	Connection Date	Region	Substation	Feeder ID	Inverter Installed Capacity (MVA)	Rotating Installed Capacity (MVA)	Total Installed Capacity (MVA)	Allowable Export (MW)	Generation Fuel	Generating Unit Make & Model	Fault Contributions		Transformer Info		Protection and communication systems	Power Factor Control and/or Reactive Power Capability	Single Line Diagram of the Connection Arrangement	Export Details
											At Connection Point	Ph-Ground	Voltage (kV)	Rating				
245	22/05/2023	Metro North	SSD422	EL01Y	0.11	0.00	0.11	0.11	Solar PV	1x 110 kVA Sungrow Power Supply Co Ltd SG110CX (AS4777-2 2020)	N/A	N/A	11/0.433	750 kVA	Type A	Unity	Type 4	Export
246	22/05/2023	Metro West	SSD351	AP351E	0.11	0.00	0.11	0.11	Solar PV	1x 110 kVA Sungrow Power Supply Co Ltd SG110CX (AS4777-2 2020)	N/A	N/A	11/0.433	750 kVA	Type A	Unity	Type 4	Export
247	18/05/2023	Fleurieu Peninsula	SSD368	VH11	0.22	0.00	0.22	0.00	Solar PV	2x 110 kVA Sungrow Power Supply Co Ltd SG110CX (AS4777-2 2020)	N/A	N/A	11/0.433	1500 kVA	Type B	Unity	Type 4	Non Export
248	16/05/2023	Metro North	SSD407	SA12	0.08	0.00	0.08	0.08	Solar PV	4x 20 kVA Fronius Australia Pty Ltd Symo 20.0-3-M (AS4777-2 2020)	N/A	N/A	11/0.433	750 kVA	Type A		Type 4	Export
249	15/05/2023	Metro North	SSD744	SA744F	1.57	0.00	1.57	0.20	Solar PV	19x 82.8 kVA SolarEdge Technologies Ltd SE82.8K	N/A	N/A	11		Type B		Type 2	Export
250	15/05/2023	Metro North	SSD422	EL02	0.66	0.00	0.66	0.20	Solar PV	6x 110 kVA Sungrow Power Supply Co Ltd SG110CX	N/A	N/A	11/0.433	2000 kVA	Type B		Type 4	Export
251	15/05/2023	South East	SSD195	MG45	0.72	0.00	0.72	0.20	Solar PV	12x 60 kVA JIANGSU GOODWE POWER SUPPLY TECHNOLOGY CO LTD GW60K-MT	N/A	N/A	11/0.433	2000 kVA	Type B		Type 4	Export
252	15/05/2023	Murraylands	SSD815	SD43300	4.95	0.00	4.95	0.02	Solar PV	1x 4950 kVA Sungrow SG4950HV-MV	N/A	N/A	33		Type B		Type 2	Export
253	15/05/2023	Metro West	SSD347	ME347C	1.24	0.00	1.24	1.15	Solar PV	15x 82.8 kVA SolarEdge Technologies Ltd SE82.8K	N/A	N/A	11/0.433	1000 kVA	Type C		Type 4	Export
254	15/05/2023	Eyre Peninsula	SSD337	CD02	0.10	0.00	0.10	0.19	Solar PV	1x 27 kVA Fronius Australia 27.0-3-S, 1x 20 kVA Fronius International GmbH Symo 20.0-3-M	N/A	N/A	11/0.433	315 kVA	Type A	Unity	Type 4	Export
255	9/05/2023	Metro West	SSD139	AP139C	0.06	0.00	0.06	0.06	Solar PV	1x 27.6 kVA SolarEdge Technologies Ltd SE27.6K, 2x 15 kVA SolarEdge Technologies Ltd SE15K (AS4777-2 2020)	N/A	N/A	11/0.433	200 kVA	Type A	Unity	Type 4	Export
256	8/05/2023	Metro West	SSD427	ME427E	0.04	0.00	0.04	0.02	Solar PV	1x 5 kVA Sungrow Power Supply Co Ltd SG5KTL, 1x 5 kVA Ginlong Technologies Co Ltd S5-GR3P5K-AU (AS4777-2 2020), 1x 15 kVA Ginlong Technologies Co Ltd S5-GR3P15K (AS4777-2 2020)	N/A	N/A	11/0.433	150 kVA	Type A		Type 4	Export
257	8/05/2023	Metro North	SSD184	EL20	0.54	0.00	0.54	0.36	OTHER IES	3x 180 kVA Vacon NXA_0261 5 A0T2SF	N/A	N/A	11/0.433	500 kVA	Type C		Type 4	Export
258	4/05/2023	Metro North	SSD744	SA744C	0.10	0.00	0.10	0.00	Solar PV	4x 25 kVA Fronius Australia Pty Ltd Eco 25.0-3-S (AS4777-2 2020)	N/A	N/A	11/0.433	315 kVA	Type A	Unity	Type 4	Non Export
259	4/05/2023	Riverland	SSD398	BM13	4.95	0.00	4.95	4.20	Solar PV + Storage	1x 4950 kVA Sungrow SG4950HV-MV	N/A	N/A	11		Type C		Type 2	Export
260	29/04/2023	Metro South	SSD200	ME200C	0.11	0.00	0.11	0.02	Solar PV	1x 110 kVA Sungrow Power Supply Co Ltd SG110CX (AS4777-2 2020)	N/A	N/A	11/0.433	500 kVA	Type A		Type 4	Export
261	18/04/2023	Metro North	SSD414	EL07	0.03	0.00	0.03	0.02	Solar PV + Storage	1x 27.6 kVA SolarEdge Technologies Ltd SE27.6K, 1x 5 kVA Tesla Motors Australia Pty Ltd AC Powerwall	N/A	N/A	11/0.433	100 kVA	Type A		Type 4	Export
262	13/04/2023	Metro South	SSD115	NL115C	0.08	0.00	0.08	0.08	Solar PV	4x 20 kVA Fronius Australia Pty Ltd Symo 20.0-3-M (AS4777-2 2020)	N/A	N/A	11/0.433	750 kVA	Type A	Unity	Type 4	Export
263	12/04/2023	Metro South	SSD111	NL111A	0.11	0.00	0.11	0.11	Solar PV	1x 110 kVA Sungrow Power Supply Co Ltd SG110CX (AS4777-2 2020)	N/A	N/A	11/0.433	1500 kVA	Type A	Unity	Type 4	Export
264	30/03/2023	Metro West	SSD372	AP372D	0.05	0.00	0.05	0.05	Solar PV	1x 27 kVA Fronius Australia Pty Ltd Eco 27.0-3-S (AS4777-2 2020), 1x 6.5 kVA KACO new energy GmbH 7.8 TL3, 1x 14.95 kVA KACO new energy GmbH 18.0 TL3	N/A	N/A	11/0.433	200 kVA	Type A	Unity	Type 4	Export
265	29/03/2023	Metro North	SSD407	SA20	0.06	0.00	0.06	0.00	Solar PV	2x 29.9 kVA Sungrow Power Supply Co Ltd SG30CX (AS4777-2 2020)	0	0	11/0.433	750 kVA	Type A	Unity	Type 4	Non Export
266	29/03/2023	Metro North	SSD407	SA11	0.66	0.00	0.66	0.15	Solar PV	6x 110 kVA Sungrow Power Supply Co Ltd SG110CX (AS4777-2 2020)	0	0	11/0.433	1500 kVA	Type B	Unity	Type 4	Export
267	29/03/2023	Metro North	SSD407	SA20	0.33	0.00	0.33	0.00	Solar PV	3x 110 kVA Sungrow Power Supply Co Ltd SG110CX (AS4777-2 2020)	0	0	11/0.433	750 kVA	Type B	Unity	Type 4	Non Export
268	29/03/2023	Metro North	SSD407	SA11	0.22	0.00	0.22	0.15	Solar PV	2x 110 kVA Sungrow Power Supply Co Ltd SG110CX (AS4777-2 2020)	0	0	11/0.433	500 kVA	Type B	Unity	Type 4	Export
269	28/03/2023	CBD	SSD412	CBD412N	0.05	0.00	0.05	0.05	Solar PV	1x 50 kVA SolarEdge Technologies Ltd SE50K (AS4777-2 2020)	N/A	N/A	11/0.433	750 kVA	Type A	Unity	Type 4	Export
270	22/03/2023	South East	SSD140	BT06	0.08	0.00	0.08	0.02	Solar PV	4x 20 kVA Fronius Australia Pty Ltd Symo 20.0-3-M (AS4777-2 2020)	N/A	N/A	11/0.433	500 kVA	Type A	Unity	Type 4	Export
271	22/03/2023	Metro South	SSD111	NL111Q	0.50	0.00	0.50	0.20	Solar PV + Storage	1x 110 kVA Sungrow Power Supply Co Ltd SG110CX (AS4777-2 2020), 1x 29.9 kVA Sungrow Power Supply Co Ltd SG30CX (AS4777-2 2020), 1x 110 kVA Delta Electronics Inc PCS100HV (AS4777-2 2020), 1x 25 kVA SMA Australia Pty Ltd	N/A	N/A	11/0.433	500 kVA	Type C	Unity	Type 4	Export

No.	Connection Date	Region	Substation	Feeder ID	Inverter Installed Capacity (MVA)	Rotating Installed Capacity (MVA)	Total Installed Capacity (MVA)	Allowable Export (MW)	Generation Fuel	Generating Unit Make & Model	Fault Contributions		Transformer Info		Protection and communication systems	Power Factor Control and/or Reactive Power Capability	Single Line Diagram of the Connection Arrangement	Export Details
											At Connection Point	Ph-Ground	Voltage (kV)	Rating				
										STP25000TL-30,9x 5 kVA Tesla Inc AC Powerwall (AS4777-2 2020)								
272	14/03/2023	Metro South	SSD131	ME131C	0.11	0.00	0.11	0.11	Solar PV	1x 110 kVA Sungrow Power Supply Co Ltd SG110CX (AS4777-2 2020)	N/A	N/A	11/0.433	315 kVA	Type A	Unity	Type 4	Export
273	14/03/2023	Metro East	SSD177	HH177B	0.09	0.00	0.09	0.09	Solar PV	3x 30 kVA Ginlong Technologies Co Ltd S5-GC30K-AU (AS4777-2 2020)	N/A	N/A	11/0.433	200 kVA	Type A	Unity	Type 4	Export
274	14/03/2023	Metro West	SSD139	AP139C	0.10	0.00	0.10	0.10	Solar PV	1x 100 kVA SMA Australia Pty Ltd 100-20	N/A	N/A	11/0.433	1500 kVA	Type A	Unity	Type 4	Export
275	10/03/2023	Metro North	SSD129	SA33	0.07	0.00	0.07	0.07	Solar PV	1x 50 kVA SMA Australia Pty Ltd STP 50-40,1x 17 kVA SMA Australia Pty Ltd STP17000TL	N/A	N/A	11/0.433	500 kVA	Type A	Unity	Type 4	Export
276	9/03/2023	Metro North	SSD422	EL01Y	0.06	0.00	0.06	0.00	Solar PV	1x 55 kVA GoodWe Technologies Co Ltd GW50KN-MT (AS4777-2 2020)	N/A	N/A	11/0.433	1000 kVA	Type A	Unity	Type 4	Non Export
277	9/03/2023	Metro West	SSD227	AP227D	0.11	0.00	0.11	0.11	Solar PV	1x 110 kVA Sungrow Power Supply Co Ltd SG110CX (AS4777-2 2020)	N/A	N/A	11/0.433	1000 kVA	Type A	Unity	Type 4	Export
278	24/02/2023	Mid North	SSD153	SD37301	0.08	0.00	0.08	0.08	Solar PV	3x 27 kVA Fronius Australia Pty Ltd Eco 27.0-3-S (AS4777-2 2020)	N/A	N/A	33/0.433	200 kVA	Type A	Unity	Type 4	Export
279	23/02/2023	Riverland	SSD235	LX43	0.17	0.00	0.17	0.10	Solar PV	3x 55 kVA GoodWe Technologies Co Ltd GW50KN-MT (AS4777-2 2020)	N/A	N/A	11/0.433	1000 kVA	Type A	Unity	Type 4	Export
280	17/02/2023	Murraylands	SSD389	MB28	0.20	0.64	0.84	0.20	Diesel Generator + Solar PV	1x 17.5 kVA Fronius International GmbH Symo 17.5-3-M,9x 20 kVA Fronius International GmbH Symo 20.0-3-M,2x 320 kVA CAT STANDBY 320 ekW 400kVA	N/A	N/A	11/0.433	500 kVA	Type K		Type 3	Export
281	14/02/2023	Eastern Hills	SSD777	MTB13	0.10	0.00	0.10	0.04	Solar PV	1x 100 kVA SolarEdge Technologies Ltd SE100K (AS4777-2 2020)	N/A	N/A	11/0.433	1000 kVA	Type A	Unity	Type 4	Export
282	14/02/2023	Metro West	SSD427	ME427B	0.11	0.00	0.11	0.11	Solar PV	1x 110 kVA Sungrow Power Supply Co Ltd SG110CX (AS4777-2 2020)	N/A	N/A	11/0.433	500 kVA	Type A	Unity	Type 4	Export
283	8/02/2023	Metro East	SSD432	HH432A	0.08	0.00	0.08	0.08	Solar PV	1x 50 kVA Sungrow Power Supply Co Ltd SG50CX (AS4777-2 2020),1x 29.9 kVA Sungrow Power Supply Co Ltd SG30CX (AS4777-2 2020)	N/A	N/A	11/0.433	500 kVA	Type A	Unity	Type 4	Export
284	2/02/2023	Metro South	SSD131	ME131D	0.10	0.00	0.10	0.10	Solar PV	2x 50 kVA Sungrow Power Supply Co Ltd SG50CX (AS4777-2 2020)	N/A	N/A	11/0.433	500 kVA	Type A	Unity	Type 4	Export
285	1/02/2023	Metro North	SSD800	GA800A	0.19	0.00	0.19	0.19	Solar PV	1x 110 kVA Sungrow Power Supply Co Ltd SG110CX (AS4777-2 2020),3x 25 kVA Fronius Australia ECO 25.0-3-S	N/A	N/A	11/0.433	750 kVA	Type A	Unity	Type 4	Export
286	1/02/2023	CBD	SSD366	CBD366E	0.09	0.00	0.09	0.09	Solar PV	3x 30 kVA SolarEdge Technologies Ltd SE30K (AS4777-2 2020)	N/A	N/A	11/0.433	500 kVA	Type A	Unity	Type 4	Export
287	31/01/2023	Eastern Hills	SSD237	MTB21	0.07	0.00	0.07	0.00	Solar PV	1x 66.6 kVA SolarEdge Technologies Ltd SE66.6K (AS4777-2 2020)	N/A	N/A	11/0.433	300 kVA	Type A	Unity	Type 4	Non Export
288	25/01/2023	Metro East	SSD432	HH432E	0.10	0.00	0.10	0.01	Solar PV	9x 11 kVA SMA Australia Pty Ltd 11000TL	N/A	N/A	11/0.433	1000 kVA	Type A		Type 4	Export
289	25/01/2023	Metro North	SSD744	SA744C	0.10	0.00	0.10	0.02	Solar PV	1x 99 kVA Unknown Unknown	N/A	N/A	11/0.433	315 kVA	Type A		Type 4	Export
290	25/01/2023	Eastern Hills	SSD248	ST34	0.06	0.00	0.06	0.06	Solar PV	2x 29.9 kVA Sungrow Power Supply Co Ltd SG30CX (AS4777-2 2020)	N/A	N/A	11/0.433	100 kVA	Type A	Unity	Type 4	Export
291	24/01/2023	Metro South	SSD200	ME200F	0.00	0.55	0.55	0.00	Diesel Cogenerator	1x 550 kVA GENERIC NON-INVERTER Diesel 550kVA	N/A	N/A	11/0.433	2000 kVA	Type E		Type 3	Non Export
292	24/01/2023	Mid North	SSD771	NU19	0.11	0.00	0.11	0.11	Solar PV	1x 110 kVA Sungrow Power Supply Co Ltd SG110CX (AS4777-2 2020)	N/A	N/A	11/0.433	300 kVA	Type A	Unity	Type 4	Export
293	24/01/2023	Metro East	SSD432	HH432E	0.00	0.55	0.55	0.00	Natural Gas Generator + Solar PV	1x 550 kVA GENERIC NON-INVERTER 550kVA Natural Gas,1x 4.6 kVA SMA Australia Pty Ltd SB5000TL-21	N/A	N/A	11		Type K		Type 2	Non Export
294	19/01/2023	Metro East	SSD428	HH428D	0.00	0.63	0.63	0.00	Natural Gas Cogenerator	1x 630 kVA GENERIC NON-INVERTER Natural Gas Cogen 630kVA	N/A	N/A	11/0.433	2000 kVA	Type E		Type 3	Non Export
295	19/01/2023	CBD	SSD353	CBD353F	0.00	0.48	0.48	0.00	Natural Gas Cogenerator	1x 480 kVA GENERIC NON-INVERTER 480kVA	N/A	N/A	11		Type E		Type 2	Non Export
296	17/01/2023	Metro East	SSD386	HH386A	0.11	0.00	0.11	0.10	Solar PV	1x 110 kVA Huawei Technologies Co Ltd SUN2000-100KTL-M1 (Declaration)	N/A	N/A	11/0.433	200 kVA	Type A		Type 4	Export
297	16/01/2023	Metro South	SSD111	NL111B	0.06	0.00	0.06	0.06	Solar PV	1x 60 kVA GoodWe Technologies Co Ltd GW60KN-MT (AS4777-2 2020)	N/A	N/A	11/0.433	500 kVA	Type A		Type 4	Export
298	12/01/2023	Metro East	SSD341	HH341K	0.08	0.00	0.08	0.08	Solar PV	1x 82.8 kVA SolarEdge Technologies Ltd SE82.8K	N/A	N/A	11/0.433	1000 kVA	Type A		Type 4	Export
299	12/01/2023	Metro East	SSD341	HH341K	0.09	0.00	0.09	0.09	Solar PV	3x 30 kVA SolarEdge Technologies Ltd SE30K (AS4777-2 2020)	N/A	N/A	11/0.433	1000 kVA	Type A		Type 4	Export

No.	Connection Date	Region	Substation	Feeder ID	Inverter Installed Capacity (MVA)	Rotating Installed Capacity (MVA)	Total Installed Capacity (MVA)	Allowable Export (MW)	Generation Fuel	Generating Unit Make & Model	Fault Contributions		Transformer Info		Protection and communication systems	Power Factor Control and/or Reactive Power Capability	Single Line Diagram of the Connection Arrangement	Export Details
											At Connection Point	Ph-Ground	Voltage (kV)	Rating				
300	9/01/2023	Metro West	SSD139	AP139C	0.11	0.00	0.11	0.36	Solar PV	1x 110 kVA Sungrow Power Supply Co Ltd SG110CX (AS4777-2 2020)	N/A	N/A	11/0.433	1000 kVA	Type A	Unity	Type 4	Export
301	9/01/2023	Eyre Peninsula	SSD337	CD02	0.40	0.00	0.40	0.00	Diesel Generator	1x 400 kVA Diesel Engine Perkins 2506A-E15TAG1 400kW, 400v alternator	N/A	N/A	11/0.433	1000 kVA	Type B		Type 4	Non Export
302	6/01/2023	Eyre Peninsula	SSD325	PL01	0.03	0.00	0.03	0.02	Solar PV + Storage	1x 15 kVA Sungrow Power Supply Co Ltd SG15RT (AS4777-2 2020), 1x 5 kVA Tesla Motors Australia Pty Ltd AC Powerwall, 3x 4.99 kVA Huawei Technologies Co Ltd SUN2000L-5KTL	N/A	N/A	11/0.433	200 kVA	Type A		Type 4	Export
303	6/01/2023	South East	SSD785	NA05	0.00	0.53	0.53	0.00	Waste Gas Generator	1x 531 kVA Avus 500plus BG w/ Stamford PE 734E Alternator	N/A	N/A	11		Type E		Type 2	Non Export
304	4/01/2023	Upper North	SSD460	PP09	0.05	0.00	0.05	0.05	Solar PV	106x 0.215 kVA Enphase Energy Australia Pty Ltd M215-60-230-S22, 1x 25 kVA Fronius Australia Pty Ltd Eco 25.0-3-S (AS4777-2 2020)	N/A	N/A	11/0.433	315 kVA	Type A	Unity	Type 4	Export
305	28/12/2022	Metro South	SSD131	ME131D	0.26	0.00	0.26	0.26	Solar PV	1x 10 kVA Fronius Australia Pty Ltd Symo 10.0-3-M (AS4777-2 2020), 10x 25 kVA Fronius Australia Pty Ltd Eco 25.0-3-S (AS4777-2 2020)	N/A	N/A	11/0.433	750 kVA	Type C		Type 4	Export
306	21/12/2022	Metro South	SSD234	MV12	0.10	0.00	0.10	0.01	Solar PV	1x 100 kVA Fronius Australia Pty Ltd Tauro Eco 100-3-D (AS4777-2 2020)	N/A	N/A	11/0.433	750 kVA	Type A	Unity	Type 4	Export
307	21/12/2022	Eyre Peninsula	SSD336	SB01	0.11	0.00	0.11	0.02	Solar PV	6x 17.5 kVA Fronius International GmbH Symo 17.5-3-M	N/A	N/A	11/0.433	200 kVA	Type A		Type 4	Export
308	15/12/2022	Metro East	SSD432	HH432E	0.11	0.00	0.11	0.11	Solar PV	1x 110 kVA Sungrow Power Supply Co Ltd SG110CX (AS4777-2 2020)	N/A	N/A	11/0.433	315 kVA	Type A	Unity	Type 4	Export
309	14/12/2022	Metro South	SSD131	ME131D	0.10	0.00	0.10	0.10	Solar PV	2x 50 kVA Sungrow Power Supply Co Ltd SG50CX (AS4777-2 2020)	N/A	N/A	11/0.433	2000 kVA	Type A	Unity	Type 4	Export
310	14/12/2022	Upper North	SSD750	SD54300	4.40	0.00	4.40	4.84	Solar PV	88x 50 kVA Ginlong Technologies Co Ltd S5-GC50K (AS4777-2 2020)	N/A	N/A	33		Type C		Type 2	Export
311	13/12/2022	Fleurieu Peninsula	SSD368	VH10	0.04	0.00	0.04	0.04	Solar PV	1x 12.5 kVA Fronius Australia Pty Ltd Symo 12.5-3-M (AS4777-2 2020), 2x 15 kVA Fronius Australia Pty Ltd Symo 15.0-3-M (AS4777-2 2020)	N/A	N/A	11/0.433	315 kVA	Type A	Unity	Type 4	Export
312	6/12/2022		SSD832	BS0425	0.35	0.00	0.35	0.00	Solar PV	7x 50 kVA SMA Australia Pty Ltd STP 50-41 (AS4777-2 2020)	N/A	N/A	11		Type B	Unity	Type 2	Non Export
313	6/12/2022	Riverland	SSD398	BM14	1.11	0.00	1.11	0.88	Solar PV + Storage	1x 8.2 kVA Fronius International GmbH Symo 8.2-3-M, 2x 550 kVA Sungrow Power Supply Co Ltd SC500TL	N/A	N/A	11		Type C		Type 2	Export
314	2/12/2022	Metro West	SSD829	AP829B	0.08	0.00	0.08	0.06	Solar PV	1x 50 kVA Fronius Australia Pty Ltd Tauro Eco 50-3-D (AS4777-2 2020), 2x 15 kVA Fronius International GmbH Symo 15.0-3-M	N/A	N/A	11/0.433	315 kVA	Type A	Unity	Type 4	Export
315	1/12/2022	Metro West	SSD424	AP424A	0.11	0.00	0.11	0.00	Solar PV	1x 110 kVA SMA Solar Technology AG Core 2 STP 110-60	N/A	N/A	11/0.433	300 kVA	Type A	Unity	Type 4	Non Export
316	28/11/2022	Murraylands	SSD454	CN42	0.08	0.00	0.08	0.02	Solar PV	3x 27 kVA Fronius Australia Pty Ltd Eco 27.0-3-S (AS4777-2 2020)	N/A	N/A	11/0.433	750 kVA	Type A		Type 4	Export
317	28/11/2022	Murraylands	SSD454	CN42	0.08	0.00	0.08	0.02	Solar PV	3x 27 kVA Fronius Australia Pty Ltd Eco 27.0-3-S (AS4777-2 2020)	N/A	N/A	11/0.433	750 kVA	Type A		Type 4	Export
318	28/11/2022	Metro East	SSD428	HH428C	0.11	0.00	0.11	0.11	Solar PV	1x 110 kVA Sungrow Power Supply Co Ltd SG110CX (AS4777-2 2020)	N/A	N/A	11/0.433	500 kVA	Type A	Unity	Type 4	Export
319	28/11/2022	Metro South	SSD350	SM350F	0.07	0.00	0.07	0.07	Solar PV + Storage	6x 5 kVA Tesla Motors Australia Pty Ltd AC Powerwall, 1x 8.2 kVA Fronius Australia Pty Ltd Symo 8.2-3-M (AS4777-2 2020), 1x 10 kVA Fronius International GmbH Symo 10.0-3-M, 1x 8.2 kVA Fronius International GmbH Symo 8.2-3-M, 1x 5 kVA Fronius Australia Pty Ltd Primo 5.0-1 (AS4777-2 2020)	N/A	N/A	11/0.433	315 kVA	Type A	Unity	Type 4	Export
320	25/11/2022	Metro West	SSD829	AP829D	0.16	0.00	0.16	0.08	Solar PV	3x 27 kVA Fronius Australia Pty Ltd Eco 27.0-3-S, 3x 27 kVA Fronius Australia Pty Ltd Eco 27.0-3-S (AS4777-2 2020)	N/A	N/A	11/0.433	500 kVA	Type A	Unity	Type 4	Export
321	24/11/2022	Metro West	SSD132	AP132D	0.22	0.00	0.22	0.19	Solar PV	2x 110 kVA Sungrow Power Supply Co Ltd SG110CX (AS4777-2 2020)	N/A	N/A	11/0.433	500 kVA	Type B		Type 4	Export
322	18/11/2022	Murraylands	SSD151	MB12	0.11	0.00	0.11	0.00	Solar PV	1x 110 kVA Sungrow Power Supply Co Ltd SG110CX (AS4777-2 2020)	N/A	N/A	11/0.433	1000 kVA	Type A	Unity	Type 4	Non Export

No.	Connection Date	Region	Substation	Feeder ID	Inverter Installed Capacity (MVA)	Rotating Installed Capacity (MVA)	Total Installed Capacity (MVA)	Allowable Export (MW)	Generation Fuel	Generating Unit Make & Model	Fault Contributions		Transformer Info		Protection and communication systems	Power Factor Control and/or Reactive Power Capability	Single Line Diagram of the Connection Arrangement	Export Details
											At Connection Point	Ph-Ground	Voltage (kV)	Rating				
323	1/11/2022	Eyre Peninsula	SSD325	PL01	0.09	0.00	0.09	0.08	Solar PV	3x 20 kVA SMA Australia Pty Ltd STP20000TL-30,1x 25 kVA SMA Australia Pty Ltd STP25000TL-30	N/A	N/A	11/0.433	300 kVA	Type A		Type 4	Export
324	1/11/2022	Eyre Peninsula	SSD164	CM02	0.20	0.00	0.20	0.20	Solar PV	4x 50 kVA (ABB) Power-One Italy S.p.A PVS-50-TL	N/A	N/A	11/0.433	200 kVA	Type C		Type 4	Export
325	1/11/2022	Barossa	SSD681	NU15	0.20	0.00	0.20	0.20	Solar PV	4x 50 kVA (ABB) Power-One Italy S.p.A PVS-50-TL	N/A	N/A	11/0.433	200 kVA	Type C		Type 4	Export
326	1/11/2022	Murraylands	SSD405	SD39100	0.20	0.00	0.20	0.20	Solar PV	4x 50 kVA (ABB) Power-One Italy S.p.A PVS-50-TL	N/A	N/A	33/0.433	200 kVA	Type C		Type 4	Export
327	1/11/2022	Riverland	SSD420	BM54	0.10	0.00	0.10	0.10	Solar PV	1x 100 kVA Shenzhen Sinexcel Electric Co Ltd PWG2-100K-EX	N/A	N/A	11/0.433	200 kVA	Type A		Type 4	Export
328	1/11/2022	Riverland	SSD420	BM54	0.10	0.00	0.10	0.08	Solar PV	1x 100 kVA Shenzhen Sinexcel Electric Co Ltd PWG2-100K-EX	N/A	N/A	11/0.433	30 kVA	Type A		Type 4	Export
329	1/11/2022	Yorke Peninsula	SSD180	YK03	0.10	0.00	0.10	0.10	Solar PV	2x 50 kVA (ABB) Power-One Italy S.p.A PVS-50-TL	N/A	N/A	11/0.433	100 kVA	Type A		Type 4	Export
330	1/11/2022	Yorke Peninsula	SSD780	SD34102	1.93	0.00	1.93	1.88	Solar PV	11x 175 kVA (ABB) Power-One Italy S.p.A PVS-175-TL1-WB-SX2-IFANNMN	N/A	N/A	33		Type C		Type 2	Export
331	1/11/2022	Riverland	SSD235	LX42	0.18	0.00	0.18	0.18	Solar PV	3x 60 kVA SMA Australia Pty Ltd STP60-10	N/A	N/A	11/0.433	200 kVA	Type A		Type 4	Export
332	1/11/2022	Riverland	SSD235	LX41	0.20	0.00	0.20	0.20	Solar PV	2x 100 kVA Shenzhen Sinexcel Electric Co Ltd PWG2-100K-EX (AS4777-2 2020)	N/A	N/A	11/0.433	100 kVA	Type C		Type 4	Export
333	1/11/2022	Riverland	SSD168	WK11	0.20	0.00	0.20	0.20	Solar PV	4x 50 kVA (ABB) Power-One Italy S.p.A PVS-50-TL	N/A	N/A	11/0.433	200 kVA	Type C		Type 4	Export
334	1/11/2022	Metro North	SSD744	SA744H	0.10	0.00	0.10	0.00	Solar PV	1x 100 kVA SolarEdge Technologies Ltd SE100K (AS4777-2 2020)	N/A	N/A	11/0.433	750 kVA	Type A	Unity	Type 4	Non Export
335	28/10/2022	Metro West	SSD829	AP829B	0.11	0.00	0.11	0.11	Solar PV	1x 110 kVA Sungrow Power Supply Co Ltd SG110CX (AS4777-2 2020)	N/A	N/A	11/0.433	300 kVA	Type A	Unity	Type 4	Export
336	21/10/2022	Upper North	SSD396	SD32301	1.98	0.00	1.98	1.98	Solar PV	18x 110 kVA Sungrow Power Supply Co Ltd SG110CX (AS4777-2 2020)	N/A	N/A	33		Type C		Type 2	Export
337	19/10/2022	Metro South	SSD350	SM350B	0.05	0.00	0.05	0.05	Solar PV	2x 15 kVA Fronius Australia Pty Ltd Symo 15.0-3-M (AS4777-2 2020),1x 20 kVA Fronius Australia Pty Ltd Symo 20.0-3-M (AS4777-2 2020)	N/A	N/A	11/0.433	500 kVA	Type A	Unity	Type 4	Export
338	6/10/2022	Metro West	SSD520	SA520C	0.11	0.00	0.11	0.11	Solar PV	1x 110 kVA Sungrow Power Supply Co Ltd SG110CX (AS4777-2 2020)	N/A	N/A	11/0.433	1000 kVA	Type A		Type 4	Export
339	4/10/2022	Metro East	SSD121	HH121C	0.09	0.00	0.09	0.09	Solar PV + Storage	2x 25 kVA SolarEdge Technologies Ltd SE25K (AS4777-2 2020),4x 10 kVA Fronius Australia Primo GEN24 10.0 Plus	N/A	N/A	11/0.433	315 kVA	Type A	Unity	Type 4	Export
340	29/09/2022	Metro West	SSD132	AP132C	1.25	0.00	1.25	0.90	Solar PV + Storage	1x 252 kVA Tesla Motors Australia Pty Ltd Powerpack 252kVA,10x 50 kVA (ABB) Power-One Italy S.p.A TRIO-50.0-TL-OUTD	N/A	N/A	11		Type C		Type 2	Export
341	27/09/2022	Metro South	SSD116	ME116D	0.09	0.00	0.09	0.09	Solar PV + Storage	1x 20 kVA Fronius International GmbH Symo 20.0-3-M,2x 15 kVA Fronius International GmbH Symo 15.0-3-M,9x 4.6 kVA Sonnen GmbH Hybrid 9.53/15	N/A	N/A	11/0.433	200 kVA	Type A		Type 4	Export
342	26/09/2022	Metro South	SSD210	NL210C	0.07	0.00	0.07	0.02	Solar PV	14x 5 kVA Fronius Australia Pty Ltd Primo 5.0-1 (AS4777-2 2020)	N/A	N/A	11/0.433	1000 kVA	Type A		Type 4	Export
343	11/09/2022	Eyre Peninsula	SSD793	SD56301	4.95	0.00	4.95	4.00	Solar PV	1x 4950 kVA Sungrow SG4950HV-MV	N/A	N/A	33		Type C		Type 2	Export
344	8/09/2022	Metro North	SSD414	EL07	0.50	0.00	0.50	0.20	Solar PV	1x 100 kVA (ABB) Power-One Italy S.p.A PVS-100-TL,3x 110 kVA HUAWEI TECHNOLOGIES (AUSTRALIA) PTY LTD SUN2000-100KTL-M1 (Declaration),1x 55 kVA HUAWEI TECHNOLOGIES (AUSTRALIA) PTY LTD SUN2000-50KTL-M0,1x 12 kVA Huawei Technologies Co Ltd SUN2000-12KTL-M2 (AS4777-2 2020)	N/A	N/A	11/0.433	1500 kVA	Type C		Type 4	Export
345	5/09/2022	Metro East	SSD107	HH107E	0.09	0.00	0.09	0.02	Solar PV	3x 29.9 kVA Huawei Technologies Co Ltd SUN2000-29.9KTL-M3 (AS4777-2 2020)	N/A	N/A	11/0.433	500 kVA	Type A		Type 4	Export
346	30/08/2022	Metro East	SSD341	HH341K	0.14	0.00	0.14	0.14	Solar PV	1x 9 kVA SMA AUSTRALIA PTY LTD STP9000TL-20,1x 55 kVA Sungrow SG50CX (AS4777-2 2020),3x 25 kVA SMA AUSTRALIA PTY LTD STP25000TL-30	N/A	N/A	11/0.433	500 kVA	Type A	Unity	Type 4	Export
347	29/08/2022	Metro South	SSD131	ME131D	0.07	0.00	0.07	0.07	Solar PV + Storage	3x 5 kVA SolarEdge Technologies Ltd SE5000-AUS,2x 27.6 kVA SolarEdge Technologies Ltd SE27.6K	N/A	N/A	11/0.433	750 kVA	Type A		Type 4	Export
348	29/08/2022	Metro West	SSD829	AP829C	1.92	0.00	1.92	1.61	Solar PV + Storage	4x 50 kVA SMA Australia Pty Ltd STP 50-40,1x 218 kVA Tesla Motors Australia Pty Ltd Powerpack	N/A	N/A	11/0.433	2000 kVA	Type C		Type 4	Export

No.	Connection Date	Region	Substation	Feeder ID	Inverter Installed Capacity (MVA)	Rotating Installed Capacity (MVA)	Total Installed Capacity (MVA)	Allowable Export (MW)	Generation Fuel	Generating Unit Make & Model	Fault Contributions		Transformer Info		Protection and communication systems	Power Factor Control and/or Reactive Power Capability	Single Line Diagram of the Connection Arrangement	Export Details
											At Connection Point	Ph-Ground	Voltage (kV)	Rating				
										218kVA,15x 50 kVA SMA Australia Pty Ltd STP 50-40								
349	23/08/2022	CBD	SSD367	CBD367H	0.08	0.00	0.08	0.08	Solar PV	1x 82.8 kVA SolarEdge Technologies Ltd SE82.8K	N/A	N/A	11/0.433	500 kVA	Type A		Type 4	Export
350	23/08/2022	Metro South	SSD402	SM402A	0.07	0.00	0.07	0.04	Solar PV	2x 20 kVA Fronius Australia Pty Ltd Symo 20.0-3-M (AS4777-2 2020),1x 27 kVA Fronius Australia Pty Ltd Eco 27.0-3-S (AS4777-2 2020)	N/A	N/A	11/0.433	315 kVA	Type A	Unity	Type 4	Export
351	23/08/2022	Metro South	SSD200	ME200C	0.08	0.00	0.08	0.24	Solar PV	4x 20 kVA Sungrow Power Supply Co Ltd SG20RT (AS4777-2 2020)	N/A	N/A	11/0.433	1500 kVA	Type A		Type 4	Export
352	23/08/2022	Metro West	SSD355	AP355B	0.11	0.00	0.11	0.02	Solar PV	1x 110 kVA Sungrow Power Supply Co Ltd SG110CX (AS4777-2 2020)	N/A	N/A	11/0.433	200 kVA	Type A		Type 4	Export
353	12/08/2022	Metro West	SSD214	AP214D	0.11	0.00	0.11	0.02	Solar PV	1x 110 kVA SMA Solar Technology AG Core 2 STP 110-60	N/A	N/A	11/0.433	315 kVA	Type A		Type 4	Export
354	11/08/2022	Eastern Hills	SSD248	ST34	0.04	0.00	0.04	0.02	Solar PV	1x 30 kVA Shenzhen SOFARSOLAR Co Ltd SOFAR 30000TL-Sx,2x 5 kVA SolaX Power Network Technology Zhejiang Co Ltd X1-5.0-T-D(L) (Declaration)	N/A	N/A	11/0.433	20 kVA	Type A		Type 4	Export
355	8/08/2022	Metro South	SSD374	SM374D	0.08	0.00	0.08	0.02	Solar PV	3x 27 kVA Fronius Australia Pty Ltd Eco 27.0-3-S (AS4777-2 2020)	N/A	N/A	11/0.433	750 kVA	Type A		Type 4	Export
356	5/08/2022		SSD831	MG46	0.08	0.00	0.08	0.24	Solar PV	3x 27 kVA Fronius Australia Pty Ltd Eco 27.0-3-S (AS4777-2 2020)	N/A	N/A	11/0.433	300 kVA	Type A		Type 4	Export
357	5/08/2022	Metro South	SSD350	SM350C	0.06	0.00	0.06	0.00	Solar PV	2x 30 kVA SolarEdge Technologies Ltd SE30K (AS4777-2 2020)	N/A	N/A	11/0.433	1000 kVA	Type A		Type 4	Non Export
358	5/08/2022	Metro West	SSD149	AP149D	1.26	0.00	1.26	1.37	Storage	42x 30 kVA ELEXSYS R&D PTY LTD EEdS30 (AS4777-2 2020)	N/A	N/A	11/0.433	2000 kVA	Type C		Type 4	Export
359	5/08/2022	Metro West	SSD149	AP149D	1.26	0.00	1.26	1.37	Storage	42x 30 kVA ELEXSYS R&D PTY LTD EEdS 3042	N/A	N/A	11/0.433	2000 kVA	Type C		Type 4	Export
360	3/08/2022	Metro East	SSD428	HH428F	0.07	0.00	0.07	0.02	Solar PV	1x 66 kVA GoodWe Technologies Co Ltd GEP60-10 (AS4777-2 2020)	N/A	N/A	11/0.433	200 kVA	Type A		Type 4	Export
361	29/07/2022		SSD794	BS0340	0.00	4.00	4.00	0.00	Natural Gas Cogenerator	1x 4000 kVA GENERIC NON-INVERTER Natural Gas 4MW	N/A	N/A	11		Type E		Type 2	Non Export
362	29/07/2022	CBD	SSD155	CBD155D	0.13	0.31	0.44	0.44	Natural Gas Cogenerator + Solar PV	1x 130 kVA Unknown Unknown,1x 310 kVA Simons Green ENER310 CHP	N/A	N/A	11		Type K		Type 2	Export
363	29/07/2022	Metro South	SSD131	ME131E	0.19	0.00	0.19	0.20	Solar PV	2x 40 kVA Gintong Technologies Co Ltd Solis-40K-5G-AU (AS4777-2 2020),1x 110 kVA Sungrow Power Supply Co Ltd SG110CX (AS4777-2 2020)	N/A	N/A	11/0.433	300 kVA	Type A		Type 4	Export
364	26/07/2022	Metro South	SSD111	NL111A	0.08	0.00	0.08	0.00	Solar PV	4x 20 kVA Fronius Australia Pty Ltd Symo 20.0-3-M (AS4777-2 2020)	N/A	N/A	11/0.433	500 kVA	Type A		Type 4	Non Export
365	17/07/2022	Metro South	SSD179	SM179A	0.22	0.00	0.22	0.02	Solar PV	2x 110 kVA SMA Solar Technology AG STP 110-60	N/A	N/A	11/0.433	1500 kVA	Type B		Type 4	Export
366	14/07/2022	CBD	SSD366	CBD366B	0.10	0.00	0.10	0.10	Solar PV	4x 25 kVA SMA Australia Pty Ltd STP25000TL-30	N/A	N/A	11/0.433	750 kVA	Type A		Type 4	Export
367	14/07/2022	CBD	SSD412	CBD412H	0.11	0.00	0.11	0.11	Solar PV	4x 27.6 kVA SolarEdge Technologies Ltd SE27.6K	N/A	N/A	11/0.433	750 kVA	Type A		Type 4	Export
368	14/07/2022	Metro West	SSD829	AP829B	0.05	0.00	0.05	0.05	Solar PV	2x 27 kVA Fronius Australia ECO 27.0-3-S	N/A	N/A	11/0.433	315 kVA	Type A		Type 4	Export
369	14/07/2022	Metro East	SSD522	HH522A	0.08	0.00	0.08	0.08	Solar PV	3x 27 kVA Fronius Australia ECO 27.0-3-S	N/A	N/A	11/0.433	150 kVA	Type A		Type 4	Export
370	14/07/2022	Metro South	SSD111	NL111A	0.08	0.00	0.08	0.08	Solar PV	1x 82.8 kVA SolarEdge Technologies Ltd SE82.8K	N/A	N/A	11/0.433	2000 kVA	Type A		Type 4	Export
371	14/07/2022	Mid North	SSD230	GA02	0.06	0.00	0.06	0.06	Solar PV	3x 20 kVA Fronius International GmbH Symo 20.0-3-M	N/A	N/A	11/0.433	200 kVA	Type A		Type 4	Export
372	14/07/2022	Barossa	SSD294	NU25	0.09	0.00	0.09	0.09	Solar PV	3x 30 kVA SolarEdge Technologies Ltd SE30K	N/A	N/A	11/0.433	500 kVA	Type A		Type 4	Export
373	14/07/2022	Eastern Hills	SSD250	ST11	0.04	0.00	0.04	0.04	Solar PV	2x 20 kVA SMA Australia Pty Ltd STP20000TL-30	N/A	N/A	11/0.433	200 kVA	Type A		Type 4	Export
374	14/07/2022	Fleurieu Peninsula	SSD317	MV31	1.24	0.00	1.24	0.75	Solar PV + Storage	10x 75 kVA SMA Solar Technology Ag Sunny Highpower PEAK1,1x 490 kVA TESLA MOTORS AUSTRALIA PTY LTD OWERPACK 2 490KVA	N/A	N/A	11/0.433	1000 kVA	Type C		Type 4	Export
375	14/07/2022	Metro West	SSD139	AP139C	0.38	0.00	0.38	0.20	Solar PV	1x 12.5 kVA Fronius International GmbH Symo 12.5-3-M,1x 15 kVA Fronius International GmbH Symo 15.0-3-M,8x 27 kVA Fronius Australia ECO 27.0-3-S,5x 27 kVA Fronius Australia ECO 27.0-3-S	N/A	N/A	11/0.433	750 kVA	Type B		Type 4	Export
376	14/07/2022	Fleurieu Peninsula	SSD368	VH12	0.08	0.00	0.08	0.08	Solar PV	3x 27 kVA Fronius Australia ECO 27.0-3-S	N/A	N/A	11/0.433	1000 kVA	Type A		Type 4	Export

No.	Connection Date	Region	Substation	Feeder ID	Inverter Installed Capacity (MVA)	Rotating Installed Capacity (MVA)	Total Installed Capacity (MVA)	Allowable Export (MW)	Generation Fuel	Generating Unit Make & Model	Fault Contributions		Transformer Info		Protection and communication systems	Power Factor Control and/or Reactive Power Capability	Single Line Diagram of the Connection Arrangement	Export Details
											At Connection Point	Ph-Ground	Voltage (kV)	Rating				
377	14/07/2022	Eastern Hills	SSD777	MTB11	0.06	0.00	0.06	0.06	Solar PV	1x 55 kVA Huawei Technologies Co Ltd SUN2000-50KTL-M0	N/A	N/A	11/0.433	300 kVA	Type A		Type 4	Export
378	14/07/2022	Eastern Hills	SSD242	ST41	0.05	0.00	0.05	0.05	Solar PV	1x 50 kVA SMA Australia Pty Ltd STP 50-40	N/A	N/A	11/0.433	75 kVA	Type A		Type 4	Export
379	14/07/2022	Riverland	SSD420	BM55	0.10	0.00	0.10	0.10	Solar PV	1x 100 kVA (ABB) Power-One Italy S.p.A PVS-100-TL	N/A	N/A	11/0.433	200 kVA	Type A		Type 4	Export
380	14/07/2022	South East	SSD195	MG41	0.10	0.00	0.10	0.10	Solar PV	2x 50 kVA SMA Solar Technology Ag SMA Sunny Tripower CORE1 STP 50-40	N/A	N/A	11/0.433	500 kVA	Type A		Type 4	Export
381	14/07/2022	Metro East	SSD177	HH177C	0.10	0.00	0.10	0.10	Solar PV	2x 50 kVA SMA Australia Pty Ltd STP 50-40	N/A	N/A	11/0.433	750 kVA	Type A		Type 4	Export
382	14/07/2022	Metro North	SSD273	GA15	0.07	0.00	0.07	0.10	Solar PV + Storage	2x 33.3 kVA SolarEdge Technologies Ltd SE33.3K	N/A	N/A	11/0.433	50 kVA	Type A		Type 4	Export
383	14/07/2022	Metro West	SSD829	AP829K	0.06	0.00	0.06	0.06	Solar PV	1x 27 kVA Fronius Australia ECO 27.0-3-S, 1x 10 kVA Fronius International GmbH Symo 10.0-3-M	N/A	N/A	11/0.433	750 kVA	Type A		Type 4	Export
384	14/07/2022	Metro West	SSD149	AP149D	0.48	0.00	0.48	0.48	Solar PV	8x 60 kVA SMA Australia Pty Ltd STP60-10	N/A	N/A	11/0.433	1500 kVA	Type C		Type 4	Export
385	14/07/2022	Metro West	SSD149	AP149D	0.48	0.00	0.48	0.48	Solar PV	8x 60 kVA SMA Australia Pty Ltd STP60-10	N/A	N/A	11/0.433	1500 kVA	Type C	Unity	Type 4	Export
386	14/07/2022	South East	SSD195	MG41	0.10	0.00	0.10	0.10	Solar PV	4x 25 kVA Fronius Australia ECO 25.0-3-S	N/A	N/A	11/0.433	300 kVA	Type A		Type 4	Export
387	14/07/2022	Metro West	SSD829	AP829K	0.09	0.00	0.09	0.09	Solar PV	3x 30 kVA Gintong Technologies Co Ltd Solis-30K	N/A	N/A	11/0.433	750 kVA	Type A		Type 4	Export
388	14/07/2022	Metro West	SSD520	SA520B	0.10	0.00	0.10	0.10	Solar PV	4x 25 kVA Fronius Australia ECO 25.0-3-S	N/A	N/A	11/0.433	500 kVA	Type A		Type 4	Export
389	14/07/2022	Mid North	SSD230	GA26	0.08	0.00	0.08	0.08	Solar PV	3x 25 kVA SMA Australia Pty Ltd STP25000TL-30	N/A	N/A	11/0.433	1500 kVA	Type A		Type 4	Export
390	14/07/2022	Eastern Hills	SSD777	MTB12	0.09	0.00	0.09	0.09	Solar PV	3x 29.9 kVA Huawei Technologies Co Ltd SUN2000-29.9KTL	N/A	N/A	11/0.433	315 kVA	Type A		Type 4	Export
391	14/07/2022	Riverland	SSD399	BM42	0.10	0.00	0.10	0.10	Solar PV	1x 100 kVA Huawei Technologies Co Ltd SUN2000-100KTL-M1	N/A	N/A	11/0.433	315 kVA	Type A		Type 4	Export
392	14/07/2022	Eastern Hills	SSD178	GU41	0.09	0.00	0.09	0.09	Solar PV	2x 25 kVA Fronius Australia ECO 25.0-3-S, 1x 8.2 kVA Fronius International GmbH Symo 8.2-3-M, 3x 10 kVA SMA Solar Technology AG STP 10000TL-20	N/A	N/A	11/0.433	200 kVA	Type A		Type 4	Export
393	14/07/2022	Eastern Hills	SSD777	MTB11	0.07	0.00	0.07	0.07	Solar PV	1x 27.6 kVA (ABB) Power-One Italy S.p.A TRIO-27.6-TL-OUTD-400, 1x 17.5 kVA Fronius International GmbH Symo 17.5-3-M	N/A	N/A	11/0.433	200 kVA	Type A		Type 4	Export
394	14/07/2022	Metro East	SSD341	HH341B	0.20	0.00	0.20	0.20	Solar PV	4x 50 kVA SolarEdge Technologies Ltd SE50K	N/A	N/A	11/0.433	1000 kVA	Type C		Type 4	Export
395	14/07/2022	Metro South	SSD760	NL760A	0.08	0.00	0.08	0.08	Solar PV	1x 80 kVA JIANGSU GOODWE POWER SUPPLY TECHNOLOGY CO LTD GW80K-MT	N/A	N/A	11/0.433	315 kVA	Type A		Type 4	Export
396	14/07/2022	Metro North	SSD407	SA17	0.20	0.00	0.20	0.20	Solar PV	1x 100 kVA (ABB) Power-One Italy S.p.A PVS-100-TL	N/A	N/A	11/0.433	1500 kVA	Type C		Type 4	Export
397	14/07/2022	Metro East	SSD386	HH386E	0.03	0.00	0.03	0.03	Solar PV	1x 12.5 kVA Fronius International GmbH Symo 12.5-3-M, 2x 10 kVA Fronius International GmbH Symo 10.0-3-M	N/A	N/A	11/0.433	1000 kVA	Type A		Type 4	Export
398	14/07/2022	Murraylands	SSD114	SD40200	4.95	0.00	4.95	4.46	Solar PV	2x 2475 kVA SMA Solar Technology AG SC-2475	N/A	N/A	33		Type C		Type 2	Export
399	14/07/2022	Eastern Hills	SSD369	SD41300	1.34	0.00	1.34	0.98	Solar PV + Storage	13x 75 kVA SMA Solar Technology Ag Sunny Highpower PEAK1, 1x 366 kVA TESLA MOTORS AUSTRALIA PTY LTD POWERPACK 366KVA	N/A	N/A	33/0.433	1500 kVA	Type C		Type 4	Export
400	14/07/2022	Metro West	SSD351	AP351M	0.38	0.00	0.38	0.00	Solar PV	5x 75 kVA SMA Australia Pty Ltd SHP75-10	N/A	N/A	11		Type B		Type 2	Non Export
401	14/07/2022	Metro East	SSD102	HH102C	0.08	0.00	0.08	0.08	Solar PV	1x 17.5 kVA Fronius International GmbH Symo 17.5-3-M, 1x 15 kVA Fronius International GmbH Symo 15.0-3-M, 1x 20 kVA Fronius International GmbH Symo 20.0-3-M, 1x 25 kVA Fronius Australia ECO 25.0-3-S	N/A	N/A	11/0.433	500 kVA	Type A		Type 4	Export
402	14/07/2022	Metro South	SSD111	NL111A	0.08	0.00	0.08	0.08	Solar PV	4x 20 kVA Fronius International GmbH Symo 20.0-3-M	N/A	N/A	11/0.433	300 kVA	Type A		Type 4	Export
403	14/07/2022	Metro South	SSD111	NL111D	0.11	0.00	0.11	0.11	Solar PV	1x 110 kVA Sungrow Power Supply Co Ltd SG110CX	N/A	N/A	11/0.433	750 kVA	Type A		Type 4	Export
404	14/07/2022	Metro North	SSD129	SA32	0.11	0.00	0.11	0.11	Solar PV	1x 25 kVA Fronius Australia ECO 25.0-3-S, 3x 27 kVA Fronius Australia ECO 27.0-3-S	N/A	N/A	11/0.433	750 kVA	Type A		Type 4	Export
405	14/07/2022	Metro East	SSD341	HH341C	0.08	0.00	0.08	0.02	Solar PV	1x 25 kVA SMA Australia Pty Ltd STP25000TL-30	N/A	N/A	11/0.433	300 kVA	Type A		Type 4	Export
406	14/07/2022	CBD	SSD412	CBD412R	0.16	0.00	0.16	0.16	Solar PV	1x 55 kVA Huawei Technologies Co Ltd SUN2000-50KTL-M0, 1x 15 kVA Huawei Technologies Co Ltd	N/A	N/A	11/0.433	500 kVA	Type A		Type 4	Export

No.	Connection Date	Region	Substation	Feeder ID	Inverter Installed Capacity (MVA)	Rotating Installed Capacity (MVA)	Total Installed Capacity (MVA)	Allowable Export (MW)	Generation Fuel	Generating Unit Make & Model	Fault Contributions		Transformer Info		Protection and communication systems	Power Factor Control and/or Reactive Power Capability	Single Line Diagram of the Connection Arrangement	Export Details
											At Connection Point	Ph-Ground	Voltage (kV)	Rating				
										SUN2000-15kTL-M0,3x 29.9 kVA Huawei Technologies Co Ltd SUN2000-29.9KTL								
407	14/07/2022	Metro East	SSD145	HH145E	0.08	0.00	0.08	0.08	Solar PV	1x 27 kVA Fronius Australia ECO 27.0-3-S	N/A	N/A	11/0.433	750 kVA	Type A		Type 4	Export
408	14/07/2022	South East	SSD195	MG41	0.10	0.00	0.10	0.10	Solar PV	2x 50 kVA SMA Solar Technology Ag SMA Sunny Tripower CORE1 STP 50-40	N/A	N/A	11/0.433	500 kVA	Type A		Type 4	Export
409	14/07/2022	Mid North	SSD191	CL06	0.10	0.00	0.10	0.02	Solar PV	4x 25 kVA Fronius Australia ECO 25.0-3-S	N/A	N/A	11/0.433	1500 kVA	Type A		Type 4	Export
410	12/07/2022	CBD	SSD366	CBD366L	0.00	0.07	0.07	0.07	Natural Gas Generator + Solar PV	1x 2.5 kVA unknown PV inverter unknown PV inverter, 1x 65 kVA Capstone C65	N/A	N/A	11/0.433	1000 kVA	Type K		Type 3	Export
411	12/07/2022	Metro South	SSD350	SM350D	0.00	0.20	0.20	0.00	Natural Gas Generator	3x 65 kVA Capstone C65	N/A	N/A	11/0.433	1500 kVA	Type E		Type 3	Non Export
412	12/07/2022	Fleurieu Peninsula	SSD450	KI31	0.00	0.68	0.68	0.00	Diesel Generator	3x 225 kVA GENERIC NON-INVERTER Diesel 225kVA	N/A	N/A	11/0.433	500 kVA	Type E		Type 3	Non Export
413	12/07/2022	Metro East	SSD103	CBD103D	0.00	1.92	1.92	0.00	Natural Gas Cogenerator	1x 1920 kVA GENERIC NON-INVERTER Natural Gas Cogen 1.92MW	N/A	N/A	11/0.433	1500 kVA	Type E		Type 5	Non Export
414	12/07/2022	Metro South	SSD350	SM350C	0.00	0.53	0.53	0.00	Other	1x 526 kVA GENERIC NON-INVERTER Natural Gas 526kVA	N/A	N/A	11/0.433	1000 kVA	Type E		Type 3	Non Export
415	12/07/2022	Metro South	SSD511	NL511D	0.00	0.26	0.26	0.00	Natural Gas Generator	1x 255 kVA GENERIC NON-INVERTER Natural Gas 255kVA	N/A	N/A	11/0.433	300 kVA	Type E		Type 3	Non Export
416	11/07/2022	Metro North	SSD422	SD2008	0.00	4.00	4.00	0.00	Diesel Generator	1x 4000 kVA GENERIC NON-INVERTER Diesel 4MW	N/A	N/A	66		Type E		Type 2	Non Export
417	11/07/2022	Metro South	SSD349	SM349F	0.00	1.50	1.50	1.47	Water Generator	1x 1500 kVA GENERIC NON-INVERTER Hydro 1.5MW	N/A	N/A	11/0.433	2000 kVA	Type E		Type 3	Export
418	11/07/2022	South East	SSD198	MI01	0.06	0.00	0.06	0.05	Solar PV	2x 30 kVA Ginlong Technologies Co Ltd GCI-30K-W	N/A	N/A	11/0.433	200 kVA	Type A		Type 4	Export
419	8/07/2022	Metro West	SSD829	AP829D	0.00	4.00	4.00	4.00	Waste Gas Generator	1x 4000 kVA GENERIC NON-INVERTER Waste Gas 4MW	N/A	N/A	11		Type E		Type 2	Export
420	8/07/2022	Metro West	SSD132	AP132C	0.00	4.00	4.00	4.00	Waste Gas Generator	1x 4000 kVA GENERIC NON-INVERTER Waste Gas 4MW	N/A	N/A	11/0.433	200 kVA	Type E		Type 3	Export
421	8/07/2022	Metro East	SSD522	HH522B	0.00	1.86	1.86	1.86	Water Generator	1x 1860 kVA GENERIC NON-INVERTER Hydro 1.86MW	N/A	N/A	11		Type E		Type 2	Export
422	8/07/2022	Riverland	SSD420	BM55	0.08	0.00	0.08	0.02	Solar PV	2x 40 kVA Huawei Technologies Co Ltd SUN2000-40KTL-M3 (AS4777-2 2020)	N/A	N/A	11/0.433	200 kVA	Type A		Type 4	Export
423	7/07/2022	Yorke Peninsula	SSD418	MT06	0.04	0.00	0.04	0.02	Solar PV	1x 27 kVA Fronius Australia Pty Ltd Eco 27.0-3-S (AS4777-2 2020), 1x 17.5 kVA Fronius International GmbH Symo 17.5-3-M	N/A	N/A	11/0.433	500 kVA	Type A		Type 4	Export
424	6/07/2022	Metro North	SSD744	SA744C	0.12	0.00	0.12	0.10	Solar PV	3x 15 kVA SMA Australia Pty Ltd STP 15000TL-10, 1x 20 kVA SMA Australia Pty Ltd STP20000TL-30, 2x 25 kVA SMA Australia Pty Ltd STP25000TL-30	N/A	N/A	11/0.433	315 kVA	Type A		Type 4	Export
425	6/07/2022	Metro East	SSD432	HH432D	2.20	0.00	2.20	2.00	Solar PV + Storage	1x 218 kVA Tesla Motors Australia Pty Ltd Powerpack 218kVA, 15x 50 kVA SMA Australia Pty Ltd STP 50-40, 3x 10 kVA SMA Solar Technology AG STP 10000TL-20, 9x 50 kVA SMA Australia Pty Ltd STP 50-40	N/A	N/A	11/0.433	1000 kVA	Type C		Type 4	Export
426	6/07/2022	Mid North	SSD230	GA02	0.80	0.00	0.80	0.20	Solar PV	4x 27.6 kVA SolarEdge Technologies Ltd SE27.6K, 5x 27.6 kVA SolarEdge Technologies Ltd SE27.6K	N/A	N/A	11/0.433	1500 kVA	Type C		Type 4	Export
427	6/07/2022	South East	SSD224	BT03	0.00	0.48	0.48	0.00	Diesel Generator	1x 480 kVA Caterpillar G3412 Diesel Engine Caterpillar G3412 Diesel Engine	N/A	N/A	11/0.433	750 kVA	Type E		Type 3	Non Export
428	4/07/2022	Eastern Hills	SSD247	MTB61	0.05	0.00	0.05	0.02	Solar PV	1x 5 kVA Shenzhen Growatt New Energy Co Ltd MOD 5000TL3-X (AS4777-2 2020), 1x 10 kVA Shenzhen Growatt New Energy Co Ltd MOD 10KTL3-X-AU (AS4777-2 2020), 1x 15 kVA SMA Australia Pty Ltd STP 15000TL-10	N/A	N/A	11/0.433	63 kVA	Type A		Type 4	Export
429	27/06/2022	Fleurieu Peninsula	SSD324	KI41	0.05	0.00	0.05	0.02	Solar PV	4x 12.5 kVA (ABB) Power-One Italy S.p.A PVI-12.5-OUTD-AU	N/A	N/A	11/0.433	150 kVA	Type A		Type 4	Export
430	21/06/2022	Yorke Peninsula	SSD776	SD51102	4.95	0.00	4.95	4.95	Solar PV	99x 50 kVA Chint Power Chint Power Cps SCA50KTL-T	N/A	N/A	33		Type C		Type 2	Export

No.	Connection Date	Region	Substation	Feeder ID	Inverter Installed Capacity (MVA)	Rotating Installed Capacity (MVA)	Total Installed Capacity (MVA)	Allowable Export (MW)	Generation Fuel	Generating Unit Make & Model	Fault Contributions		Transformer Info		Protection and communication systems	Power Factor Control and/or Reactive Power Capability	Single Line Diagram of the Connection Arrangement	Export Details
											At Connection Point	Ph-Ground	Voltage (kV)	Rating				
431	21/06/2022	Barossa	SSD788	NU34	0.10	0.00	0.10	0.10	Solar PV	5x 17 kVA SMA Australia Pty Ltd STP 17000TL-10,1x 15 kVA SMA Australia Pty Ltd STP 15000TL-10	N/A	N/A	11/0.433	200 kVA	Type A		Type 4	Export
432	16/06/2022	Metro East	SSD341	HH341H	0.04	0.00	0.04	0.02	Solar PV	1x 10 kVA Huawei Technologies Co Ltd SUN2000-10KTL-M2 (AS4777-2 2020),2x 5 kVA Huawei Technologies Co Ltd SUN2000-5KTL-L1 (AS4777-2 2020),1x 5.8 kVA Tesla Motors Australia Pty Ltd Powerwall 2,1x 10 kVA Fronius International GmbH 10.0-3-M	N/A	N/A	11/0.433	315 kVA	Type A		Type 4	Export
433	15/06/2022	Metro East	SSD118	HH118C	0.05	0.00	0.05	0.02	Solar PV	1x 20 kVA JIANGSU GOODWE POWER SUPPLY TECHNOLOGY CO LTD GW20KN-DT,2x 15 kVA Fronius International GmbH Symo 15.0-3-M	N/A	N/A	11/0.433	500 kVA	Type A		Type 4	Export
434	14/06/2022	Metro West	SSD214	AP214C	0.10	0.00	0.10	0.02	Solar PV	1x 99.99 kVA GoodWe Technologies Co Ltd GW100K-HT (AS4777-2 2020)	N/A	N/A	11/0.433	750 kVA	Type A		Type 4	Export
435	9/06/2022	Metro North	SSD744	SA744G	0.16	0.00	0.16	0.02	Solar PV	3x 27 kVA Fronius Australia ECO 27.0-3-S,3x 27 kVA Fronius Australia Pty Ltd Eco 27.0-3-S (AS4777-2 2020)	N/A	N/A	11/0.433	300 kVA	Type A		Type 4	Export
436	6/06/2022		SSD725	BS0098	4.50	0.00	4.50	4.50	Natural Gas Cogenerator	1x 4500 kVA GENERIC NON-INVERTER Natural Gas Cogenerator 4.5MW	N/A	N/A	11		Type C		Type 2	Export
437	31/05/2022	Metro North	SSD184	EL20	0.10	0.00	0.10	0.30	Solar PV	2x 25 kVA Fronius Australia 25.0-3-S,2x 15 kVA Fronius International GmbH 15.0-3-M,1x 20 kVA Fronius International GmbH Symo 20.0-3-M	N/A	N/A	11/0.433	750 kVA	Type A		Type 4	Export
438	31/05/2022	Metro West	SSD829	AP829B	0.10	0.00	0.10	0.31	Solar PV	1x 20 kVA Fimer SpA PVS-20-TL-SX (Declaration),3x 27.6 kVA (ABB) Power-One Italy S.p.A TRIO-27.6-TL-OUTD-400	N/A	N/A	11/0.433	315 kVA	Type A		Type 4	Export
439	31/05/2022	Metro West	SSD520	SA520E	0.10	0.00	0.10	0.30	Solar PV	5x 20 kVA Schneider Electric (Australia) Pty Ltd Conext TL 20000E	N/A	N/A	11/0.433	500 kVA	Type A		Type 4	Export
440	31/05/2022	Metro South	SSD544	NL544B	0.17	0.00	0.17	0.50	Solar PV	6x 27.6 kVA (ABB) Power-One Italy S.p.A TRIO-27.6-TL-OUTD-400	N/A	N/A	11/0.433	750 kVA	Type A		Type 4	Export
441	31/05/2022	Yorke Peninsula	SSD780	SD34102	0.80	0.00	0.80	2.40	Solar PV	4x 50 kVA (ABB) Power-One Italy S.p.A TRIO-TM-50.0-400,12x 50 kVA (ABB) Power-One Italy S.p.A PVS-50-TL	N/A	N/A	33/0.433	1000 kVA	Type C		Type 4	Export
442	31/05/2022	Riverland	SSD168	WK11	0.10	0.00	0.10	0.21	Solar PV	10x 10 kVA SolaX Power Network Technology (Zhejiang) Co Ltd X3-MIC-10K-G2 (Declaration)	N/A	N/A	11/0.433	100 kVA	Type A		Type 4	Export
443	24/05/2022	Metro South	SSD456	MV61	0.09	0.00	0.09	0.03	Solar PV	376x 0.23 kVA Enphase Energy Australia Pty Ltd S230-60-LN-2-AU	N/A	N/A	11/0.433	150 kVA	Type A		Type 4	Export
444	23/05/2022	Metro North	SSD501	SA42	0.04	0.00	0.04	0.04	Solar PV + Storage	4x 10 kVA JIANGSU GOODWE POWER SUPPLY TECHNOLOGY CO LTD GW10KL-ET	N/A	N/A	11/0.433	315 kVA	Type A		Type 4	Export
445	23/05/2022	Barossa	SSD788	NU34	0.20	0.00	0.20	0.20	Solar PV	5x 25 kVA Fronius Australia ECO 25.0-3-S,1x 20 kVA Fronius International GmbH Symo 20.0-3-M,2x 27 kVA Fronius Australia 27.0-3-S	N/A	N/A	11/0.433	750 kVA	Type A		Type 4	Export
446	23/05/2022	Metro North	SSD711	SA711D	4.72	0.00	4.72	0.00	Diesel Generator + Non IES + Solar PV	2x 15 kVA SMA Australia Pty Ltd STP 15000TL-10,1x 1000 kVA Unknown Unknown,2x 1500 kVA FG Wilson LL8224N,9x 75 kVA SMA Australia Pty Ltd SHP75-10,1x 10 kVA SMA Solar Technology AG SMC10000TL-10	N/A	N/A	11		Type B		Type 2	Non Export
447	23/05/2022	Metro West	SSD427	ME427F	0.11	0.00	0.11	0.04	Solar PV	2x 55 kVA Huawei Technologies Co Ltd SUN2000-50KTL-M0	N/A	N/A	11/0.433	300 kVA	Type A		Type 4	Export
448	23/05/2022	Riverland	SSD259	LX53	0.10	0.00	0.10	0.11	Solar PV	2x 50 kVA (ABB) Power-One Italy S.p.A PVS-50-TL	N/A	N/A	11/0.433	200 kVA	Type A		Type 4	Export
449	23/05/2022	Barossa	SSD788	NU33	0.50	0.00	0.50	0.50	Solar PV	1x 20 kVA Fronius International GmbH Symo 20.0-3-M,8x 25 kVA Fronius Australia ECO 25.0-3-S,1x 15 kVA Fronius International GmbH Symo 15.0-3-M,3x 20 kVA Fronius International GmbH Symo 20.0-3-M,1x 27 kVA Fronius Australia ECO 27.0-3-S,2x 10 kVA Fronius International GmbH Symo 10.0-3-M,5x 25 kVA Fronius Australia 25.0-3-S,2x 15 kVA Fronius International GmbH Symo 15.0-3-M	N/A	N/A	11/0.433	1000 kVA	Type C		Type 4	Export
450	23/05/2022	Metro West	SSD146	AP146A	0.07	0.00	0.07	0.07	Solar PV	1x 17 kVA SolarEdge Technologies Ltd SE17K,1x 50 kVA SolarEdge Technologies Ltd SE50K	N/A	N/A	11/0.433	1000 kVA	Type A		Type 4	Export

No.	Connection Date	Region	Substation	Feeder ID	Inverter Installed Capacity (MVA)	Rotating Installed Capacity (MVA)	Total Installed Capacity (MVA)	Allowable Export (MW)	Generation Fuel	Generating Unit Make & Model	Fault Contributions		Transformer Info		Protection and communication systems	Power Factor Control and/or Reactive Power Capability	Single Line Diagram of the Connection Arrangement	Export Details
											At Connection Point	Ph-Ground	Voltage (kV)	Rating				
451	23/05/2022	Metro North	SSD744	SA744H	0.11	0.00	0.11	0.11	Solar PV	1x 110 kVA Sungrow Power Supply Co Ltd SG110CX	N/A	N/A	11/0.433	300 kVA	Type A		Type 4	Export
452	23/05/2022	Metro West	SSD344	AP344F	0.10	0.00	0.10	0.10	Solar PV	1x 100 kVA (ABB) Power-One Italy S.p.A PVS-100-TL	N/A	N/A	11/0.433	500 kVA	Type A		Type 4	Export
453	23/05/2022	Upper North	SSD460	PP09	0.13	0.00	0.13	0.08	Solar PV + Storage	3x 7.5 kVA Selectronic Australia SPMC482-AU,2x 5 kVA SMA Solar Technology AG SB5000TL-20,4x 25 kVA Fronius Australia 25.0-3-S	N/A	N/A	11/0.433	300 kVA	Type A		Type 4	Export
454	22/05/2022	Metro East	SSD121	HH121D	0.16	0.00	0.16	0.16	Solar PV	1x 15 kVA Fronius International GmbH Symo 15.0-3-M,5x 27 kVA Fronius Australia ECO 27.0-3-S,1x 12.5 kVA Fronius International GmbH Symo 12.5-3-M	N/A	N/A	11/0.433	750 kVA	Type A		Type 4	Export
455	19/05/2022	Mid North	SSD230	GA53	0.22	0.00	0.22	0.22	Solar PV	8x 27 kVA Fronius Australia 27.0-3-S	N/A	N/A	11/0.433	750 kVA	Type C		Type 4	Export
456	19/05/2022	Mid North	SSD230	GA53	0.15	0.00	0.15	0.15	Solar PV	6x 25 kVA Fronius Australia 25.0-3-S	N/A	N/A	11/0.433	750 kVA	Type A		Type 4	Export
457	19/05/2022	Murraylands	SSD151	MB17	0.50	0.00	0.50	0.42	Solar PV	10x 50 kVA (ABB) Power-One Italy S.p.A TRIO-50.0-TL-OUTD	N/A	N/A	11/0.433	2000 kVA	Type C		Type 4	Export
458	19/05/2022	Murraylands	SSD151	MB11	0.45	0.00	0.45	0.38	Solar PV	9x 50 kVA (ABB) Power-One Italy S.p.A TRIO-50.0-TL-OUTD	N/A	N/A	11/0.433	2000 kVA	Type C		Type 4	Export
459	18/05/2022	Metro South	SSD200	ME200A	0.19	0.00	0.19	0.19	Solar PV	8x 20 kVA Fronius International GmbH Symo 20.0-3-M,1x 27 kVA Fronius Australia 27.0-3-S	N/A	N/A	11/0.433	500 kVA	Type A		Type 4	Export
460	18/05/2022	Metro South	SSD349	SM349C	0.10	0.00	0.10	0.10	Solar PV	4x 25 kVA Fronius Australia 25.0-3-S	N/A	N/A	11/0.433	750 kVA	Type A		Type 4	Export
461	18/05/2022	Mid North	SSD190	CL09	0.12	0.00	0.12	0.12	Solar PV	6x 20 kVA Delta Energy Systems (Germany) GmbH SOLVIA20EUG4TL/EOE48010364	N/A	N/A	11/0.433	315 kVA	Type A		Type 4	Export
462	18/05/2022	Mid North	SSD192	R02	0.10	0.00	0.10	0.09	Solar PV	4x 25 kVA SMA Australia Pty Ltd STP25000TL-30	N/A	N/A	11/0.433	300 kVA	Type A		Type 4	Export
463	18/05/2022	Eastern Hills	SSD178	GU41	0.05	0.00	0.05	0.02	Solar PV	1x 50 kVA SolarEdge Technologies Ltd SE50K	N/A	N/A	11/0.433	300 kVA	Type A		Type 4	Export
464	18/05/2022	Metro West	SSD829	AP829K	0.11	0.00	0.11	0.11	Solar PV	1x 110 kVA Sungrow Power Supply Co Ltd SG110CX	N/A	N/A	11/0.433	750 kVA	Type A		Type 4	Export
465	18/05/2022	Metro West	SSD227	AP227C	0.10	0.00	0.10	0.03	Solar PV	9x 11 kVA SMA Australia Pty Ltd 11000TL	N/A	N/A	11/0.433	150 kVA	Type A		Type 4	Export
466	18/05/2022	Metro East	SSD341	HH341G	0.11	0.00	0.11	0.11	Solar PV	1x 110 kVA SMA Solar Technology AG Core 2 STP 110-60	N/A	N/A	11/0.433	1000 kVA	Type A		Type 4	Export
467	18/05/2022	Metro North	SSD744	SA744G	0.41	0.00	0.41	0.41	Solar PV	15x 27.6 kVA (ABB) Power-One Italy S.p.A TRIO-27.6-TL-OUTD-400	N/A	N/A	11/0.433	1500 kVA	Type C		Type 4	Export
468	18/05/2022	Riverland	SSD167	LX21	0.19	0.00	0.19	0.19	Solar PV	3x 50 kVA (ABB) Power-One Italy S.p.A TRIO-50.0-TL-OUTD,2x 20 kVA (ABB) Power-One Italy S.p.A TRIO-20.0-TL-OUTD-400	N/A	N/A	33/0.433	200 kVA	Type A		Type 4	Export
469	18/05/2022	Metro South	SSD456	MV63	0.12	0.00	0.12	0.12	Solar PV	4x 29.9 kVA Sungrow Power Supply Co Ltd SG30CX	N/A	N/A	11/0.433	2000 kVA	Type A		Type 4	Export
470	18/05/2022	Riverland	SSD259	LX53	0.10	0.00	0.10	0.05	Solar PV	2x 50 kVA (ABB) Power-One Italy S.p.A PVS-50-TL	N/A	N/A	11/0.433	200 kVA	Type A		Type 4	Export
471	18/05/2022	Metro East	SSD341	HH341A	0.25	0.00	0.25	0.00	Diesel Generator + Solar PV	1x 200 kVA GENERIC NON-INVERTER PLGPM108S,3x 17.5 kVA Fronius International GmbH Symo 17.5-3-M	N/A	N/A	11/0.433	300 kVA	Type B		Type 4	Non Export
472	18/05/2022	Mid North	SSD230	GA53	0.23	0.00	0.23	0.23	Solar PV	2x 25 kVA Fronius Australia 25.0-3-S,1x 15 kVA Fronius International GmbH Symo 15.0-3-M,4x 27 kVA Fronius Australia 27.0-3-S,2x 15 kVA Fronius International GmbH Symo 15.0-3-M,2x 12.5 kVA Fronius International GmbH Symo 12.5-3-M	N/A	N/A	11/0.433	1000 kVA	Type C		Type 4	Export
473	17/05/2022	Riverland	SSD491	BS0200	4.95	0.00	4.95	3.30	Solar PV	2x 2475 kVA SMA Solar Technology AG SC-2475-10	N/A	N/A	330		Type C		Type 1	Export
474	17/05/2022	Metro West	SSD344	AP344E	0.05	0.00	0.05	0.02	Solar PV	1x 50 kVA Sungrow Power Supply Co Ltd SG50CX (AS4777-2 2020)	N/A	N/A	11/0.433	200 kVA	Type A		Type 4	Export
475	11/05/2022	Mid North	SSD191	CL23	0.08	0.00	0.08	0.08	Solar PV	3x 27 kVA Fronius Australia ECO 27.0-3-S	N/A	N/A	11/0.433	200 kVA	Type A		Type 4	Export
476	11/05/2022	Metro South	SSD137	SM137A	0.13	0.00	0.13	0.05	Solar PV	5x 20 kVA Fronius Australia Pty Ltd Symo 20.0-3-M (AS4777-2 2020),1x 10 kVA SMA Australia Pty Ltd STP 10000TL-10,1x 15 kVA Fronius Australia Pty Ltd Symo 15.0-3-M (AS4777-2 2020)	N/A	N/A	11/0.433	1000 kVA	Type A		Type 4	Export
477	11/05/2022	Metro South	SSD137	SM137A	0.05	0.00	0.05	0.05	Solar PV	2x 15 kVA Fronius International GmbH Symo 15.0-3-M,2x 10 kVA Fronius International GmbH Symo 10.0-3-M	N/A	N/A	11/0.433	1000 kVA	Type A		Type 4	Export

No.	Connection Date	Region	Substation	Feeder ID	Inverter Installed Capacity (MVA)	Rotating Installed Capacity (MVA)	Total Installed Capacity (MVA)	Allowable Export (MW)	Generation Fuel	Generating Unit Make & Model	Fault Contributions		Transformer Info		Protection and communication systems	Power Factor Control and/or Reactive Power Capability	Single Line Diagram of the Connection Arrangement	Export Details
											At Connection Point	Ph-Ground	Voltage (kV)	Rating				
478	11/05/2022	Metro North	SSD407	SA19	0.20	0.00	0.20	0.00	Solar PV	2x 100 kVA Huawei Technologies Co Ltd SUN2000-100kTL-M1	N/A	N/A	11/0.433	300 kVA	Type B		Type 4	Non Export
479	11/05/2022	Metro South	SSD137	SM137A	0.09	0.00	0.09	0.01	Solar PV	1x 10 kVA SMA Australia Pty Ltd STP 10000TL-10, 1x 15 kVA Fronius Australia Pty Ltd Symo 15.0-3-M (AS4777-2 2020), 3x 20 kVA Fronius Australia Pty Ltd Symo 20.0-3-M (AS4777-2 2020)	N/A	N/A	11/0.433	1000 kVA	Type A		Type 4	Export
480	11/05/2022	Metro South	SSD350	SM350D	0.10	0.00	0.10	0.10	Solar PV	1x 20 kVA (ABB) Power-One Italy S.p.A TRIO-20.0-TL-OUTD-400, 3x 27.6 kVA (ABB) Power-One Italy S.p.A TRIO-27.6-TL-OUTD-400	N/A	N/A	11/0.433	1500 kVA	Type A		Type 4	Export
481	10/05/2022	Metro South	SSD216	SM216B	0.10	0.00	0.10	0.11	Solar PV	2x 50 kVA JIANGSU GOODWE POWER SUPPLY TECHNOLOGY CO LTD GW50KN-MT	N/A	N/A	11/0.433	300 kVA	Type A		Type 4	Export
482	10/05/2022	Metro South	SSD544	NL544B	0.10	0.00	0.10	0.10	Solar PV	5x 20 kVA Delta Energy Systems (Germany) GmbH SOLVIA20EUG4TL/EOE48010364	N/A	N/A	11/0.433	100 kVA	Type A		Type 4	Export
483	10/05/2022	Eastern Hills	SSD438	SD38200	0.09	0.00	0.09	0.04	Solar PV + Storage	3x 20 kVA Selectronic Australia SPLC1202-20.0, 2x 3.3 kVA Unknown Unknown, 7x 3.8 kVA SMA Solar Technology AG SB3800	N/A	N/A	33/0.433	100 kVA	Type A		Type 4	Export
484	10/05/2022	Barossa	SSD788	NU13	0.12	0.00	0.12	0.12	Solar PV	6x 20 kVA Delta Energy Systems (Germany) GmbH SOLVIA20EUG4TL/EOE48010364	N/A	N/A	11/0.433	500 kVA	Type A		Type 4	Export
485	10/05/2022	Metro East	SSD428	HH428C	0.07	0.00	0.07	0.04	Solar PV	1x 17 kVA Huawei Technologies Co Ltd SUN2000-17kTL-M0, 1x 55 kVA Huawei Technologies Co Ltd SUN2000-50kTL-M0	N/A	N/A	11/0.433	200 kVA	Type A		Type 4	Export
486	10/05/2022	Mid North	SSD745	GA745B	0.24	0.00	0.24	0.24	Device	9x 27 kVA Fronius Australia 27.0-3-S	N/A	N/A	11/0.433	2000 kVA	Type C		Type 4	Export
487	10/05/2022	Mid North	SSD745	GA745B	0.18	0.00	0.18	0.18	Solar PV	9x 20 kVA Schneider Electric (Australia) Pty Ltd Conext TL 20000E	N/A	N/A	11/0.433	500 kVA	Type A		Type 4	Export
488	10/05/2022	Metro South	SSD216	SM216A	0.10	0.00	0.10	0.10	Solar PV	1x 20 kVA Fronius International GmbH Symo 20.0-3-M	N/A	N/A	11/0.433	500 kVA	Type A		Type 4	Export
489	10/05/2022	Metro West	SSD829	AP829A	0.10	0.00	0.10	0.10	Solar PV	5x 20 kVA Schneider Electric (Australia) Pty Ltd Conext TL 20000E	N/A	N/A	11/0.433	750 kVA	Type A		Type 4	Export
490	10/05/2022	Murraylands	SSD389	MB28	0.20	0.64	0.84	0.20	Diesel Generator + Solar PV	2x 320 kVA CAT STANDBY 320 kW 400kVA, 1x 17.5 kVA Fronius International GmbH Symo 17.5-3-M, 9x 20 kVA Fronius International GmbH Symo 20.0-3-M	N/A	N/A	11/0.433	315 kVA	Type K		Type 3	Export
491	10/05/2022	Riverland	SSD399	BM44	1.10	0.00	1.10	1.00	Solar PV	20x 55 kVA Ginlong Technologies Co Ltd Solis-50K	N/A	N/A	11/0.433	2000 kVA	Type C		Type 4	Export
492	10/05/2022	Mid North	SSD745	GA745B	1.63	0.00	1.63	1.16	Solar PV + Storage	1x 60 kVA Unknown Unknown, 2x 15 kVA SMA Australia Pty Ltd STP 15000TL-10, 15x 75 kVA SMA Australia Pty Ltd SHP75-10, 1x 120 kVA Siemens Ltd 7TE31-2AA, 5x 58 kVA Tesla Motors Australia Pty Ltd Powerpack 58kVA	N/A	N/A	11		Type C		Type 2	Export
493	10/05/2022	Metro South	SSD349	SM349G	2.30	0.00	2.30	0.00	Non IES + Solar PV	10x 82.8 kVA SolarEdge Technologies Ltd SE82.8K, 1x 50 kVA SolarEdge Technologies Ltd SE50K, 1x 1425 kVA Unknown Unknown	N/A	N/A	11		Type B		Type 2	Non Export
494	10/05/2022	CBD	SSD412	CBD412B	0.05	0.00	0.05	0.00	Solar PV	6x 8 kVA SMA Solar Technology AG SMC8000TL	N/A	N/A	11/0.433	1000 kVA	Type A		Type 4	Non Export
495	10/05/2022	CBD	SSD366	CBD366M	0.08	0.00	0.08	0.10	Solar PV	2x 15 kVA SolarEdge Technologies Ltd SE15K, 2x 25 kVA SolarEdge Technologies Ltd SE25K	N/A	N/A	11/0.433	1000 kVA	Type A		Type 5	Export
496	10/05/2022	Metro North	SSD744	SA744C	0.11	0.00	0.11	0.11	Solar PV	4x 27 kVA Fronius Australia ECO 27.0-3-S	N/A	N/A	11/0.433	1000 kVA	Type A		Type 4	Export
497	10/05/2022	Metro South	SSD115	NL115D	0.10	0.00	0.10	0.10	Solar PV	4x 25 kVA Fronius Australia ECO 25.0-3-S	N/A	N/A	11/0.433	1000 kVA	Type A		Type 4	Export
498	10/05/2022	Metro North	SSD422	EL02	0.20	0.00	0.20	0.10	Solar PV	3x 33 kVA Shenzhen SOFARSOLAR Co Ltd SOFAR 33000TL-Sx, 2x 50 kVA JIANGSU GOODWE POWER SUPPLY TECHNOLOGY CO LTD GW50K-MT	N/A	N/A	11/0.433	500 kVA	Type A		Type 4	Export
499	10/05/2022	Metro South	SSD200	ME200D	0.67	0.00	0.67	0.67	Solar PV	58x 11 kVA SMA Solar Technology AG SMC11000TL-10, 6x 5 kVA SMA Solar Technology AG SB5000TL-20	N/A	N/A	11		Type C		Type 2	Export
500	10/05/2022	Metro West	SSD427	ME427A	0.10	0.00	0.10	0.03	Solar PV	363x 0.28 kVA Unknown Unknown	N/A	N/A	11		Type A		Type 2	Export
501	10/05/2022	CBD	SSD367	CBD367F	0.10	0.00	0.10	0.10	Solar PV	4x 25 kVA SMA Solar Technology AG STP 25000TL-30	N/A	N/A	11/0.433	1000 kVA	Type A		Type 4	Export
502	10/05/2022	Eyre Peninsula	SSD803	PL803C	0.19	0.00	0.19	0.19	Solar PV	2x 20 kVA Huawei Technologies Co Ltd SUN2000-20kTL-M0, 1x 55 kVA Huawei Technologies Co Ltd SUN2000-50kTL-M0, 3x 30 kVA Shenzhen SOFARSOLAR Co Ltd SOFAR 30000TL-Sx Series	N/A	N/A	11/0.433	500 kVA	Type A		Type 4	Export

No.	Connection Date	Region	Substation	Feeder ID	Inverter Installed Capacity (MVA)	Rotating Installed Capacity (MVA)	Total Installed Capacity (MVA)	Allowable Export (MW)	Generation Fuel	Generating Unit Make & Model	Fault Contributions		Transformer Info		Protection and communication systems	Power Factor Control and/or Reactive Power Capability	Single Line Diagram of the Connection Arrangement	Export Details
											At Connection Point	Ph-Ground	Voltage (kV)	Rating				
503	10/05/2022	Barossa	SSD788	NU13	0.10	0.00	0.10	0.10	Solar PV	5x 20 kVA Delta Energy Systems (Germany) GmbH SOLIVIA20EUG4TL/EOE48010364	N/A	N/A	11/0.433	1000 kVA	Type A		Type 4	Export
504	10/05/2022	Metro South	SSD216	SM216A	0.20	0.00	0.20	0.20	Solar PV	2x 25 kVA Fronius Australia ECO 25.0-3-S,2x 20 kVA Fronius International GmbH Symo 20.0-3-M,4x 27 kVA Fronius Australia ECO 27.0-3-S	N/A	N/A	11/0.433	1000 kVA	Type A		Type 4	Export
505	10/05/2022	Metro East	SSD432	HH432E	0.11	0.00	0.11	0.10	Solar PV + Storage	2x 5 kVA Tesla Motors Australia Pty Ltd AC Powerwall,4x 25 kVA SMA Australia Pty Ltd STP25000TL-30	N/A	N/A	11/0.433	750 kVA	Type A		Type 4	Export
506	10/05/2022	Metro East	SSD432	HH432E	0.20	0.00	0.20	0.20	Solar PV	4x 50 kVA SMA Solar Technology Ag SMA Sunny Tripower CORE1 STP 50-40	N/A	N/A	11/0.433	750 kVA	Type B		Type 4	Export
507	10/05/2022	Metro South	SSD350	SM350C	0.10	0.00	0.10	0.10	Solar PV	1x 20 kVA (ABB) Power-One Italy S.p.A TRIO-20.0-TL-OUTD-400,3x 27.6 kVA (ABB) Power-One Italy S.p.A TRIO-27.6-TL-OUTD-400	N/A	N/A	11/0.433	500 kVA	Type A		Type 4	Export
508	10/05/2022	Metro West	SSD227	AP227D	0.13	0.00	0.13	0.13	Solar PV	3x 27 kVA Fronius Australia 27.0-3-S,1x 25 kVA Fronius Australia 25.0-3-S,1x 20 kVA Fronius International GmbH Symo 20.0-3-M	N/A	N/A	11/0.433	500 kVA	Type A		Type 4	Export
509	10/05/2022	Metro West	SSD424	AP424A	0.10	0.00	0.10	0.10	Solar PV	5x 20 kVA Fronius International GmbH Symo 20.0-3-M	N/A	N/A	11/0.433	500 kVA	Type A		Type 4	Export
510	10/05/2022	Metro North	SSD407	SA14	0.09	0.00	0.09	0.03	Solar PV	377x 0.23 kVA Enphase Energy Australia Pty Ltd S230-60-LN-2-AU	N/A	N/A	11/0.433	2000 kVA	Type A		Type 4	Export
511	10/05/2022	Riverland	SSD420	BM54	0.10	0.00	0.10	0.10	Solar PV	4x 25 kVA Fronius Australia ECO 25.0-3-S	N/A	N/A	11/0.433	500 kVA	Type A		Type 4	Export
512	10/05/2022	Metro East	SSD130	HH130E	0.26	0.00	0.26	0.00	Non IES + Solar PV	1x 5 kVA Fronius International GmbH Symo 5.0-3-M,1x 250 kVA Unknown Unknown	N/A	N/A	11/0.433	2000 kVA	Type B		Type 4	Non Export
513	10/05/2022	Metro South	SSD475	MV11	0.10	0.00	0.10	0.10	Solar PV	5x 20 kVA Schneider Electric (Australia) Pty Ltd Conext TL 20000E	N/A	N/A	11/0.433	500 kVA	Type A		Type 4	Export
514	9/05/2022	Metro East	SSD102	HH102D	0.10	0.00	0.10	0.10	Solar PV + Storage	2x 5 kVA Tesla Motors Australia Pty Ltd AC Powerwall,303x 0.29 kVA Enphase Energy New Zealand Limited IQ7PLUS-72-2-INT	N/A	N/A	11/0.433	500 kVA	Type A		Type 4	Export
515	9/05/2022	Metro South	SSD511	NL511E	1.32	0.00	1.32	1.29	Solar PV	16x 82.8 kVA SolarEdge Technologies Ltd SE82.8K	N/A	N/A	11		Type C		Type 2	Export
516	9/05/2022	Riverland	SSD420	BM55	0.17	0.00	0.17	0.17	Solar PV	6x 27.6 kVA (ABB) Power-One Italy S.p.A TRIO-27.6-TL-OUTD-400	N/A	N/A	11/0.433	200 kVA	Type A		Type 4	Export
517	9/05/2022	Metro West	SSD427	ME427F	0.22	0.00	0.22	0.09	Solar PV	4x 55 kVA Huawei Technologies Co Ltd SUN2000-50KTL-M0	N/A	N/A	11/0.433	300 kVA	Type B		Type 4	Export
518	9/05/2022	Murraylands	SSD114	SD40200	0.10	0.00	0.10	0.10	Solar PV	1x 20 kVA Fronius Australia Pty Ltd Symo 20.0-3-M (AS4777-2 2020),2x 25 kVA Fronius Australia ECO 25.0-3-S,1x 27 kVA Fronius Australia Pty Ltd Eco 27.0-3-S (AS4777-2 2020)	N/A	N/A	33/0.433	1500 kVA	Type A		Type 4	Export
519	9/05/2022	Eastern Hills	SSD247	MTB63	0.16	0.00	0.16	0.16	Solar PV	6x 27 kVA Fronius Australia 27.0-3-S	N/A	N/A	11/0.433	315 kVA	Type A		Type 4	Export
520	9/05/2022	Upper North	SSD371	SD32200	2.20	0.00	2.20	1.98	Solar PV	1x 2200 kVA Unknown Unknown	N/A	N/A	33		Type C		Type 2	Export
521	9/05/2022	Metro South	SSD172	SM172B	2.12	0.00	2.12	0.70	Solar PV + Storage	1x 250 kVA SUNGROW POWER SUPPLY CO LTD SUNGROW ST500KWH-250,18x 100 kVA SolarEdge Technologies Ltd SE100K,1x 66.6 kVA SolarEdge Technologies Ltd SE66.6K	N/A	N/A	11		Type C		Type 2	Export
522	9/05/2022	CBD	SSD366	CBD366E	0.64	0.00	0.64	0.00	Natural Gas Cogenerator	1x 635 kVA GE Jenbacher JMC 312 GS N.L	N/A	N/A	11/0.433	2000 kVA	Type B		Type 4	Non Export
523	9/05/2022	Metro South	SSD115	NL115E	0.09	0.00	0.09	0.03	Solar PV	377x 0.23 kVA Enphase Energy Australia Pty Ltd S230-60-LN-2-AU	N/A	N/A	11/0.433	500 kVA	Type A		Type 4	Export
524	9/05/2022	Metro North	SSD422	EL04	0.20	0.00	0.20	0.10	Solar PV	2x 50 kVA Jianguo GoodWe Power Supply Technology Co Ltd GW50K-MT	N/A	N/A	11/0.433	1000 kVA	Type B		Type 4	Export
525	9/05/2022	Metro South	SSD234	MV12	0.19	0.00	0.19	0.20	Solar PV	6x 27.6 kVA (ABB) Power-One Italy S.p.A TRIO-27.6-TL-OUTD-400,1x 20 kVA (ABB) Power-One Italy S.p.A TRIO-20.0-TL-OUTD-400	N/A	N/A	11/0.433	750 kVA	Type A		Type 4	Export
526	6/05/2022	Fleurieu Peninsula	SSD340	VH45	0.10	0.00	0.10	0.10	Solar PV	5x 20 kVA Fronius International GmbH Symo 20.0-3-M	N/A	N/A	11/0.433	500 kVA	Type A		Type 4	Export
527	6/05/2022	Metro West	SSD829	AP829G	0.20	0.00	0.20	0.20	Solar PV	8x 25 kVA Fronius Australia 25.0-3-S	N/A	N/A	11/0.433	750 kVA	Type C		Type 4	Export
528	6/05/2022	Metro East	SSD428	HH428B	0.10	0.00	0.10	0.10	Solar PV	1x 6 kVA SMA Australia Pty Ltd SMC6000A,2x 20 kVA (ABB) Power-One Italy S.p.A TRIO-20.0-TL-OUTD-400,2x 27.6 kVA (ABB) Power-One Italy S.p.A TRIO-27.6-TL-OUTD-400	N/A	N/A	11/0.433	750 kVA	Type A	Unity	Type 4	Export

No.	Connection Date	Region	Substation	Feeder ID	Inverter Installed Capacity (MVA)	Rotating Installed Capacity (MVA)	Total Installed Capacity (MVA)	Allowable Export (MW)	Generation Fuel	Generating Unit Make & Model	Fault Contributions		Transformer Info		Protection and communication systems	Power Factor Control and/or Reactive Power Capability	Single Line Diagram of the Connection Arrangement	Export Details
											At Connection Point	Ph-Ground	Voltage (kV)	Rating				
529	6/05/2022	Metro West	SSD520	SA520F	0.40	0.00	0.40	0.19	Solar PV	8x 50 kVA SMA Australia Pty Ltd STP 50-40	N/A	N/A	11/0.433	1500 kVA	Type B		Type 4	Export
530	6/05/2022	Riverland	SSD167	LX21	0.50	0.00	0.50	0.50	Solar PV	10x 50 kVA (ABB) Power-One Italy S.p.A TRIO-50.0-TL-OUTD	N/A	N/A	33/0.433	1000 kVA	Type C		Type 4	Export
531	5/05/2022	Metro North	SSD129	SA34	0.08	0.00	0.08	0.02	Solar PV	3x 27 kVA Fronius Australia 27.0-3-S	N/A	N/A	11/0.433	30 kVA	Type A		Type 4	Export
532	5/05/2022	Eastern Hills	SSD218	MTB53	0.28	0.00	0.28	0.18	Solar PV	1x 29.9 kVA Huawei Technologies Co Ltd SUN2000-29.9KTL,3x 27.6 kVA (ABB) Power-One Italy S.p.A TRIO-27.6-TL-OUTD-400,3x 55 kVA Huawei Technologies Co Ltd SUN2000-50KTL-M0	N/A	N/A	11/0.433	315 kVA	Type B		Type 4	Export
533	4/05/2022	Metro West	SSD829	AP829D	0.10	0.00	0.10	0.02	Solar PV	4x 25 kVA Fronius Australia Pty Ltd Eco 25.0-3-S (AS4777-2 2020)	N/A	N/A	11/0.433	500 kVA	Type A		Type 4	Export
534	4/05/2022	Murraylands	SSD809	MB94	0.16	0.00	0.16	0.16	Solar PV	6x 27 kVA Fronius Australia 27.0-3-S	N/A	N/A	11/0.433	1500 kVA	Type A		Type 4	Export
535	4/05/2022	Metro West	SSD344	AP344F	0.10	0.00	0.10	0.10	Solar PV	5x 20 kVA Fronius International GmbH 20.0-3-M	N/A	N/A	11/0.433	1500 kVA	Type A		Type 4	Export
536	4/05/2022	Metro West	SSD355	AP355F	0.10	0.00	0.10	0.02	Solar PV	2x 50 kVA SMA Australia Pty Ltd STP 50-40	N/A	N/A	11/0.433	315 kVA	Type A		Type 4	Export
537	4/05/2022	Murraylands	SSD809	MB94	0.12	0.00	0.12	0.12	Solar PV	1x 17.5 kVA Fronius International GmbH Symo 17.5-3-M,1x 20 kVA Fronius International GmbH Symo 20.0-3-M	N/A	N/A	11/0.433	315 kVA	Type A		Type 4	Export
538	29/04/2022	Upper North	SSD333	PA07	0.10	0.00	0.10	0.02	Solar PV + Storage	3x 15 kVA Fronius International GmbH Symo 15.0-3-M,3x 7.5 kVA Selectronic Australia SPMC482-AU,1x 27.6 kVA (ABB) Power-One Italy S.p.A TRIO-27.6-TL-OUTD-S2F-400	N/A	N/A	11/0.433	315 kVA	Type A		Type 4	Export
539	28/04/2022	Mid North	SSD230	GA53	1.15	1.12	2.27	2.27	Solar PV + Waste Gas Generator	1x 1123 kVA CAT G3516LE,20x 25 kVA SMA Australia Pty Ltd STP25000TL-30,26x 25 kVA SMA Australia Pty Ltd STP25000TL-30	N/A	N/A	11		Type K		Type 2	Export
540	28/04/2022	Metro South	SSD544	NL544A	0.60	3.20	3.80	3.80	Solar PV + Waste Gas Generator	6x 100 kVA SMA AUSTRALIA PTY LTD 100-20,3x 1067 kVA GE Jenbacher JGC 320 GS-D121 w/ Stamford PE 734E alternator	N/A	N/A	11		Type K		Type 2	Export
541	28/04/2022	Metro South	SSD456	MV63	0.08	0.00	0.08	0.02	Solar PV	3x 25 kVA Ginlong Technologies Co Ltd Solis-25K-5G-AU (Declaration)	N/A	N/A	11/0.433	500 kVA	Type A		Type 4	Export
542	24/04/2022	Fleurieu Peninsula	SSD368	VH15	0.05	0.00	0.05	0.05	Solar PV	1x 20 kVA Fronius Australia Pty Ltd Symo 20.0-3-M (AS4777-2 2020),1x 25 kVA Fronius Australia Pty Ltd Eco 25.0-3-S (AS4777-2 2020)	N/A	N/A	11/0.433	200 kVA	Type A		Type 4	Export
543	13/04/2022	South East	SSD299	NA52	0.08	0.00	0.08	0.02	Solar PV	3x 27 kVA Fronius Australia Pty Ltd Eco 27.0-3-S (AS4777-2 2020)	N/A	N/A	11/0.433	500 kVA	Type A		Type 4	Export
544	10/04/2022	Riverland	SSD492	BS0201	2.50	0.00	2.50	1.80	Solar PV	1x 2500 kVA SMA Solar Technology AG SC-2500-EV-10	N/A	N/A	330		Type C		Type 1	Export
545	26/03/2022	Metro East	SSD341	HH341C	0.10	0.00	0.10	0.02	Solar PV	3x 33.3 kVA SolarEdge Technologies Ltd SE33.3K (AS4777-2 2020)	N/A	N/A	11/0.433	300 kVA	Type A		Type 4	Export
546	19/03/2022	Metro West	SSD427	ME427F	0.11	0.00	0.11	0.10	Solar PV	1x 110 kVA Sungrow Power Supply Co Ltd SG110CX	N/A	N/A	11		Type A		Type 2	Export
547	10/03/2022	Mid North	SSD191	CL23	0.11	0.00	0.11	0.02	Solar PV	1x 110 kVA Sungrow Power Supply Co Ltd SG110CX	N/A	N/A	11/0.433	1000 kVA	Type A		Type 4	Export
548	3/03/2022	Eastern Hills	SSD178	GU41	0.06	0.00	0.06	0.02	Solar PV	2x 30 kVA Ginlong Technologies Co Ltd Solis-30K-5G-AU	N/A	N/A	11/0.433	150 kVA	Type A		Type 4	Export
549	23/02/2022	Metro North	SSD260	EL260D	0.04	0.00	0.04	0.04	Solar PV	1x 5 kVA Beijing Kinglong New Energy Technology Co Sunteams 5000,2x 5 kVA Delta Electronics Inc H5A_221,1x 20 kVA Sungrow Power Supply Co Ltd SG20RT (AS4777-2 2020)	N/A	N/A	11/0.433	2000 kVA	Type A		Type 4	Export
550	15/02/2022	Barossa	SSD387	R21	0.09	0.00	0.09	0.10	Solar PV	3x 29.9 kVA Sungrow Power Supply Co Ltd SG30CX (AS4777-2 2020)	N/A	N/A	11/0.433	200 kVA	Type A	Unity	Type 4	Export
551	15/02/2022	Metro North	SSD273	EL15	0.17	0.00	0.17	0.20	Solar PV	2x 82.8 kVA SolarEdge Technologies Ltd SE82.8K (AS4777-2 2020)	N/A	N/A	11/0.433	500 kVA	Type A	Unity	Type 4	Export
552	7/02/2022	Metro East	SSD103	CBD103F	0.08	0.00	0.08	0.08	Solar PV	2x 29.9 kVA JIANGSU GOODWE POWER SUPPLY TECHNOLOGY CO LTD GW29.9K-MT,1x 20 kVA JIANGSU GOODWE POWER SUPPLY TECHNOLOGY CO LTD GW20KN-DT	N/A	N/A	11/0.433	500 kVA	Type A		Type 4	Export
553	3/02/2022	Metro East	SSD496	HH496C	0.04	0.00	0.04	0.02	Solar PV	1x 27.6 kVA SolarEdge Technologies Ltd SE27.6K,1x 12 kVA Sungrow Power Supply Co Ltd SG12RT	N/A	N/A	11/0.433	150 kVA	Type A		Type 4	Export

No.	Connection Date	Region	Substation	Feeder ID	Inverter Installed Capacity (MVA)	Rotating Installed Capacity (MVA)	Total Installed Capacity (MVA)	Allowable Export (MW)	Generation Fuel	Generating Unit Make & Model	Fault Contributions		Transformer Info		Protection and communication systems	Power Factor Control and/or Reactive Power Capability	Single Line Diagram of the Connection Arrangement	Export Details
											At Connection Point	Ph-Ground	Voltage (kV)	Rating				
554	2/02/2022	Metro South	SSD200	ME200C	0.10	0.00	0.10	0.09	Solar PV	1x 100 kVA Sungrow Power Supply Co Ltd SG110CX (AS4777-2 2020)	N/A	N/A	11/0.433	750 kVA	Type A		Type 4	Export
555	2/02/2022	CBD	SSD412	CBD412F	0.07	0.00	0.07	0.02	Solar PV	1x 20 kVA Jiangsu Zerversolar New Energy Co Ltd TLC20K,60x 0.5 kVA Altenergy Power System Inc YC500A,1x 20 kVA Fronius International GmbH Symo 20.0-3-M	N/A	N/A	11/0.433	1000 kVA	Type A		Type 4	Export
556	25/01/2022	Metro South	SSD234	MV12	0.08	0.00	0.08	0.02	Solar PV	1x 82.8 kVA SolarEdge Technologies Ltd SE82.8K (AS4777-2 2020)	N/A	N/A	11/0.433	150 kVA	Type A		Type 4	Export
557	20/01/2022	Metro North	SSD273	EL23	0.12	0.00	0.12	0.03	Solar PV	4x 29.9 kVA Sungrow Power Supply Co Ltd SG30CX	N/A	N/A	11/0.433	2000 kVA	Type A		Type 4	Export
558	19/01/2022	CBD	SSD412	CBD412S	0.08	0.00	0.08	0.02	Solar PV	1x 50 kVA Sungrow Power Supply Co Ltd SG50CX,1x 29.9 kVA Sungrow Power Supply Co Ltd SG30CX	N/A	N/A	11/0.433	300 kVA	Type A		Type 4	Export
559	11/01/2022	Metro South	SSD116	ME116D	0.04	0.00	0.04	0.02	Solar PV + Storage	9x 4.6 kVA Sonnen GmbH Hybrid 9.53/15	N/A	N/A	11/0.433	200 kVA	Type A		Type 4	Export
560	10/01/2022	South East	SSD195	MG45	0.05	0.00	0.05	0.02	Solar PV	1x 50 kVA SolarEdge Technologies Ltd SE50K	N/A	N/A	11/0.433	500 kVA	Type A		Type 4	Export
561	7/01/2022	Metro West	SSD829	AP829A	0.43	0.00	0.43	0.43	OTHER IES + Solar PV	1x 330 kVA Vacon NXA_0460 5 AOTO2SF,4x 25 kVA Fronius Australia 25.0-3-S	N/A	N/A	11/0.433	1500 kVA	Type C		Type 4	Export
562	7/01/2022	Metro West	SSD139	AP139C	0.09	0.00	0.09	0.09	Solar PV	4x 20 kVA Fronius International GmbH Symo 20.0-3-M,1x 8.2 kVA Fronius International GmbH Symo 8.2-3-M	N/A	N/A	11/0.433	750 kVA	Type A		Type 4	Export
563	7/01/2022	Metro South	SSD137	SM137E	1.70	0.00	1.70	1.70	Solar PV	34x 50 kVA SMA Australia Pty Ltd STP 50-40	N/A	N/A	11		Type C		Type 2	Export
564	1/01/2022	Metro West	SSD355	AP355E	0.09	0.00	0.09	0.02	Solar PV	1x 60 kVA JIANGSU GOODWE POWER SUPPLY TECHNOLOGY CO LTD GW60K-MT,1x 30 kVA Shenzhen SOFARSOLAR Co Ltd SOFAR 30000TL-Sx Series	N/A	N/A	11/0.433	200 kVA	Type A		Type 4	Export
565	23/12/2021	South East	SSD782	MG52	0.08	0.00	0.08	0.08	Solar PV	3x 27 kVA Fronius Australia ECO 27.0-3-S	N/A	N/A	11/0.433	500 kVA	Type A		Type 4	Export
566	20/12/2021	Metro North	SSD184	EL20	0.05	0.00	0.05	0.02	Solar PV	1x 50 kVA JIANGSU GOODWE POWER SUPPLY TECHNOLOGY CO LTD GW50K-MT	N/A	N/A	11/0.433	200 kVA	Type A		Type 4	Export
567	20/12/2021	Eastern Hills	SSD777	MTB12	0.11	0.00	0.11	0.11	Solar PV + Storage	6x 5 kVA Tesla Motors Australia Pty Ltd AC Powerwall,1x 27 kVA Fronius Australia ECO 27.0-3-S,3x 17.5 kVA Fronius International GmbH Symo 17.5-3-M	N/A	N/A	11/0.433	300 kVA	Type A		Type 4	Export
568	15/12/2021	Metro North	SSD273	EL17	0.07	0.00	0.07	0.02	Solar PV	2x 25 kVA Fronius Australia ECO 25.0-3-S,1x 20 kVA Fronius International GmbH Symo 20.0-3-M	N/A	N/A	11/0.433	500 kVA	Type A		Type 4	Export
569	12/12/2021	Metro West	SSD355	AP355E	0.12	0.00	0.12	0.11	Solar PV + Storage	3x 5 kVA Tesla Motors Australia Pty Ltd AC Powerwall,4x 27 kVA Fronius Australia ECO 27.0-3-S	N/A	N/A	11/0.433	200 kVA	Type A		Type 4	Export
570	12/12/2021	Metro North	SSD422	EL04	0.04	0.00	0.04	0.02	Solar PV	2x 20 kVA Fronius International GmbH Symo 20.0-3-M	N/A	N/A	11/0.433	300 kVA	Type A		Type 4	Export
571	12/12/2021	Metro South	SSD402	SM402C	0.06	0.00	0.06	0.06	Solar PV	2x 30 kVA SolarEdge Technologies Ltd SE30K	N/A	N/A	11/0.433	500 kVA	Type A		Type 4	Export
572	12/12/2021	Eastern Hills	SSD250	ST11	0.08	0.00	0.08	0.08	Solar PV	1x 50 kVA SolarEdge Technologies Ltd SE50K,1x 30 kVA SolarEdge Technologies Ltd SE30K	N/A	N/A	11/0.433	63 kVA	Type A		Type 4	Export
573	10/12/2021	Metro South	SSD210	NL210D	0.08	0.00	0.08	0.02	Solar PV + Storage	6x 5 kVA Tesla Motors Australia Pty Ltd AC Powerwall,1x 27 kVA Fronius Australia ECO 27.0-3-S,1x 20 kVA Fronius International GmbH Symo 20.0-3-M	N/A	N/A	11/0.433	1000 kVA	Type A		Type 4	Export
574	10/12/2021	Metro West	SSD520	SA520B	0.11	0.00	0.11	0.02	Solar PV	1x 110 kVA SMA Solar Technology AG STP 110-60	N/A	N/A	11/0.433	300 kVA	Type A		Type 4	Export
575	6/12/2021	Metro West	SSD355	AP355A	0.05	0.00	0.05	0.02	Solar PV	2x 27 kVA Fronius Australia ECO 27.0-3-S	N/A	N/A	11/0.433	315 kVA	Type A		Type 4	Export
576	3/12/2021	South East	SSD195	MG41	0.06	0.00	0.06	0.02	Solar PV	1x 30 kVA SolarEdge Technologies Ltd SE30K,2x 15 kVA SolarEdge Technologies Ltd SE15K	N/A	N/A	11/0.433	200 kVA	Type A		Type 4	Export
577	29/11/2021	Metro West	SSD427	ME427F	0.05	0.00	0.05	0.05	Solar PV	3x 15 kVA Fronius International GmbH Symo 15.0-3-M	N/A	N/A	11/0.433	300 kVA	Type A		Type 4	Export
578	23/11/2021	CBD	SSD353	CBD353R	0.08	0.00	0.08	0.02	Solar PV	3x 27 kVA Fronius Australia ECO 27.0-3-S	N/A	N/A	11/0.433	750 kVA	Type A		Type 4	Export
579	23/11/2021	Metro West	SSD365	AP365F	0.13	0.00	0.13	0.02	Solar PV	1x 82.8 kVA SolarEdge Technologies Ltd SE82.8K,1x 50 kVA SolarEdge Technologies Ltd SE50K	N/A	N/A	11/0.433	1500 kVA	Type A		Type 4	Export
580	19/11/2021	Barossa	SSD681	NU29	0.08	0.00	0.08	0.10	Solar PV	4x 20 kVA Fronius International GmbH Symo 20.0-3-M	N/A	N/A	11/0.433	500 kVA	Type A		Type 4	Export

No.	Connection Date	Region	Substation	Feeder ID	Inverter Installed Capacity (MVA)	Rotating Installed Capacity (MVA)	Total Installed Capacity (MVA)	Allowable Export (MW)	Generation Fuel	Generating Unit Make & Model	Fault Contributions		Transformer Info		Protection and communication systems	Power Factor Control and/or Reactive Power Capability	Single Line Diagram of the Connection Arrangement	Export Details
											At Connection Point	Ph-Ground	Voltage (kV)	Rating				
581	15/11/2021	Metro West	SSD132	AP132C	0.06	0.00	0.06	0.02	Solar PV	2x 20 kVA Fronius International GmbH Symo 20.0-3-M, 1x 15 kVA Fronius International GmbH Symo 15.0-3-M	N/A	N/A	11/0.433	200 kVA	Type A		Type 4	Export
582	15/11/2021	Metro West	SSD132	AP132C	0.08	0.00	0.08	0.02	Solar PV	3x 27 kVA Fronius Australia ECO 27.0-3-S	N/A	N/A	11/0.433	200 kVA	Type A		Type 4	Export
583	11/11/2021	Metro West	SSD510	AP510D	0.08	0.00	0.08	0.02	Solar PV	1x 50 kVA Sungrow Power Supply Co Ltd SG50CX, 1x 29.9 kVA Huawei Technologies Co Ltd SUN2000-29.9KTL	N/A	N/A	11/0.433	1500 kVA	Type A		Type 4	Export
584	11/11/2021	Metro East	SSD496	HH496C	0.09	0.00	0.09	0.02	Solar PV	1x 30 kVA SolarEdge Technologies Ltd SE30K, 1x 27.6 kVA SolarEdge Technologies Ltd SE27.6K	N/A	N/A	11/0.433	500 kVA	Type A		Type 4	Export
585	10/11/2021	Yorke Peninsula	SSD304	KA01	0.06	0.00	0.06	0.02	Solar PV	1x 20 kVA Fronius International GmbH Symo 20.0-3-M, 1x 15 kVA Fronius International GmbH Symo 15.0-3-M	N/A	N/A	11/0.433	200 kVA	Type A		Type 4	Export
586	9/11/2021	Metro West	SSD520	SA520H	0.10	0.00	0.10	0.10	Solar PV	4x 25 kVA Fronius Australia ECO 25.0-3-S	N/A	N/A	11/0.433	200 kVA	Type A		Type 4	Export
587	9/11/2021	Mid North	SSD191	CL23	0.06	0.00	0.06	0.02	Solar PV	4x 15 kVA Fronius International GmbH Symo 15.0-3-M	N/A	N/A	11/0.433	500 kVA	Type A		Type 4	Export
588	9/11/2021	Metro North	SSD407	SA19	0.07	0.00	0.07	0.02	Solar PV	1x 20 kVA Fronius International GmbH Symo 20.0-3-M, 1x 27 kVA Fronius Australia ECO 27.0-3-S, 1x 25 kVA Fronius Australia ECO 25.0-3-S	N/A	N/A	11/0.433	315 kVA	Type A		Type 4	Export
589	2/11/2021	Metro East	SSD522	HH522A	0.08	0.00	0.08	0.08	Solar PV	1x 82.8 kVA SolarEdge Technologies Ltd SE82.8K	N/A	N/A	11/0.433	500 kVA	Type A		Type 4	Export
590	29/10/2021	Metro East	SSD341	HH341G	0.08	0.00	0.08	0.08	Solar PV	1x 82.8 kVA SolarEdge Technologies Ltd SE82.8K	N/A	N/A	11/0.433	1000 kVA	Type A		Type 4	Export
591	28/10/2021	Metro West	SSD520	SA520F	0.13	0.00	0.13	0.13	Solar PV	1x 30 kVA Unknown Unknown, 2x 50 kVA Sungrow Power Supply Co Ltd SG50CX	N/A	N/A	11/0.433	500 kVA	Type A		Type 4	Export
592	28/10/2021	Metro South	SSD116	ME116A	0.07	0.00	0.07	0.02	Solar PV	1x 27 kVA Fronius Australia ECO 27.0-3-S, 1x 20 kVA Fronius International GmbH Symo 20.0-3-M, 1x 25 kVA Fronius Australia ECO 25.0-3-S	N/A	N/A	11/0.433	750 kVA	Type A		Type 4	Export
593	25/10/2021	Metro East	SSD121	HH121B	0.03	0.00	0.03	0.02	Solar PV + Storage	16x 0.24 kVA Enphase Energy New Zealand Limited IQ7-60-2-INT, 2x 5 kVA Sputnik Engineering AG 5000P, 1x 8.5 kVA JIANGSU GOODWE POWER SUPPLY TECHNOLOGY CO LTD GW8500-MS (AS4777-2 2020), 1x 5 kVA Tesla Motors Australia Pty Ltd AC Powerwall	N/A	N/A	11/0.433	150 kVA	Type A		Type 4	Export
594	22/10/2021	Yorke Peninsula	SSD354	YK17	0.03	0.00	0.03	0.02	Solar PV	1x 6 kVA (ABB) Power-One Italy S.p.A PVI-6000-OUTD-AU, 1x 16.5 kVA Ginlong Technologies Co Ltd Solis-3P15K-4G, 1x 4.6 kVA (ABB) Power-One Italy S.p.A PVI-5000-OUTD-AU	N/A	N/A	11/0.433	200 kVA	Type A		Type 4	Export
595	13/10/2021	South East	SSD195	MG05	0.09	0.00	0.09	0.02	Solar PV	3x 25 kVA SolarEdge Technologies Ltd SE25K, 1x 15 kVA SolarEdge Technologies Ltd SE15K	N/A	N/A	11/0.433	200 kVA	Type A		Type 4	Export
596	12/10/2021	CBD	SSD367	CBD367B	0.08	0.00	0.08	0.02	Solar PV	1x 82.8 kVA SolarEdge Technologies Ltd SE82.8K	N/A	N/A	11/0.433	1000 kVA	Type A		Type 4	Export
597	12/10/2021	Riverland	SSD420	BM56	4.44	0.00	4.44	4.40	Solar PV	24x 185 kVA (ABB) Power-One Italy S.P.A PVS-175-MVCS	N/A	N/A	11		Type C		Type 2	Export
598	11/10/2021	Metro East	SSD432	HH432A	0.11	0.00	0.11	0.02	Solar PV	1x 110 kVA Sungrow Power Supply Co Ltd SG110CX	N/A	N/A	11/0.433	500 kVA	Type A		Type 4	Export
599	8/10/2021	Metro South	SSD137	SM137B	0.05	0.00	0.05	0.00	Solar PV	2x 27 kVA Fronius Australia ECO 27.0-3-S	N/A	N/A	11/0.433	315 kVA	Type A		Type 4	Non Export
600	7/10/2021	Metro South	SSD111	NL111Q	0.05	0.00	0.05	0.02	Solar PV	2x 27 kVA Fronius Australia ECO 27.0-3-S	N/A	N/A	11/0.433	315 kVA	Type A		Type 4	Export
601	30/09/2021	Metro South	SSD111	NL111D	0.05	0.00	0.05	0.02	Solar PV	1x 30 kVA Shenzhen SOFARSOLAR Co Ltd SOFAR 30000TL-G2, 1x 20 kVA Shenzhen SOFAR SOLAR Co Ltd SOFAR 20000TL-G2	N/A	N/A	11/0.433	315 kVA	Type A		Type 4	Export
602	29/09/2021	Metro South	SSD115	NL115A	0.05	0.00	0.05	0.05	Solar PV	1x 50 kVA SMA SOLAR TECHNOLOGY AG SMA SUNNY TRIPOWER CORE1 STP 50-40	N/A	N/A	11/0.433	2000 kVA	Type A		Type 4	Export
603	15/09/2021	Metro South	SSD231	ME231D	0.08	0.00	0.08	0.02	Solar PV	1x 82.8 kVA SolarEdge Technologies Ltd SE82.8K	N/A	N/A	11/0.433	300 kVA	Type A		Type 4	Export
604	12/09/2021	Metro West	SSD829	AP829B	0.08	0.00	0.08	0.02	Solar PV	1x 82.8 kVA SolarEdge Technologies Ltd SE82.8K	N/A	N/A	11/0.433	200 kVA	Type A		Type 4	Export
605	10/09/2021	Metro South	SSD200	ME200E	0.04	0.00	0.04	0.02	Solar PV	2x 20 kVA Fronius International GmbH 20.0-3-M	N/A	N/A	11/0.433	315 kVA	Type A		Type 4	Export
606	3/09/2021	Metro North	SSD184	EL19	0.19	0.00	0.19	0.05	Solar PV	3x 29.9 kVA Huawei Technologies Co Ltd SUN2000-29.9KTL-M3, 1x 100 kVA Huawei Technologies Co Ltd SUN2000-100KTL-M1	N/A	N/A	11/0.433	315 kVA	Type A		Type 4	Export
607	3/09/2021	Eyre Peninsula	SSD217	WHY09	0.10	0.00	0.10	0.10	Solar PV	1x 100 kVA Huawei Technologies Co Ltd SUN2000-100KTL-M1	N/A	N/A	11/0.433	315 kVA	Type A		Type 4	Export

No.	Connection Date	Region	Substation	Feeder ID	Inverter Installed Capacity (MVA)	Rotating Installed Capacity (MVA)	Total Installed Capacity (MVA)	Allowable Export (MW)	Generation Fuel	Generating Unit Make & Model	Fault Contributions		Transformer Info		Protection and communication systems	Power Factor Control and/or Reactive Power Capability	Single Line Diagram of the Connection Arrangement	Export Details
											At Connection Point	Ph-Ground	Voltage (kV)	Rating				
608	2/09/2021	Riverland	SSD399	BM43	0.11	0.00	0.11	0.10	Solar PV	1x 110 kVA Sungrow Power Supply Co Ltd SG110CX	N/A	N/A	11/0.433	750 kVA	Type A		Type 4	Export
609	26/08/2021	Metro North	SSD744	SA36	0.06	0.00	0.06	0.02	Solar PV	1x 15 kVA SMA Australia Pty Ltd STP 15000TL-10,1x 30 kVA Delta Electronics Inc RPI M30A_xxx	N/A	N/A	11/0.433	50 kVA	Type A		Type 4	Export
610	26/08/2021	Eastern Hills	SSD777	MTB11	0.07	0.00	0.07	0.15	Solar PV	2x 27.6 kVA (ABB) Power-One Italy S.p.A TRIO-27.6-TL-OUTD-400,1x 17.5 kVA Fronius International GmbH Symo 17.5-3-M	N/A	N/A	11/0.433	200 kVA	Type A		Type 4	Export
611	25/08/2021	Metro South	SSD131	ME131C	0.05	0.00	0.05	0.05	Solar PV	1x 50 kVA Jiangsu GoodWe Power Supply Technology Co Ltd GW50KN-MT	N/A	N/A	11/0.433	315 kVA	Type A		Type 4	Export
612	24/08/2021	Metro East	SSD432	HH432A	0.11	0.00	0.11	0.11	Solar PV	1x 110 kVA Sungrow Power Supply Co Ltd SG110CX (AS4777-2 2020)	N/A	N/A	11/0.433	300 kVA	Type A		Type 4	Export
613	16/08/2021	Mid North	SSD191	CL04	0.33	0.00	0.33	0.08	Solar PV	2x 82.8 kVA SolarEdge Technologies Ltd SE82.8K	N/A	N/A	11/0.433	315 kVA	Type B		Type 4	Export
614	16/08/2021	Metro North	SSD183	EL01Q	0.03	0.00	0.03	0.02	Solar PV + Storage	1x 27 kVA Fronius Australia 27.0-3-S,1x 5 kVA Jiangsu GoodWe Power Supply Technology Co Ltd GW5000S-BP	N/A	N/A	11/0.433	200 kVA	Type A		Type 4	Export
615	11/08/2021	Metro South	SSD411	SM411A	0.08	0.00	0.08	0.08	Solar PV	1x 82.8 kVA SolarEdge Technologies Ltd SE82.8K	N/A	N/A	11		Type A		Type 2	Export
616	10/08/2021	Murraylands	SSD151	MB12	0.17	0.00	0.17	0.06	Solar PV	1x 17 kVA SolarEdge Technologies Ltd SE17K,3x 50 kVA SolarEdge Technologies Ltd SE50K	N/A	N/A	11/0.433	750 kVA	Type A		Type 4	Export
617	6/07/2021	Metro East	SSD177	HH177B	0.05	0.00	0.05	0.05	Solar PV	1x 50 kVA JIANGSU GOODWE POWER SUPPLY TECHNOLOGY CO LTD GW50K-MT	N/A	N/A	11/0.433	315 kVA	Type A		Type 4	Export
618	30/06/2021	Metro North	SSD273	EL28	0.08	0.00	0.08	0.08	Solar PV	1x 50 kVA Sungrow Power Supply Co Ltd SG50CX,3x 10 kVA (ABB) Power-One Italy S.p.A PVI-10.0-OUTD-AU	N/A	N/A	11/0.433	315 kVA	Type A		Type 4	Export
619	30/06/2021	Metro North	SSD744	SA744G	0.08	0.00	0.08	0.08	Solar PV	3x 27 kVA Fronius Australia ECO 27.0-3-S	N/A	N/A	11/0.433	750 kVA	Type A		Type 4	Export
620	29/06/2021	Metro West	SSD427	ME427A	0.07	0.00	0.07	0.02	Solar PV	1x 20 kVA SMA Australia Pty Ltd STP20000TL-30,1x 50 kVA SMA Australia Pty Ltd STP 50-40	N/A	N/A	11/0.433	1500 kVA	Type A		Type 4	Export
621	28/06/2021	Metro North	SSD104	EL13	0.08	0.00	0.08	0.08	Solar PV	2x 27.6 kVA SolarEdge Technologies Ltd SE27.6K,1x 27.6 kVA (ABB) Power-One Italy S.p.A TRIO-27.6-TL-OUTD-400	N/A	N/A	11/0.433	315 kVA	Type A		Type 4	Export
622	21/06/2021	Fleurieu Peninsula	SSD450	KI31	0.05	0.00	0.05	0.05	Solar PV	1x 30 kVA Ginlong Technologies Co Ltd Solis-30K,1x 20 kVA Ginlong Technologies Co Ltd Solis-20K	N/A	N/A	11/0.433	200 kVA	Type A		Type 4	Export
623	21/06/2021	Metro East	SSD107	HH107A	0.05	0.00	0.05	0.05	Solar PV	1x 50 kVA SolarEdge Technologies Ltd SE50K	N/A	N/A	11/0.433	150 kVA	Type A		Type 4	Export
624	15/06/2021	Fleurieu Peninsula	SSD368	VH15	0.05	0.00	0.05	0.05	Solar PV	2x 25 kVA Fronius Australia ECO 25.0-3-S	N/A	N/A	11/0.433	150 kVA	Type A		Type 4	Export
625	15/06/2021	Eastern Hills	SSD247	MTB62	0.08	0.00	0.08	0.08	Solar PV	1x 82.8 kVA SolarEdge Technologies Ltd SE82.8K	N/A	N/A	11/0.433	300 kVA	Type A		Type 4	Export
626	15/06/2021	Eastern Hills	SSD248	ST35	0.05	0.00	0.05	0.05	Solar PV	2x 25 kVA SolarEdge Technologies Ltd SE25K	N/A	N/A	11/0.433	300 kVA	Type A		Type 4	Export
627	8/06/2021	Metro North	SSD407	SA19	0.08	0.00	0.08	0.08	Solar PV	1x 25 kVA SMA Australia Pty Ltd STP25000TL-30,1x 50 kVA SMA Australia Pty Ltd STP 50-40	N/A	N/A	11/0.433	750 kVA	Type A		Type 4	Export
628	8/06/2021	Metro North	SSD407	SA19	0.08	0.00	0.08	0.08	Solar PV	1x 25 kVA SMA Australia Pty Ltd STP25000TL-30,1x 50 kVA SMA Australia Pty Ltd STP 50-40	N/A	N/A	11/0.433	750 kVA	Type A		Type 4	Export
629	7/06/2021	Metro North	SSD744	SA36	0.09	0.00	0.09	0.09	Solar PV	2x 30 kVA SolarEdge Technologies Ltd SE30K,1x 30 kVA SolarEdge Technologies Ltd SE30K	N/A	N/A	11/0.433	150 kVA	Type A		Type 4	Export
630	7/06/2021	Mid North	SSD745	GA745B	0.08	0.00	0.08	0.08	Solar PV	3x 27 kVA Fronius Australia ECO 27.0-3-S	N/A	N/A	11/0.433	500 kVA	Type A		Type 4	Export
631	31/05/2021	Metro East	SSD496	HH496E	0.05	0.00	0.05	0.05	Solar PV	1x 25 kVA Fronius Australia ECO 25.0-3-S,2x 12.5 kVA Fronius International GmbH Symo 12.5-3-M	N/A	N/A	11/0.433	500 kVA	Type A		Type 4	Export
632	31/05/2021	Fleurieu Peninsula	SSD340	VH22	0.08	0.00	0.08	0.08	Solar PV	4x 20 kVA SMA Australia Pty Ltd STP20000TL-30	N/A	N/A	11/0.433	500 kVA	Type A		Type 4	Export
633	28/05/2021	Murraylands	SSD301	MB92	0.19	0.00	0.19	0.19	Solar PV	4x 27 kVA Fronius Australia ECO 27.0-3-S,3x 27 kVA Fronius Australia ECO 27.0-3-S,1x 4.5 kVA Fronius International GmbH 4.5-3-M	N/A	N/A	11/0.433	315 kVA	Type A		Type 4	Export
634	24/05/2021	Metro East	SSD341	HH341D	0.10	0.00	0.10	0.10	Solar PV	4x 25 kVA SMA Australia Pty Ltd STP25000TL-30	N/A	N/A	11/0.433	300 kVA	Type A		Type 4	Export
635	24/05/2021	Eyre Peninsula	SSD336	SB01	3.00	0.00	3.00	2.40	Solar PV	1x 3000 kVA SMA Solar Technology AG SC-3000-EV-10	N/A	N/A	11		Type C		Type 2	Export
636	20/05/2021	South East	SSD195	MG41	0.08	0.00	0.08	0.08	Solar PV	4x 20 kVA Fronius International GmbH Symo 20.0-3-M	N/A	N/A	11/0.433	200 kVA	Type A		Type 4	Export
637	20/05/2021	Eastern Hills	SSD178	GU42	0.08	0.00	0.08	0.08	Solar PV	4x 20 kVA Fronius International GmbH Symo 20.0-3-M	N/A	N/A	11/0.433	300 kVA	Type A		Type 4	Export

No.	Connection Date	Region	Substation	Feeder ID	Inverter Installed Capacity (MVA)	Rotating Installed Capacity (MVA)	Total Installed Capacity (MVA)	Allowable Export (MW)	Generation Fuel	Generating Unit Make & Model	Fault Contributions		Transformer Info		Protection and communication systems	Power Factor Control and/or Reactive Power Capability	Single Line Diagram of the Connection Arrangement	Export Details
											At Connection Point	Ph-Ground	Voltage (kV)	Rating				
638	19/05/2021	Metro West	SSD139	AP139C	0.06	0.00	0.06	0.06	Solar PV	2x 15 kVA Fronius International GmbH Symo 15.0-3-M,1x 27 kVA Fronius Australia ECO 27.0-3-S	N/A	N/A	11/0.433	500 kVA	Type A		Type 4	Export
639	19/05/2021	Metro West	SSD139	AP139C	0.06	0.00	0.06	0.06	Solar PV	1x 10 kVA Fronius International GmbH Symo 10.0-3-M,2x 27 kVA Fronius Australia ECO 27.0-3-S	N/A	N/A	11/0.433	500 kVA	Type A		Type 4	Export
640	19/05/2021	Metro South	SSD115	NL115B	0.35	0.00	0.35	0.53	Solar PV	7x 50 kVA SMA Solar Technology Ag SMA Sunny Tripower CORE1 STP 50-40	N/A	N/A	11/0.433	1500 kVA	Type C		Type 4	Export
641	7/05/2021	Metro South	SSD131	ME131C	0.06	0.00	0.06	0.06	Solar PV	2x 27.6 kVA SolarEdge Technologies Ltd SE27.6K	N/A	N/A	11/0.433	500 kVA	Type A		Type 4	Export
642	1/05/2021	Riverland	SSD420	BM53	0.12	0.00	0.12	0.12	Solar PV + Storage	3x 5 kVA SolarEdge Technologies Ltd SE5000-AUS,2x 50 kVA (ABB) Power-One Italy S.p.A TRIO-50.0-TL-OUTD	N/A	N/A	11/0.433	500 kVA	Type A		Type 4	Export
643	27/04/2021	Metro West	SSD520	SA520H	0.08	0.00	0.08	0.08	Solar PV	3x 27 kVA Fronius Australia ECO 27.0-3-S	N/A	N/A	11/0.433	500 kVA	Type A		Type 4	Export
644	27/04/2021	Metro North	SSD273	EL28	0.11	0.00	0.11	0.11	Solar PV	3x 27 kVA Fronius Australia ECO 27.0-3-S,1x 30 kVA Ginlong Technologies Co Ltd Solis-30K	N/A	N/A	11/0.433	315 kVA	Type A		Type 4	Export
645	27/04/2021	Metro South	SSD410	SM410D	0.07	0.00	0.07	0.07	Solar PV	2x 12.5 kVA Fronius International GmbH Symo 12.5-3-M,1x 25 kVA Fronius Australia ECO 25.0-3-S,1x 15 kVA Fronius International GmbH Symo 15.0-3-M	N/A	N/A	11/0.433	750 kVA	Type A		Type 4	Export
646	27/04/2021	Metro South	SSD200	ME200D	0.11	0.00	0.11	0.11	Solar PV	2x 55 kVA Huawei Technologies Co Ltd SUN2000-50KTL-M0	N/A	N/A	11/0.433	750 kVA	Type A		Type 4	Export
647	27/04/2021	Eastern Hills	SSD473	SG14	0.10	0.00	0.10	0.00	Solar PV	1x 100 kVA Huawei Technologies Co Ltd SUN2000-100kTL-M1	N/A	N/A	11/0.433	315 kVA	Type A		Type 4	Non Export
648	19/04/2021	Eastern Hills	SSD237	MTB21	0.55	0.00	0.55	0.55	Solar PV + Storage	1x 250 kVA POWER TECHNOLOGY ENGINEERED SOLUTIONS PTY LTD NXA04605-G0T02SG-A1A2000000,3x 100 kVA (ABB) Power-One Italy S.p.A PVS-100-TL	N/A	N/A	11/0.433	1500 kVA	Type C		Type 4	Export
649	13/04/2021	Metro East	SSD341	HH341F	0.07	0.00	0.07	0.07	Solar PV	1x 17 kVA SolarEdge Technologies Ltd SE17K,2x 27.6 kVA SolarEdge Technologies Ltd SE27.6K	N/A	N/A	11/0.433	1000 kVA	Type A		Type 4	Export
650	9/04/2021	CBD	SSD412	CBD412G	0.06	0.00	0.06	0.06	Solar PV	3x 20 kVA Huawei Technologies Co Ltd SUN2000-20KTL-M2	N/A	N/A	11/0.433	1500 kVA	Type A		Type 4	Export
651	8/04/2021	Metro West	SSD344	AP344E	0.07	0.00	0.07	0.07	Solar PV	1x 15 kVA Fronius International GmbH Symo 15.0-3-M,2x 10 kVA Fronius International GmbH Symo 10.0-3-M,1x 20 kVA Fronius International GmbH Symo 20.0-3-M,1x 10 kVA Fronius International GmbH Symo 10.0-3-M	N/A	N/A	11/0.433	200 kVA	Type A		Type 4	Export
652	8/04/2021	Metro West	SSD829	AP829G	0.28	0.00	0.28	0.20	Solar PV	4x 50 kVA SolarEdge Technologies Ltd SE50K,1x 82.8 kVA SolarEdge Technologies Ltd SE82.8K	N/A	N/A	11/0.433	750 kVA	Type B		Type 4	Export
653	8/04/2021	Barossa	SSD150	NU14	0.19	0.00	0.19	0.05	Solar PV + Storage	1x 90 kVA ABB Australia PCS100+MGC600,1x 15 kVA Samil Power Co Ltd SolarLake 15000TL,1x 17 kVA Samil Power Co Ltd SolarLake 17000TL,1x 15 kVA Fronius International GmbH Symo 15.0-3-M,1x 50 kVA SMA SOLAR TECHNOLOGY AG SMA SUNNY TRIPOWER CORE1 STP 50-40	N/A	N/A	11/0.433	200 kVA	Type A		Type 4	Export
654	7/04/2021	Metro East	SSD522	HH522A	0.20	0.00	0.20	0.20	Solar PV	4x 50 kVA SolarEdge Technologies Ltd SE50K	N/A	N/A	11/0.433	500 kVA	Type C		Type 4	Export
655	30/03/2021	Metro South	SSD456	MV62	0.06	0.00	0.06	0.06	Solar PV	2x 20 kVA Fronius International GmbH Symo 20.0-3-M,1x 15 kVA Fronius International GmbH Symo 15.0-3-M	N/A	N/A	11/0.433	150 kVA	Type A		Type 4	Export
656	30/03/2021	Metro South	SSD456	MV63	0.10	0.00	0.10	0.10	Solar PV	1x 27 kVA Fronius Australia ECO 27.0-3-S,1x 20 kVA Fronius International GmbH Symo 20.0-3-M,2x 25 kVA Fronius Australia ECO 25.0-3-S	N/A	N/A	11/0.433	500 kVA	Type A		Type 4	Export
657	22/03/2021	Murraylands	SSD268	MB31	0.06	0.00	0.06	0.06	Solar PV	1x 27 kVA Fronius Australia ECO 27.0-3-S,1x 29.9 kVA Sungrow Power Supply Co Ltd SG30CX	N/A	N/A	11/0.433	150 kVA	Type A		Type 4	Export
658	22/03/2021	Mid North	SSD771	NU19	0.08	0.00	0.08	0.08	Solar PV	4x 20 kVA Fronius International GmbH Symo 20.0-3-M	N/A	N/A	11/0.433	500 kVA	Type A		Type 4	Export
659	17/03/2021	Metro West	SSD365	AP365A	0.08	0.00	0.08	0.08	Solar PV	1x 27 kVA Fronius Australia ECO 27.0-3-S	N/A	N/A	11/0.433	300 kVA	Type A		Type 4	Export
660	17/03/2021	Metro West	SSD139	AP139D	0.08	0.00	0.08	0.08	Solar PV	3x 27 kVA Fronius Australia ECO 27.0-3-S	N/A	N/A	11/0.433	750 kVA	Type A		Type 4	Export
661	2/03/2021	Eyre Peninsula	SSD325	PL03	0.10	0.00	0.10	0.10	Solar PV	1x 100 kVA Huawei Technologies Co Ltd SUN2000-100kTL-M1	N/A	N/A	11/0.433	315 kVA	Type A		Type 4	Export
662	2/03/2021	Metro West	SSD425	AP425B	0.10	0.00	0.10	0.08	Solar PV	1x 100 kVA Huawei Technologies Co Ltd SUN2000-100kTL-M1	N/A	N/A	11/0.433	315 kVA	Type A		Type 4	Export

No.	Connection Date	Region	Substation	Feeder ID	Inverter Installed Capacity (MVA)	Rotating Installed Capacity (MVA)	Total Installed Capacity (MVA)	Allowable Export (MW)	Generation Fuel	Generating Unit Make & Model	Fault Contributions		Transformer Info		Protection and communication systems	Power Factor Control and/or Reactive Power Capability	Single Line Diagram of the Connection Arrangement	Export Details
											At Connection Point	Ph-Ground	Voltage (kV)	Rating				
663	25/02/2021	Metro West	SSD520	SA520G	0.83	0.00	0.83	0.20	Solar PV	15x 55 kVA Huawei Technologies Co Ltd SUN2000-50KTL-M0	N/A	N/A	11/0.433	2000 kVA	Type B		Type 4	Export
664	23/02/2021	Metro West	SSD214	AP214C	0.18	0.00	0.18	0.18	Solar PV	4x 20 kVA Schneider Electric (Australia) Pty Ltd Conext TL 20000E,5x 20 kVA Fronius International GmbH Symo 20.0-3-M	N/A	N/A	11/0.433	1500 kVA	Type A		Type 4	Export
665	23/02/2021	Metro West	SSD424	AP424F	0.08	0.00	0.08	0.08	Solar PV	3x 25 kVA SMA Australia Pty Ltd STP25000TL-30	N/A	N/A	11/0.433	300 kVA	Type A		Type 4	Export
666	22/02/2021	Metro South	SSD402	SM402D	0.08	0.00	0.08	0.08	Solar PV	3x 27 kVA Fronius Australia ECO 27.0-3-S	N/A	N/A	11/0.433	300 kVA	Type A		Type 4	Export
667	22/02/2021	Metro North	SSD104	EL13	0.08	0.00	0.08	0.08	Solar PV	3x 27 kVA Fronius Australia ECO 27.0-3-S	N/A	N/A	11/0.433	315 kVA	Type A		Type 4	Export
668	15/02/2021	Metro West	SSD355	AP355E	0.06	0.00	0.06	0.06	Solar PV	2x 30 kVA Gintong Technologies Co Ltd Solis-30K	N/A	N/A	11/0.433	200 kVA	Type A		Type 4	Export
669	15/02/2021	Metro West	SSD125	AP125B	0.10	0.00	0.10	0.10	Solar PV	2x 50 kVA SMA Australia Pty Ltd STP 50-40	N/A	N/A	11/0.433	750 kVA	Type A		Type 4	Export
670	15/02/2021	Metro West	SSD829	AP829B	0.05	0.00	0.05	0.05	Solar PV	1x 27 kVA Fronius Australia ECO 27.0-3-S,1x 25 kVA Fronius Australia ECO 25.0-3-S	N/A	N/A	11/0.433	200 kVA	Type A		Type 4	Export
671	15/02/2021	Murraylands	SSD389	MB23	0.09	0.00	0.09	0.09	Solar PV	2x 25 kVA Fronius Australia ECO 25.0-3-S,1x 27 kVA Fronius Australia ECO 27.0-3-S,1x 15 kVA Fronius International GmbH Symo 15.0-3-M	N/A	N/A	11/0.433	1500 kVA	Type A		Type 4	Export
672	15/02/2021		SSD831	MG44	0.08	0.00	0.08	0.08	Solar PV	1x 82.8 kVA SolarEdge Technologies Ltd SE82.8K	N/A	N/A	11/0.433	1500 kVA	Type A		Type 4	Export
673	15/02/2021	Metro West	SSD829	AP829G	0.08	0.00	0.08	0.08	Solar PV	1x 82.8 kVA SolarEdge Technologies Ltd SE82.8K	N/A	N/A	11/0.433	500 kVA	Type A		Type 4	Export
674	15/02/2021	Metro East	SSD121	HH121B	0.10	0.00	0.10	0.10	Solar PV	2x 50 kVA SMA Solar Technology Ag SMA Sunny Tripower CORE1 STP 50-40	N/A	N/A	11/0.433	750 kVA	Type A		Type 4	Export
675	8/02/2021	Metro West	SSD132	AP132B	0.05	0.00	0.05	0.05	Solar PV	2x 27 kVA Fronius Australia ECO 27.0-3-S	N/A	N/A	11/0.433	300 kVA	Type A		Type 4	Export
676	8/02/2021	Southern Rural	SSD413	MV53	0.06	0.00	0.06	0.06	Solar PV	1x 55 kVA Huawei Technologies Co Ltd SUN2000-50KTL-M0	N/A	N/A	11/0.433	200 kVA	Type A		Type 4	Export
677	8/02/2021	CBD	SSD366	CBD366S	0.08	0.00	0.08	0.02	Solar PV	2x 15 kVA SMA Australia Pty Ltd STP 15000TL-10,2x 25 kVA SMA Australia Pty Ltd STP25000TL-30	N/A	N/A	11/0.433	500 kVA	Type A		Type 4	Export
678	8/02/2021	Metro North	SSD183	EL01P	0.06	0.00	0.06	0.06	Solar PV	1x 12.5 kVA Fronius International GmbH Symo 12.5-3-M,1x 17.5 kVA Fronius International GmbH Symo 17.5-3-M,1x 27 kVA Fronius Australia ECO 27.0-3-S	N/A	N/A	11/0.433	750 kVA	Type A		Type 4	Export
679	8/02/2021	Metro South	SSD131	ME131D	0.08	0.00	0.08	0.08	Solar PV	1x 50 kVA SMA Australia Pty Ltd STP 50-40,1x 25 kVA SMA Australia Pty Ltd STP25000TL-30	N/A	N/A	11/0.433	750 kVA	Type A		Type 4	Export
680	1/02/2021	Riverland	SSD715	WK61	0.06	0.00	0.06	0.06	Solar PV	1x 60 kVA Jiangsu GoodWe Power Supply Technology Co Ltd GW60KN-MT	N/A	N/A	11/0.433	200 kVA	Type A		Type 4	Export
681	1/02/2021	Metro East	SSD432	HH432D	0.08	0.00	0.08	0.08	Solar PV	3x 27 kVA Fronius Australia ECO 27.0-3-S	N/A	N/A	11/0.433	300 kVA	Type A		Type 4	Export
682	1/02/2021	Metro North	SSD129	SA34	0.08	0.00	0.08	0.08	Solar PV	1x 50 kVA SolarEdge Technologies Ltd SE50K,2x 15 kVA Schneider Electric (Australia) Pty Ltd Conext TL 15000E	N/A	N/A	11/0.433	500 kVA	Type A		Type 4	Export
683	1/02/2021	South East	SSD158	NA09	0.08	0.00	0.08	0.08	Solar PV	3x 27 kVA Fronius Australia ECO 27.0-3-S	N/A	N/A	11/0.433	315 kVA	Type A		Type 4	Export
684	1/02/2021	CBD	SSD366	CBD366M	0.10	0.00	0.10	0.10	Solar PV	2x 50 kVA SMA Solar Technology Ag SMA Sunny Tripower CORE1 STP 50-40	N/A	N/A	11/0.433	500 kVA	Type A		Type 4	Export
685	25/01/2021	Eastern Hills	SSD777	MTB11	0.20	0.00	0.20	0.18	Solar PV	4x 17 kVA SMA Australia Pty Ltd STP 17000TL-10,2x 50 kVA SolarEdge Technologies Ltd SE50K,1x 15 kVA SMA Australia Pty Ltd STP 15000TL-10,1x 12 kVA SMA Australia Pty Ltd STP 12000TL-10	N/A	N/A	11/0.433	750 kVA	Type A		Type 4	Export
686	19/01/2021	Metro West	SSD132	AP132E	0.08	0.00	0.08	0.08	Solar PV	3x 27 kVA Fronius Australia ECO 27.0-3-S	N/A	N/A	11/0.433	1500 kVA	Type A		Type 4	Export
687	18/01/2021	Upper North	SSD187	PA02	0.07	0.00	0.07	0.07	Solar PV	4x 6 kVA SolarEdge Technologies Ltd SE6000-AUS,1x 50 kVA SMA Australia Pty Ltd STP 50-40	N/A	N/A	11/0.433	150 kVA	Type A		Type 4	Export
688	18/01/2021	Metro West	SSD520	SA520B	0.08	0.00	0.08	0.08	Solar PV	1x 82.8 kVA SolarEdge Technologies Ltd SE82.8K	N/A	N/A	11/0.433	500 kVA	Type A		Type 4	Export
689	13/01/2021	Metro West	SSD355	AP355E	0.11	0.00	0.11	0.15	Solar PV	2x 55 kVA Huawei Technologies Co Ltd SUN2000-50KTL-M0	N/A	N/A	11/0.433	315 kVA	Type A	Unity	Type 4	Export
690	11/01/2021	Eastern Hills	SSD237	MTB22	0.05	0.00	0.05	0.05	Solar PV	2x 27 kVA Fronius Australia ECO 27.0-3-S	N/A	N/A	11/0.433	315 kVA	Type A		Type 4	Export
691	11/01/2021	South East	SSD198	MI01	0.05	0.00	0.05	0.05	Solar PV	2x 25 kVA Jiangsu GoodWe Power Supply Technology Co Ltd GW25K-MT	N/A	N/A	11/0.433	500 kVA	Type A		Type 4	Export
692	11/01/2021		SSD831	MG04	0.08	0.00	0.08	0.08	Solar PV	3x 27.6 kVA SolarEdge Technologies Ltd SE27.6K	N/A	N/A	11/0.433	1000 kVA	Type A		Type 4	Export

No.	Connection Date	Region	Substation	Feeder ID	Inverter Installed Capacity (MVA)	Rotating Installed Capacity (MVA)	Total Installed Capacity (MVA)	Allowable Export (MW)	Generation Fuel	Generating Unit Make & Model	Fault Contributions		Transformer Info		Protection and communication systems	Power Factor Control and/or Reactive Power Capability	Single Line Diagram of the Connection Arrangement	Export Details
											At Connection Point	Ph-Ground	Voltage (kV)	Rating				
693	5/01/2021	Eastern Hills	SSD237	MTB22	0.03	0.00	0.03	0.02	Solar PV + Storage	1x 5 kVA SolarEdge Technologies Ltd SE5000H,1x 0.01 kVA SolarEdge Technologies Ltd SESTI-S4,1x 20 kVA SMA Australia Pty Ltd STP20000TL-30,1x 5 kVA Fronius Australia Primo 5.0-1	N/A	N/A	11/0.24	20 kVA	Type A		Type 4	Export
694	22/12/2020	Metro West	SSD139	AP139B	0.10	0.00	0.10	0.10	Solar PV	1x 15 kVA Fronius International GmbH Symo 15.0-3-M,3x 27 kVA Fronius Australia ECO 27.0-3-S	N/A	N/A	11/0.433	315 kVA	Type A		Type 4	Export
695	22/12/2020	CBD	SSD366	CBD366B	0.10	0.00	0.10	0.10	Solar PV	4x 25 kVA SMA Australia Pty Ltd STP25000TL-30	N/A	N/A	11/0.433	750 kVA	Type A		Type 4	Export
696	21/12/2020	Metro North	SSD501	SA42	0.04	0.00	0.04	0.04	Solar PV + Storage	4x 10 kVA JIANGSU GOODWE POWER SUPPLY TECHNOLOGY CO LTD GW10KL-ET	N/A	N/A	11/0.433	315 kVA	Type A		Type 4	Export
697	21/12/2020	Metro West	SSD520	SA520G	0.10	0.00	0.10	0.10	Solar PV	1x 20 kVA Fronius International GmbH Symo 20.0-3-M	N/A	N/A	11/0.433	500 kVA	Type A		Type 4	Export
698	14/12/2020	Riverland	SSD245	WK53	0.06	0.00	0.06	0.06	Solar PV	4x 15 kVA SMA Australia Pty Ltd STP15000TL-30	N/A	N/A	11/0.433	100 kVA	Type A		Type 4	Export
699	14/12/2020	Metro West	SSD829	AP829B	0.07	0.00	0.07	0.07	Solar PV	1x 20 kVA SMA Australia Pty Ltd STP20000TL-30,2x 15 kVA SMA Australia Pty Ltd STP15000TL-30	N/A	N/A	11/0.433	300 kVA	Type A		Type 4	Export
700	8/12/2020	Metro West	SSD347	ME347E	0.08	0.00	0.08	0.08	Solar PV	1x 50 kVA Jiangsu GoodWe Power Supply Technology Co Ltd GW50K-MT,1x 25 kVA Jiangsu GoodWe Power Supply Technology Co Ltd GW25K-DT	N/A	N/A	11/0.433	500 kVA	Type A		Type 4	Export
701	8/12/2020	Metro West	SSD351	AP351E	0.09	0.00	0.09	0.09	Solar PV	3x 29.9 kVA Sungrow Power Supply Co Ltd SG30CX	N/A	N/A	11/0.433	200 kVA	Type A		Type 4	Export
702	8/12/2020	Murraylands	SSD268	MB32	0.06	0.00	0.06	0.06	Solar PV	1x 50 kVA SMA Australia Pty Ltd STP 50-40,1x 10 kVA SMA Australia Pty Ltd STP10.0-3AV-40	N/A	N/A	11/0.433	150 kVA	Type A		Type 4	Export
703	1/12/2020	South East	SSD195	MG41	0.10	0.00	0.10	0.30	Solar PV	340x 0.29 kVA Enphase Energy New Zealand Limited IQ7PLUS-72-2-INT	N/A	N/A	11/0.433	500 kVA	Type A		Type 4	Export
704	30/11/2020	Metro East	SSD341	HH341E	0.08	0.00	0.08	0.08	Solar PV	1x 27 kVA Fronius Australia ECO 27.0-3-S	N/A	N/A	11/0.433	315 kVA	Type A		Type 4	Export
705	30/11/2020	Murraylands	SSD468	M13	0.08	0.00	0.08	0.08	Solar PV	1x 82.8 kVA SolarEdge Technologies Ltd SE82.8K	N/A	N/A	7.6/0.433	315 kVA	Type A		Type 4	Export
706	30/11/2020	Metro West	SSD529	AP529D	0.08	0.00	0.08	0.08	Solar PV	1x 82.8 kVA SolarEdge Technologies Ltd SE82.8K	N/A	N/A	11/0.433	500 kVA	Type A		Type 4	Export
707	30/11/2020	Metro West	SSD351	AP351D	0.10	0.00	0.10	0.10	Solar PV	4x 25 kVA Fronius Australia ECO 25.0-3-S	N/A	N/A	11/0.433	500 kVA	Type A		Type 4	Export
708	30/11/2020	Metro West	SSD139	AP139D	0.10	0.00	0.10	0.30	Solar PV	1x 100 kVA (ABB) Power-One Italy S.p.A PVS-100-TL	N/A	N/A	11/0.433	1000 kVA	Type A	Unity	Type 4	Export
709	30/11/2020	Metro East	SSD341	HH341J	0.12	0.00	0.12	0.12	Solar PV	1x 15 kVA Fronius International GmbH Symo 15.0-3-M,1x 27 kVA Fronius Australia ECO 27.0-3-S,2x 25 kVA Fronius Australia ECO 25.0-3-S,1x 8.2 kVA Fronius International GmbH Symo 8.2-3-M,1x 17.5 kVA Fronius International GmbH Symo 17.5-3-M	N/A	N/A	11/0.433	1000 kVA	Type A		Type 4	Export
710	23/11/2020	Metro East	SSD177	HH177A	0.08	0.00	0.08	0.08	Solar PV	1x 27 kVA Fronius Australia ECO 27.0-3-S	N/A	N/A	11/0.433	1000 kVA	Type A		Type 4	Export
711	23/11/2020	Metro West	SSD227	AP227B	0.19	0.00	0.19	0.19	Solar PV	3x 27 kVA Fronius Australia ECO 27.0-3-S,1x 15 kVA Fronius International GmbH Symo 15.0-3-M	N/A	N/A	11/0.433	500 kVA	Type A		Type 4	Export
712	23/11/2020	Barossa	SSD788	NU33	0.08	0.00	0.08	0.08	Solar PV	1x 27 kVA Fronius Australia ECO 27.0-3-S	N/A	N/A	11/0.433	30 kVA	Type A		Type 4	Export
713	23/11/2020	Eastern Hills	SSD242	ST44	0.08	0.00	0.08	0.08	Solar PV	1x 27.6 kVA SolarEdge Technologies Ltd SE27.6K	N/A	N/A	11/0.433	750 kVA	Type A		Type 4	Export
714	17/11/2020	Barossa	SSD788	NU13	0.04	0.00	0.04	0.04	Solar PV	2x 20 kVA Fronius International GmbH Symo 20.0-3-M	N/A	N/A	11/0.433	150 kVA	Type A		Type 4	Export
715	17/11/2020	Metro South	SSD234	NL234A	0.20	0.00	0.20	0.20	Solar PV	1x 50 kVA SMA SOLAR TECHNOLOGY AG SMA SUNNY TRIPOWER CORE1 STP 50-40	N/A	N/A	11/0.433	1000 kVA	Type C		Type 4	Export
716	17/11/2020	Metro North	SSD407	SA14	0.08	0.00	0.08	0.08	Solar PV	3x 25 kVA SolarEdge Technologies Ltd SE25K	N/A	N/A	11/0.433	200 kVA	Type A		Type 4	Export
717	16/11/2020	Metro West	SSD425	AP425A	0.08	0.00	0.08	0.10	Solar PV	1x 25 kVA SMA Australia Pty Ltd STP25000TL-30	N/A	N/A	11/0.433	300 kVA	Type A	Unity	Type 4	Export
718	16/11/2020	Barossa	SSD788	NU33	0.20	0.00	0.20	0.07	Solar PV	9x 20 kVA Fronius International GmbH Symo 20.0-3-M,1x 17.5 kVA Fronius International GmbH Symo 17.5-3-M	N/A	N/A	11/0.433	1000 kVA	Type A		Type 4	Export
719	16/11/2020	Murraylands	SSD268	MB31	0.08	0.00	0.08	0.08	Solar PV	1x 27 kVA Fronius Australia ECO 27.0-3-S	N/A	N/A	11/0.433	315 kVA	Type A		Type 4	Export
720	16/11/2020	Eastern Hills	SSD237	MTB22	0.08	0.00	0.08	0.08	Solar PV	1x 82.8 kVA SolarEdge Technologies Ltd SE82.8K	N/A	N/A	11/0.433	500 kVA	Type A		Type 4	Export
721	10/11/2020	Barossa	SSD788	NU13	0.10	0.00	0.10	0.10	Solar PV	3x 27 kVA Fronius Australia ECO 27.0-3-S,1x 15 kVA Fronius International GmbH Symo 15.0-3-M	N/A	N/A	11/0.433	300 kVA	Type A		Type 4	Export
722	10/11/2020	Metro West	SSD139	AP139D	0.08	0.00	0.08	0.08	Solar PV	1x 27 kVA Fronius Australia ECO 27.0-3-S	N/A	N/A	11/0.433	315 kVA	Type A		Type 4	Export

No.	Connection Date	Region	Substation	Feeder ID	Inverter Installed Capacity (MVA)	Rotating Installed Capacity (MVA)	Total Installed Capacity (MVA)	Allowable Export (MW)	Generation Fuel	Generating Unit Make & Model	Fault Contributions		Transformer Info		Protection and communication systems	Power Factor Control and/or Reactive Power Capability	Single Line Diagram of the Connection Arrangement	Export Details
											At Connection Point	Ph-Ground	Voltage (kV)	Rating				
723	10/11/2020	Metro West	SSD351	AP351E	0.11	0.00	0.11	0.11	Solar PV	1x 110 kVA Sungrow Power Supply Co Ltd SG110CX	N/A	N/A	11/0.433	750 kVA	Type A		Type 4	Export
724	9/11/2020	CBD	SSD366	CBD366N	0.08	0.00	0.08	0.08	Solar PV	1x 27 kVA Fronius Australia ECO 27.0-3-S	N/A	N/A	11/0.433	500 kVA	Type A		Type 4	Export
725	9/11/2020	Riverland	SSD420	BM54	0.04	0.00	0.04	0.04	Solar PV	1x 20 kVA Fronius International GmbH Symo 20.0-3-M	N/A	N/A	11/0.433	300 kVA	Type A		Type 4	Export
726	9/11/2020	Eastern Hills	SSD250	ST11	0.18	0.00	0.18	0.18	Solar PV	3x 25 kVA Fronius Australia ECO 25.0-3-S,4x 25 kVA Fronius Australia ECO 25.0-3-S	N/A	N/A	11/0.433	150 kVA	Type A		Type 4	Export
727	2/11/2020	Metro North	SSD184	EL20	0.20	0.00	0.20	0.11	Solar PV	1x 50 kVA SMA SOLAR TECHNOLOGY AG SMA SUNNY TRIPOWER CORE1 STP 50-40	N/A	N/A	11/0.433	1000 kVA	Type B		Type 4	Export
728	2/11/2020	Eyre Peninsula	SSD803	PL803C	0.09	0.00	0.09	0.09	Solar PV	1x 15 kVA SMA Australia Pty Ltd STP15000TL-30,1x 25 kVA SMA Australia Pty Ltd STP25000TL-30	N/A	N/A	11/0.433	750 kVA	Type A		Type 4	Export
729	2/11/2020	Mid North	SSD784	R18	0.05	0.00	0.05	0.05	Solar PV	2x 15 kVA Fronius International GmbH Symo 15.0-3-M,2x 10 kVA (ABB) Power-One Italy S.p.A PVI-10.0-OUTD-AU	N/A	N/A	11/0.433	200 kVA	Type A		Type 4	Export
730	2/11/2020	Upper North	SSD459	G02	0.10	0.00	0.10	0.05	Solar PV	1x 50 kVA SMA Australia Pty Ltd STP 50-40	N/A	N/A	11/0.433	300 kVA	Type A		Type 4	Export
731	27/10/2020	Metro North	SSD407	SA11	0.05	0.00	0.05	0.05	Solar PV	1x 25 kVA Fronius Australia ECO 25.0-3-S	N/A	N/A	11/0.433	300 kVA	Type A		Type 4	Export
732	26/10/2020	Metro West	SSD344	AP344B	0.10	0.00	0.10	0.10	Solar PV	1x 25 kVA SMA Australia Pty Ltd STP25000TL-30	N/A	N/A	11/0.433	2000 kVA	Type A		Type 4	Export
733	20/10/2020	Metro East	SSD107	HH107A	0.08	0.00	0.08	0.08	Solar PV	2x 27 kVA Fronius Australia 27.0-3-S,1x 30 kVA Shenzhen Sinexcel Electric Co Ltd PWS2-30M-EX	N/A	N/A	11/0.433	200 kVA	Type A		Type 4	Export
734	20/10/2020	Metro West	SSD347	ME347F	0.05	0.00	0.05	0.05	Solar PV	1x 20 kVA Gintong Technologies Co Ltd Solis-20K,1x 30 kVA Gintong Technologies Co Ltd Solis-30K	N/A	N/A	11/0.433	200 kVA	Type A		Type 4	Export
735	20/10/2020	Metro East	SSD432	HH432E	0.08	0.00	0.08	0.08	Solar PV	1x 82.8 kVA SolarEdge Technologies Ltd SE82.8K	N/A	N/A	11/0.433	200 kVA	Type A		Type 4	Export
736	12/10/2020	Riverland	SSD152	WK33	0.08	0.00	0.08	0.08	Solar PV	1x 82.8 kVA SolarEdge Technologies Ltd SE82.8K	N/A	N/A	11/0.433	200 kVA	Type A		Type 4	Export
737	12/10/2020		SSD831	MG46	0.08	0.00	0.08	0.08	Solar PV	1x 27 kVA Fronius Australia ECO 27.0-3-S	N/A	N/A	11/0.433	750 kVA	Type A		Type 4	Export
738	28/09/2020	Riverland	SSD420	BM51	0.10	0.00	0.10	0.07	Solar PV	1x 50 kVA (ABB) Power-One Italy S.p.A PVS-50-TL	N/A	N/A	11/0.433	200 kVA	Type A		Type 4	Export
739	28/09/2020	Metro South	SSD200	ME200D	0.08	0.00	0.08	0.08	Solar PV	1x 27 kVA Fronius Australia 27.0-3-S	N/A	N/A	11/0.433	750 kVA	Type A		Type 4	Export
740	28/09/2020	Metro West	SSD125	AP125D	0.08	0.00	0.08	0.08	Solar PV	3x 27 kVA Fronius Australia ECO 27.0-3-S	N/A	N/A	11/0.433	500 kVA	Type A		Type 4	Export
741	24/09/2020	Metro South	SSD411	SM411F	0.03	0.00	0.03	0.03	Solar PV	1x 17 kVA SolarEdge Technologies Ltd SE17K	N/A	N/A	11/0.433	200 kVA	Type A		Type 4	Export
742	24/09/2020	Metro South	SSD210	NL210D	0.08	0.00	0.08	0.08	Solar PV	1x 82.8 kVA SolarEdge Technologies Ltd SE82.8K	N/A	N/A	11/0.433	300 kVA	Type A		Type 4	Export
743	21/09/2020	Metro North	SSD414	EL07	0.06	0.00	0.06	0.06	Solar PV	1x 30 kVA Gintong Technologies Co Ltd Solis-30K	N/A	N/A	11/0.433	500 kVA	Type A		Type 4	Export
744	21/09/2020	Metro West	SSD347	ME347A	0.05	0.00	0.05	0.05	Solar PV	1x 25 kVA Fronius Australia ECO 25.0-3-S	N/A	N/A	11/0.433	300 kVA	Type A		Type 4	Export
745	21/09/2020	Metro South	SSD411	SM411E	0.05	0.00	0.05	0.05	Solar PV	1x 25 kVA SMA Australia Pty Ltd STP25000TL-30	N/A	N/A	11/0.433	1500 kVA	Type A		Type 4	Export
746	21/09/2020	Riverland	SSD420	BM54	0.10	0.00	0.10	0.10	Solar PV	1x 50 kVA Shenzhen Sinexcel Electric Co Ltd PWG2-50K-EX	N/A	N/A	11/0.433	300 kVA	Type A		Type 4	Export
747	15/09/2020	Metro East	SSD403	HH403A	0.14	0.00	0.14	0.14	Solar PV	1x 15 kVA Fronius International GmbH Symo 15.0-3-M,1x 27 kVA Fronius Australia ECO 27.0-3-S	N/A	N/A	11		Type A		Type 2	Export
748	14/09/2020	Metro South	SSD511	NL511A	0.09	0.00	0.09	0.09	Solar PV + Storage	1x 82.8 kVA SolarEdge Technologies Ltd SE82.8K,1x 4.6 kVA Sonnen GmbH Hybrid 9.53/15	N/A	N/A	11/0.433	750 kVA	Type A		Type 4	Export
749	14/09/2020	Metro West	SSD520	SA520E	0.08	0.00	0.08	0.08	Solar PV	1x 20 kVA Fronius International GmbH Symo 20.0-3-M	N/A	N/A	11/0.433	500 kVA	Type A		Type 4	Export
750	14/09/2020	Metro East	SSD177	HH177F	0.08	0.00	0.08	0.08	Solar PV	1x 20 kVA Fronius International GmbH Symo 20.0-3-M	N/A	N/A	11/0.433	500 kVA	Type A		Type 4	Export
751	14/09/2020	Metro West	SSD132	AP132A	0.09	0.00	0.09	0.09	Solar PV	1x 6 kVA Huawei Technologies Co Ltd SUN2000-6KTL-M0,2x 15 kVA SMA Australia Pty Ltd STP 15000TL-10,2x 10 kVA Huawei Technologies Co Ltd SUN2000-10KTL-M0,1x 29.9 kVA Huawei Technologies Co Ltd SUN2000-29.9KTL	N/A	N/A	11/0.433	1000 kVA	Type A		Type 4	Export
752	14/09/2020	Metro East	SSD118	HH118B	0.10	0.00	0.10	0.10	Solar PV	1x 50 kVA JIANGSU GOODWE POWER SUPPLY TECHNOLOGY CO LTD GW50K-MT	N/A	N/A	11/0.433	200 kVA	Type A		Type 4	Export
753	8/09/2020	Barossa	SSD150	NU05	0.08	0.00	0.08	0.08	Solar PV	1x 27 kVA Fronius Australia 27.0-3-S	N/A	N/A	11/0.433	200 kVA	Type A		Type 4	Export
754	7/09/2020	Upper North	SSD333	PA26	0.10	0.00	0.10	0.10	Solar PV	1x 50 kVA SMA SOLAR TECHNOLOGY AG SMA SUNNY TRIPOWER CORE1 STP 50-40	N/A	N/A	11/0.433	200 kVA	Type A		Type 4	Export

No.	Connection Date	Region	Substation	Feeder ID	Inverter Installed Capacity (MVA)	Rotating Installed Capacity (MVA)	Total Installed Capacity (MVA)	Allowable Export (MW)	Generation Fuel	Generating Unit Make & Model	Fault Contributions		Transformer Info		Protection and communication systems	Power Factor Control and/or Reactive Power Capability	Single Line Diagram of the Connection Arrangement	Export Details
											At Connection Point	Ph-Ground	Voltage (kV)	Rating				
755	7/09/2020	Mid North	SSD185	GA13	0.10	0.00	0.10	0.10	Solar PV	1x 50 kVA SMA SOLAR TECHNOLOGY AG SMA SUNNY TRIPOWER CORE1 STP 50-40	N/A	N/A	11/0.433	150 kVA	Type A		Type 4	Export
756	7/09/2020	Metro East	SSD432	HH432A	0.08	0.00	0.08	0.08	Solar PV	3x 25 kVA Fronius Australia 25.0-3-S	N/A	N/A	11/0.433	300 kVA	Type A		Type 4	Export
757	7/09/2020	Barossa	SSD150	NU01	0.11	0.00	0.11	0.11	Solar PV	1x 15 kVA SMA Australia Pty Ltd STP 15000TL-10, 1x 10 kVA SMA Australia Pty Ltd STP10000TL, 1x 82.8 kVA SolarEdge Technologies Ltd SE82.8K	N/A	N/A	11/0.433	500 kVA	Type A		Type 4	Export
758	7/09/2020	Metro West	SSD226	AP226C	0.08	0.00	0.08	0.08	Solar PV	1x 20 kVA Fronius International GmbH Symo 20.0-3-M	N/A	N/A	11/0.433	750 kVA	Type A		Type 4	Export
759	7/09/2020	Metro East	SSD429	HH429C	0.05	0.00	0.05	0.05	Solar PV	1x 50 kVA SolarEdge Technologies Ltd SE50K	N/A	N/A	11/0.433	500 kVA	Type A		Type 4	Export
760	7/09/2020	Metro West	SSD139	AP139B	0.08	0.00	0.08	0.08	Solar PV	1x 20 kVA Jiangsu GoodWe Power Supply Technology Co Ltd GW20K-DT, 1x 60 kVA Jiangsu GoodWe Power Supply Technology Co Ltd GW60K-MT	N/A	N/A	11/0.433	315 kVA	Type A		Type 4	Export
761	7/09/2020	Murraylands	SSD809	MB94	0.08	0.00	0.08	0.08	Solar PV	1x 27 kVA Fronius Australia ECO 27.0-3-S	N/A	N/A	11/0.433	500 kVA	Type A		Type 4	Export
762	7/09/2020	Riverland	SSD420	BM53	0.17	0.00	0.17	0.17	Solar PV	6x 27.6 kVA (ABB) Power-One Italy S.p.A TRIO-27.6-TL-OUTD-400	N/A	N/A	11/0.433	200 kVA	Type A		Type 4	Export
763	7/09/2020	Metro West	SSD227	AP227D	0.15	0.00	0.15	0.11	Solar PV	1x 50 kVA SMA Australia Pty Ltd STP 50-40	N/A	N/A	11/0.433	315 kVA	Type A		Type 4	Export
764	7/09/2020	Metro East	SSD130	HH130C	0.08	0.00	0.08	0.08	Solar PV	1x 82.8 kVA SolarEdge Technologies Ltd SE82.8K	N/A	N/A	11/0.433	150 kVA	Type A		Type 4	Export
765	7/09/2020	Metro West	SSD351	AP351C	0.08	0.00	0.08	0.08	Solar PV	3x 8.2 kVA Fronius Australia Primo 8.2-1, 3x 20 kVA Fronius International GmbH Symo 20.0-3-M	N/A	N/A	11/0.433	1000 kVA	Type A		Type 4	Export
766	7/09/2020	Metro East	SSD341	HH341B	0.20	0.00	0.20	0.20	Solar PV	2x 25 kVA SolarEdge Technologies Ltd SE25K, 3x 50 kVA SolarEdge Technologies Ltd SE50K	N/A	N/A	11/0.433	750 kVA	Type C		Type 4	Export
767	7/09/2020	Barossa	SSD788	NU13	0.09	0.00	0.09	0.09	Solar PV	1x 29.9 kVA Huawei Technologies Co Ltd SUN2000-29.9KTL	N/A	N/A	11/0.433	500 kVA	Type A		Type 4	Export
768	7/09/2020	Metro West	SSD425	AP425B	0.06	0.00	0.06	0.06	Solar PV	1x 29.999 kVA Ningbo Ginlong Technologies Co Ltd Solis-30K-MX	N/A	N/A	11/0.433	315 kVA	Type A		Type 4	Export
769	7/09/2020	Metro South	SSD120	NL21	0.08	0.00	0.08	0.08	Solar PV	1x 20 kVA Fronius International GmbH Symo 20.0-3-M	N/A	N/A	11/0.433	300 kVA	Type A		Type 4	Export
770	1/09/2020	Metro West	SSD355	AP355F	0.08	0.00	0.08	0.08	Solar PV	1x 20 kVA Fronius International GmbH Symo 20.0-3-M	N/A	N/A	11/0.433	315 kVA	Type A		Type 4	Export
771	1/09/2020	Metro North	SSD183	EL09	0.08	0.00	0.08	0.08	Solar PV	4x 20 kVA Fronius International GmbH Symo 20.0-3-M	N/A	N/A	11/0.433	1000 kVA	Type A		Type 4	Export
772	1/09/2020	Metro North	SSD183	EL01P	0.08	0.00	0.08	0.08	Solar PV	4x 20 kVA Fronius International GmbH Symo 20.0-3-M	N/A	N/A	11/0.433	500 kVA	Type A		Type 4	Export
773	24/08/2020	South East	SSD135	SD49500	0.06	0.00	0.06	0.06	Solar PV	1x 20 kVA Fronius International GmbH Symo 20.0-3-M	N/A	N/A	33/0.433	30 kVA	Type A		Type 4	Export
774	24/08/2020	Metro West	SSD355	AP355B	0.08	0.00	0.08	0.08	Solar PV	1x 20 kVA Fronius International GmbH Symo 20.0-3-M	N/A	N/A	11/0.433	500 kVA	Type A		Type 4	Export
775	24/08/2020	Metro North	SSD273	GA15	0.05	0.00	0.05	0.05	Solar PV	1x 50 kVA SMA SOLAR TECHNOLOGY AG SMA SUNNY TRIPOWER CORE1 STP 50-40	N/A	N/A	11/0.433	315 kVA	Type A		Type 4	Export
776	18/08/2020	South East	SSD198	MI20	0.10	0.00	0.10	0.10	Solar PV	1x 100 kVA (ABB) Power-One Italy S.p.A PVS-100-TL	N/A	N/A	11/0.433	315 kVA	Type A		Type 4	Export
777	18/08/2020	Metro North	SSD104	EL21	0.08	0.00	0.08	0.08	Solar PV	1x 25 kVA SMA Australia Pty Ltd STP25000TL-30	N/A	N/A	11/0.433	1000 kVA	Type A		Type 4	Export
778	14/08/2020	Barossa	SSD150	NU02	0.75	0.00	0.75	0.00	Solar PV	5x 75 kVA SMA Australia Pty Ltd SHP75-10	N/A	N/A	11/0.433	2000 kVA	Type B		Type 4	Non Export
779	12/08/2020	Metro West	SSD146	AP146A	0.08	0.00	0.08	0.08	Solar PV	1x 82.8 kVA SolarEdge Technologies Ltd SE82.8K	N/A	N/A	11/0.433	1000 kVA	Type A		Type 4	Export
780	11/08/2020	Metro West	SSD355	AP355E	0.08	0.00	0.08	0.08	Solar PV	1x 20 kVA Fronius International GmbH Symo 20.0-3-M	N/A	N/A	11/0.433	315 kVA	Type A		Type 4	Export
781	10/08/2020	Metro South	SSD111	NL111A	0.06	0.00	0.06	0.06	Solar PV	1x 60 kVA Jiangsu GoodWe Power Supply Technology Co Ltd GW60K-MT	N/A	N/A	11/0.433	750 kVA	Type A		Type 4	Export
782	7/08/2020	Metro East	SSD432	HH432A	0.08	0.00	0.08	0.08	Solar PV	1x 15 kVA Fronius International GmbH Symo 15.0-3-M, 1x 25 kVA Fronius Australia 25.0-3-S	N/A	N/A	11/0.433	500 kVA	Type A		Type 4	Export
783	7/08/2020	Riverland	SSD430	M03	0.55	0.00	0.55	0.44	Solar PV + Storage	1x 550 kVA TESLA MOTORS AUSTRALIA PTY LTD POWERPACK 2.5	N/A	N/A	11/0.433	750 kVA	Type C		Type 4	Export
784	5/08/2020	South East	SSD205	NA32	0.08	0.00	0.08	0.08	Solar PV	1x 82.8 kVA SolarEdge Technologies Ltd SE82.8K	N/A	N/A	11/0.433	300 kVA	Type A		Type 4	Export
785	5/08/2020	Metro West	SSD344	AP344C	0.08	0.00	0.08	0.08	Solar PV + Storage	1x 82.8 kVA SolarEdge Technologies Ltd SE82.8K	N/A	N/A	11/0.433	750 kVA	Type A		Type 4	Export

No.	Connection Date	Region	Substation	Feeder ID	Inverter Installed Capacity (MVA)	Rotating Installed Capacity (MVA)	Total Installed Capacity (MVA)	Allowable Export (MW)	Generation Fuel	Generating Unit Make & Model	Fault Contributions		Transformer Info		Protection and communication systems	Power Factor Control and/or Reactive Power Capability	Single Line Diagram of the Connection Arrangement	Export Details
											At Connection Point	Ph-Ground	Voltage (kV)	Rating				
786	4/08/2020	Metro South	SSD216	SM216E	0.10	0.00	0.10	0.10	Solar PV	1x 25 kVA SMA Australia Pty Ltd STP25000TL-30, 1x 15 kVA SMA Australia Pty Ltd STP15000TL-30, 1x 10 kVA SMA Australia Pty Ltd STP10.0-3AV-40, 1x 50 kVA SMA Australia Pty Ltd STP 50-40	N/A	N/A	11/0.433	500 kVA	Type A		Type 4	Export
787	2/08/2020	Yorke Peninsula	SSD780	SD34201	0.08	0.00	0.08	0.08	Solar PV	1x 27 kVA Fronius Australia 27.0-3-S	N/A	N/A	33/0.433	200 kVA	Type A		Type 4	Export
788	2/08/2020	Yorke Peninsula	SSD780	SD34201	0.08	0.00	0.08	0.08	Solar PV	1x 27 kVA Fronius Australia 27.0-3-S	N/A	N/A	33/0.433	200 kVA	Type A		Type 4	Export
789	30/07/2020	Metro West	SSD829	AP829K	0.05	0.00	0.05	0.05	Solar PV	1x 50 kVA (ABB) Power-One Italy S.p.A PVS-50-TL-SX2	N/A	N/A	11/0.433	750 kVA	Type A		Type 4	Export
790	29/07/2020	Metro North	SSD422	EL03	0.10	0.00	0.10	0.10	Solar PV	2x 50 kVA SolarEdge Technologies Ltd SE50K	N/A	N/A	11/0.433	300 kVA	Type A		Type 4	Export
791	29/07/2020	Metro North	SSD422	EL03	0.10	0.00	0.10	0.10	Solar PV	2x 50 kVA SolarEdge Technologies Ltd SE50K	N/A	N/A	11		Type A		Type 2	Export
792	28/07/2020	Riverland	SSD167	LX21	0.10	0.00	0.10	0.10	Solar PV	1x 12 kVA SMA Australia Pty Ltd STP12000TL, 1x 7 kVA SMA Solar Technology AG STP 7000TL-20, 1x 50 kVA (ABB) Power-One Italy S.p.A PVS-50-TL-SX2, 1x 27.6 kVA (ABB) Power-One Italy S.p.A TRIO-27.6-TL-OUTD-400	N/A	N/A	33/0.433	150 kVA	Type A		Type 4	Export
793	27/07/2020	Metro West	SSD132	AP132B	0.10	0.00	0.10	0.10	Solar PV	1x 50 kVA JIANGSU GOODWE POWER SUPPLY TECHNOLOGY CO LTD GW50K-MT	N/A	N/A	11/0.433	1000 kVA	Type A		Type 4	Export
794	27/07/2020	Metro West	SSD132	AP132B	0.10	0.00	0.10	0.10	Solar PV	1x 50 kVA Jiangsu GoodWe Power Supply Technology Co Ltd GW50KN-MT	N/A	N/A	11/0.433	750 kVA	Type A		Type 4	Export
795	24/07/2020	Metro South	SSD216	SM216E	0.18	0.00	0.18	0.18	Solar PV	1x 25 kVA SMA Australia Pty Ltd STP25000TL-30, 3x 25 kVA SMA Australia Pty Ltd STP25000TL-30	N/A	N/A	11/0.433	750 kVA	Type A		Type 4	Export
796	24/07/2020	Metro North	SSD711	SA711C	0.05	0.00	0.05	0.05	Solar PV	1x 50 kVA JIANGSU GOODWE POWER SUPPLY TECHNOLOGY CO LTD GW50K-MT	N/A	N/A	11/0.433	750 kVA	Type A		Type 4	Export
797	23/07/2020	Metro West	SSD227	AP227A	0.04	0.00	0.04	0.04	Solar PV + Storage	1x 15 kVA Fronius International GmbH Symo 15.0-3-M, 1x 5 kVA Tesla Motors Australia Pty Ltd AC Powerwall	N/A	N/A	11/0.433	200 kVA	Type A		Type 4	Export
798	20/07/2020	Metro East	SSD341	HH341B	0.04	0.00	0.04	0.12	Solar PV	1x 6 kVA Fronius Australia Primo 6.0-1, 1x 7.5 kVA Selectronic Australia SPMC482-AU	N/A	N/A	11/0.433	200 kVA	Type A		Type 4	Export
799	20/07/2020		SSD831	MG44	0.08	0.00	0.08	0.08	Solar PV	1x 82.8 kVA SolarEdge Technologies Ltd SE82.8K	N/A	N/A	11/0.433	315 kVA	Type A		Type 4	Export
800	20/07/2020	Metro East	SSD107	HH107B	0.08	0.00	0.08	0.08	Solar PV	1x 82.8 kVA SolarEdge Technologies Ltd SE82.8K	N/A	N/A	11/0.433	315 kVA	Type A		Type 4	Export
801	20/07/2020	Metro West	SSD424	AP424B	0.08	0.00	0.08	0.08	Solar PV	1x 82.8 kVA SolarEdge Technologies Ltd SE82.8K	N/A	N/A	11/0.433	500 kVA	Type A		Type 4	Export
802	15/07/2020	Metro West	SSD146	AP146B	0.08	0.00	0.08	0.08	Solar PV	4x 20 kVA Fronius International GmbH Symo 20.0-3-M	N/A	N/A	11/0.433	750 kVA	Type A		Type 4	Export
803	11/07/2020	Metro East	SSD403	HH403A	0.15	0.00	0.15	0.15	Solar PV	1x 50 kVA (ABB) Power-One Italy S.p.A TRIO-TM-50.0-400, 1x 100 kVA (ABB) Power-One Italy S.p.A PVS-100-TL	N/A	N/A	11/0.433	1000 kVA	Type A		Type 4	Export
804	11/07/2020	Riverland	SSD300	WK72	1.98	0.00	1.98	1.26	Solar PV + Storage	14x 50 kVA SMA Australia Pty Ltd STP 50-40, 2x 116 kVA TESLA MOTORS AUSTRALIA PTY LTD 116KVA, 1x 116 kVA TESLA MOTORS AUSTRALIA PTY LTD 116KVA	N/A	N/A	11/0.433	315 kVA	Type C		Type 4	Export
805	9/07/2020	Barossa	SSD150	NU01	0.09	0.00	0.09	0.09	Solar PV	1x 25 kVA SMA Australia Pty Ltd STP25000TL-30, 1x 15 kVA SMA Australia Pty Ltd STP15000TL-30	N/A	N/A	11/0.433	750 kVA	Type A		Type 4	Export
806	9/07/2020	Barossa	SSD788	NU33	0.20	0.00	0.20	0.11	Solar PV	2x 25 kVA SMA Australia Pty Ltd STP25000TL-30	N/A	N/A	11/0.433	1500 kVA	Type B		Type 4	Export
807	8/07/2020	Metro West	SSD372	AP372B	0.08	0.00	0.08	0.08	Solar PV	1x 82.8 kVA SolarEdge Technologies Ltd SE82.8K	N/A	N/A	11/0.433	500 kVA	Type A		Type 4	Export
808	8/07/2020	Metro East	SSD121	HH121E	0.04	0.00	0.04	0.04	Solar PV	1x 25 kVA SMA Australia Pty Ltd STP25000TL-30, 1x 10 kVA Fronius International GmbH Symo 10.0-3-M	N/A	N/A	11/0.433	300 kVA	Type A		Type 4	Export
809	8/07/2020	Riverland	SSD420	BM54	0.09	0.00	0.09	0.09	Solar PV	3x 30 kVA RISEN SOLAR TECHNOLOGY RSM120-6-330M	N/A	N/A	11/0.433	500 kVA	Type A		Type 4	Export
810	8/07/2020	Metro West	SSD149	AP149F	0.05	0.00	0.05	0.05	Solar PV	1x 50 kVA SolarEdge Technologies Ltd SE50K	N/A	N/A	11/0.433	500 kVA	Type A		Type 4	Export
811	8/07/2020	Eastern Hills	SSD229	GU31	0.33	0.00	0.33	0.20	Solar PV	1x 82.8 kVA SolarEdge Technologies Ltd SE82.8K	N/A	N/A	11/0.433	750 kVA	Type B		Type 4	Export
812	1/07/2020	Metro South	SSD126	SM126A	0.08	0.00	0.08	0.08	Solar PV	1x 82.8 kVA SolarEdge Technologies Ltd SE82.8K	N/A	N/A	11/0.433	300 kVA	Type A		Type 4	Export
813	29/06/2020	Riverland	SSD259	LX53	0.20	0.00	0.20	0.20	Solar PV	4x 50 kVA (ABB) Power-One Italy S.p.A PVS-50-TL	N/A	N/A	11/0.433	200 kVA	Type C		Type 4	Export
814	28/06/2020	Murraylands	SSD470	MB81	0.13	0.00	0.13	0.13	Solar PV	5x 25 kVA SMA Australia Pty Ltd STP25000TL-30	N/A	N/A	11/0.433	1000 kVA	Type A		Type 4	Export

No.	Connection Date	Region	Substation	Feeder ID	Inverter Installed Capacity (MVA)	Rotating Installed Capacity (MVA)	Total Installed Capacity (MVA)	Allowable Export (MW)	Generation Fuel	Generating Unit Make & Model	Fault Contributions		Transformer Info		Protection and communication systems	Power Factor Control and/or Reactive Power Capability	Single Line Diagram of the Connection Arrangement	Export Details
											At Connection Point	Ph-Ground	Voltage (kV)	Rating				
815	25/06/2020	Riverland	SSD276	WK81	0.08	0.00	0.08	0.08	Solar PV	4x 20 kVA Fronius International GmbH Symo 20.0-3-M	N/A	N/A	11/0.433	315 kVA	Type A		Type 4	Export
816	25/06/2020	Riverland	SSD276	WK81	0.08	0.00	0.08	0.08	Solar PV	4x 20 kVA Fronius International GmbH Symo 20.0-3-M	N/A	N/A	11/0.433	315 kVA	Type A		Type 4	Export
817	24/06/2020	Metro North	SSD744	SA744C	0.08	0.00	0.08	0.08	Solar PV	3x 27 kVA Fronius Australia 27.0-3-S	N/A	N/A	11/0.433	750 kVA	Type A		Type 4	Export
818	24/06/2020	Metro West	SSD520	SA520J	0.08	0.00	0.08	0.08	Solar PV	1x 20 kVA Fronius International GmbH Symo 20.0-3-M	N/A	N/A	11/0.433	500 kVA	Type A		Type 4	Export
819	24/06/2020	Metro North	SSD414	EL07	0.06	0.00	0.06	0.06	Solar PV	1x 25 kVA Fronius Australia 25.0-3-S, 1x 20 kVA Fronius International GmbH Symo 20.0-3-M, 1x 15 kVA Fronius International GmbH Symo 15.0-3-M	N/A	N/A	11/0.433	300 kVA	Type A		Type 4	Export
820	23/06/2020	Riverland	SSD420	BM53	0.10	0.00	0.10	0.10	Solar PV	1x 100 kVA (ABB) Power-One Italy S.p.A PVS-100-TL	N/A	N/A	11/0.433	200 kVA	Type A		Type 4	Export
821	23/06/2020	Metro West	SSD425	AP425B	0.08	0.00	0.08	0.08	Solar PV	1x 82.8 kVA SolarEdge Technologies Ltd SE82.8K	N/A	N/A	11/0.433	500 kVA	Type A		Type 4	Export
822	23/06/2020	Metro South	SSD411	SM411E	0.10	0.00	0.10	0.10	Solar PV	1x 25 kVA Fronius Australia 25.0-3-S	N/A	N/A	11/0.433	1000 kVA	Type A		Type 4	Export
823	22/06/2020	Eyre Peninsula	SSD793	SD56301	0.08	0.00	0.08	0.08	Solar PV	1x 82.8 kVA SolarEdge Technologies Ltd SE82.8K	N/A	N/A	33/0.433	100 kVA	Type A		Type 4	Export
824	22/06/2020	Eyre Peninsula	SSD133	WHY05	0.08	0.00	0.08	0.08	Solar PV	1x 80 kVA JIANGSU GOODWE POWER SUPPLY TECHNOLOGY CO LTD GW80K-MT	N/A	N/A	11/0.433	200 kVA	Type A		Type 4	Export
825	19/06/2020	Metro West	SSD139	AP139D	0.10	0.00	0.10	0.10	Solar PV	1x 100 kVA (ABB) Power-One Italy S.p.A PVS-100-TL	N/A	N/A	11/0.433	1000 kVA	Type A		Type 4	Export
826	19/06/2020	Metro West	SSD139	AP139D	0.10	0.00	0.10	0.10	Solar PV	1x 100 kVA (ABB) Power-One Italy S.p.A PVS-100-TL	N/A	N/A	11/0.433	500 kVA	Type A		Type 4	Export
827	18/06/2020	Eastern Hills	SSD777	MTB12	0.07	0.00	0.07	0.07	Solar PV	2x 20 kVA Fronius International GmbH Symo 20.0-3-M, 1x 10 kVA Fronius International GmbH Symo 10.0-3-M, 1x 5 kVA SMA Australia Pty Ltd STP5000TL-20, 1x 5 kVA Fronius International GmbH Symo 5.0-3-M	N/A	N/A	11/0.433	150 kVA	Type A		Type 4	Export
828	18/06/2020	Riverland	SSD235	LX41	0.20	0.00	0.20	0.20	Solar PV	4x 50 kVA (ABB) Power-One Italy S.p.A PVS-50-TL	N/A	N/A	11/0.433	200 kVA	Type C		Type 4	Export
829	17/06/2020	Eastern Hills	SSD229	GU31	0.04	0.00	0.04	0.04	Solar PV	2x 17.5 kVA Fronius International GmbH Symo 17.5-3-M	N/A	N/A	11/0.433	100 kVA	Type A		Type 4	Export
830	17/06/2020	Mid North	SSD745	GA745B	0.20	0.00	0.20	0.20	Solar PV	3x 50 kVA SMA SOLAR TECHNOLOGY AG SMA SUNNY TRIPOWER CORE1 STP 50-40, 1x 25 kVA SMA Australia Pty Ltd STP25000TL-30	N/A	N/A	11/0.433	750 kVA	Type C		Type 4	Export
831	15/06/2020	Metro South	SSD200	ME200E	0.25	0.00	0.25	0.20	Solar PV	4x 20 kVA Fronius International GmbH Symo 20.0-3-M, 6x 27.6 kVA SolarEdge Technologies Ltd SE27.6K	N/A	N/A	11/0.433	1500 kVA	Type C		Type 4	Export
832	15/06/2020	Metro North	SSD407	SA16	0.10	0.00	0.10	0.10	Solar PV	1x 25 kVA SMA Australia Pty Ltd STP25000TL-30	N/A	N/A	11/0.433	300 kVA	Type A		Type 4	Export
833	12/06/2020	Metro West	SSD372	AP372B	0.04	0.00	0.04	0.04	Solar PV	2x 20 kVA Fronius International GmbH Symo 20.0-3-M	N/A	N/A	11/0.433	500 kVA	Type A		Type 4	Export
834	11/06/2020	Eastern Hills	SSD777	MTB15	0.15	0.00	0.15	0.15	Solar PV	1x 75 kVA SMA Australia Pty Ltd SHP75-10	N/A	N/A	11/0.433	1000 kVA	Type A		Type 4	Export
835	11/06/2020	Metro West	SSD146	AP146A	0.10	0.00	0.10	0.10	Solar PV + Storage	1x 100 kVA Shenzhen Sinexcel Electric Co Ltd PWG2-100K-EX	N/A	N/A	11/0.433	315 kVA	Type A		Type 4	Export
836	11/06/2020	Metro West	SSD424	AP424D	0.05	0.00	0.05	0.13	Solar PV	111x 0.23 kVA Enphase Energy Australia Pty Ltd S230-60-LN-2-AU	N/A	N/A	11/0.433	200 kVA	Type A		Type 4	Export
837	10/06/2020	Eyre Peninsula	SSD266	W03	0.10	0.00	0.10	0.10	Solar PV	2x 50 kVA SMA Solar Technology Ag SMA Sunny Tripower CORE1 STP 50-40	N/A	N/A	11/0.433	1000 kVA	Type A		Type 4	Export
838	8/06/2020	Metro East	SSD102	HH102C	0.05	0.00	0.05	0.05	Solar PV	1x 50 kVA SolarEdge Technologies Ltd SE50K	N/A	N/A	11/0.433	500 kVA	Type A		Type 4	Export
839	8/06/2020	Metro South	SSD111	NL111B	0.08	0.00	0.08	0.08	Solar PV	1x 27 kVA Fronius Australia 27.0-3-S	N/A	N/A	11/0.433	150 kVA	Type A		Type 4	Export
840	5/06/2020	Eyre Peninsula	SSD758	SD55100	0.08	0.00	0.08	0.08	Solar PV	1x 75 kVA SMA Australia Pty Ltd SHP75-10	N/A	N/A	33/0.433	200 kVA	Type A		Type 4	Export
841	4/06/2020	Eastern Hills	SSD178	GU42	0.10	0.00	0.10	0.10	Solar PV	2x 50 kVA SMA Solar Technology Ag SMA Sunny Tripower CORE1 STP 50-40	N/A	N/A	11/0.433	200 kVA	Type A		Type 4	Export
842	4/06/2020	Upper North	SSD333	PA05	0.08	0.00	0.08	0.08	Solar PV	2x 27.6 kVA SolarEdge Technologies Ltd SE27.6K, 1x 25 kVA SolarEdge Technologies Ltd SE25K	N/A	N/A	11/0.433	500 kVA	Type A		Type 4	Export
843	4/06/2020	Eyre Peninsula	SSD265	CV09	0.10	0.00	0.10	0.10	Solar PV	2x 50 kVA SMA Solar Technology Ag SMA Sunny Tripower CORE1 STP 50-40	N/A	N/A	11/0.433	200 kVA	Type A		Type 4	Export

No.	Connection Date	Region	Substation	Feeder ID	Inverter Installed Capacity (MVA)	Rotating Installed Capacity (MVA)	Total Installed Capacity (MVA)	Allowable Export (MW)	Generation Fuel	Generating Unit Make & Model	Fault Contributions		Transformer Info		Protection and communication systems	Power Factor Control and/or Reactive Power Capability	Single Line Diagram of the Connection Arrangement	Export Details
											At Connection Point	Ph-Ground	Voltage (kV)	Rating				
844	3/06/2020	Metro North	SSD744	SA36	0.08	0.00	0.08	0.08	Solar PV	1x 29.9 kVA Huawei Technologies Co Ltd SUN2000-29.9KTL, 1x 55 kVA Huawei Technologies Co Ltd SUN2000-50KTL-M0	N/A	N/A	11/0.433	200 kVA	Type A		Type 4	Export
845	3/06/2020	Metro South	SSD131	ME131C	0.08	0.00	0.08	0.08	Solar PV	1x 55 kVA Huawei Technologies Co Ltd SUN2000-50KTL-M0, 1x 29.9 kVA Huawei Technologies Co Ltd SUN2000-29.9KTL	N/A	N/A	11/0.433	750 kVA	Type A		Type 4	Export
846	28/05/2020	Riverland	SSD152	WK31	0.08	0.00	0.08	0.08	Solar PV	1x 82.8 kVA SolarEdge Technologies Ltd SE82.8K	N/A	N/A	11/0.433	500 kVA	Type A		Type 4	Export
847	27/05/2020	Metro North	SSD407	SA13	0.08	0.00	0.08	0.08	Solar PV	1x 55 kVA Huawei Technologies Co Ltd SUN2000-50KTL-M0, 1x 29.9 kVA Huawei Technologies Co Ltd SUN2000-29.9KTL	N/A	N/A	11/0.433	315 kVA	Type A		Type 4	Export
848	22/05/2020	Mid North	SSD784	R18	0.10	0.00	0.10	0.02	Solar PV	3x 27.6 kVA SolarEdge Technologies Ltd SE27.6K, 1x 17 kVA SolarEdge Technologies Ltd SE17K	N/A	N/A	11/0.433	500 kVA	Type A		Type 4	Export
849	22/05/2020	Mid North	SSD784	R18	0.10	0.00	0.10	0.09	Solar PV	1x 17 kVA SolarEdge Technologies Ltd SE17K, 3x 27.6 kVA SolarEdge Technologies Ltd SE27.6K	N/A	N/A	11/0.433	500 kVA	Type A		Type 4	Export
850	22/05/2020	Mid North	SSD275	R09	0.10	0.00	0.10	0.10	Solar PV	3x 27.6 kVA SolarEdge Technologies Ltd SE27.6K, 1x 17 kVA SolarEdge Technologies Ltd SE17K	N/A	N/A	11/0.433	500 kVA	Type A		Type 4	Export
851	22/05/2020	Metro North	SSD407	SA19	0.08	0.00	0.08	0.08	Solar PV	1x 82.8 kVA SolarEdge Technologies Ltd SE82.8K	N/A	N/A	11/0.433	200 kVA	Type A		Type 4	Export
852	21/05/2020	Metro East	SSD496	HH496H	0.08	0.00	0.08	0.08	Solar PV	1x 82.8 kVA SolarEdge Technologies Ltd SE82.8K	N/A	N/A	11/0.433	500 kVA	Type A		Type 4	Export
853	21/05/2020	Metro East	SSD496	HH496H	0.08	0.00	0.08	0.08	Solar PV	1x 82.8 kVA SolarEdge Technologies Ltd SE82.8K	N/A	N/A	11/0.433	500 kVA	Type A		Type 4	Export
854	21/05/2020	Metro West	SSD520	SA520H	0.08	0.00	0.08	0.08	Solar PV	1x 82.8 kVA SolarEdge Technologies Ltd SE82.8K	N/A	N/A	11/0.433	1000 kVA	Type A		Type 4	Export
855	19/05/2020	Metro North	SSD422	EL04	0.08	0.00	0.08	0.08	Solar PV	3x 27 kVA Fronius Australia 27.0-3-S	N/A	N/A	11/0.433	1500 kVA	Type A		Type 4	Export
856	18/05/2020	Metro West	SSD427	ME427A	0.06	0.00	0.06	0.06	Solar PV	3x 20 kVA Fronius International GmbH Symo 20.0-3-M	N/A	N/A	11/0.433	200 kVA	Type A		Type 4	Export
857	18/05/2020	Metro West	SSD520	SA520C	0.15	0.00	0.15	0.15	Solar PV	2x 75 kVA SMA SOLAR TECHNOLOGY AG SUNNY HIGHPOWER PEAK1	N/A	N/A	11/0.433	2000 kVA	Type A		Type 4	Export
858	18/05/2020	Eastern Hills	SSD242	ST41	0.08	0.00	0.08	0.08	Solar PV	1x 82.8 kVA SolarEdge Technologies Ltd SE82.8K	N/A	N/A	11/0.433	200 kVA	Type A		Type 4	Export
859	18/05/2020	Metro West	SSD520	SA520C	0.60	0.00	0.60	0.20	Solar PV	8x 75 kVA SMA SOLAR TECHNOLOGY AG SUNNY HIGHPOWER PEAK1	N/A	N/A	11/0.433	500 kVA	Type B		Type 4	Export
860	18/05/2020	Metro West	SSD520	SA520C	0.53	0.00	0.53	0.20	Solar PV	7x 75 kVA SMA SOLAR TECHNOLOGY AG SUNNY HIGHPOWER PEAK1	N/A	N/A	11/0.433	1500 kVA	Type B		Type 4	Export
861	15/05/2020	Metro West	SSD520	SA520J	0.08	0.00	0.08	0.08	Solar PV	1x 27.6 kVA SolarEdge Technologies Ltd SE27.6K	N/A	N/A	11/0.433	750 kVA	Type A		Type 4	Export
862	12/05/2020	Eyre Peninsula	SSD133	WHY04	0.07	0.00	0.07	0.07	Solar PV	1x 20 kVA Fronius International GmbH Symo 20.0-3-M, 1x 25 kVA Fronius Australia 25.0-3-S	N/A	N/A	11/0.433	300 kVA	Type A		Type 4	Export
863	8/05/2020	Metro East	SSD341	HH341C	0.06	0.00	0.06	0.06	Solar PV	3x 20 kVA Fronius International GmbH Symo 20.0-3-M	N/A	N/A	11/0.433	200 kVA	Type A		Type 4	Export
864	6/05/2020	Metro South	SSD231	ME231C	0.08	0.00	0.08	0.08	Solar PV	1x 82.8 kVA SolarEdge Technologies Ltd SE82.8K	N/A	N/A	11/0.433	750 kVA	Type A		Type 4	Export
865	6/05/2020	Riverland	SSD430	M03	0.75	0.00	0.75	0.60	Solar PV	5x 75 kVA SMA Australia Pty Ltd SHP75-10	N/A	N/A	11/0.433	1000 kVA	Type C		Type 4	Export
866	1/05/2020	Metro South	SSD411	SM411E	0.13	0.00	0.13	0.13	Solar PV	1x 50 kVA SMA Australia Pty Ltd STP 50-40, 1x 25 kVA SMA Australia Pty Ltd STP25000TL-30	N/A	N/A	11/0.433	1000 kVA	Type A		Type 4	Export
867	1/05/2020	Metro South	SSD411	SM411E	0.08	0.00	0.08	0.08	Solar PV	1x 50 kVA SMA Australia Pty Ltd STP 50-40, 1x 25 kVA SMA Australia Pty Ltd STP25000TL-30	N/A	N/A	11/0.433	500 kVA	Type A		Type 4	Export
868	1/05/2020	Metro North	SSD407	SA11	0.05	0.00	0.05	0.05	Solar PV	1x 50 kVA SolarEdge Technologies Ltd SE50K	N/A	N/A	11/0.433	150 kVA	Type A		Type 4	Export
869	1/05/2020	Metro North	SSD422	EL03	0.08	0.00	0.08	0.08	Solar PV	1x 82.8 kVA SolarEdge Technologies Ltd SE82.8K	N/A	N/A	11/0.433	300 kVA	Type A		Type 4	Export
870	1/05/2020	Metro North	SSD407	SA13	0.08	0.00	0.08	0.08	Solar PV	1x 82.8 kVA SolarEdge Technologies Ltd SE82.8K	N/A	N/A	11/0.433	750 kVA	Type A		Type 4	Export
871	1/05/2020	Metro South	SSD231	ME231C	0.05	0.00	0.05	0.05	Solar PV	1x 50 kVA SolarEdge Technologies Ltd SE50K	N/A	N/A	11/0.433	750 kVA	Type A		Type 4	Export
872	30/04/2020	Barossa	SSD387	R21	0.09	0.00	0.09	0.09	Solar PV	3x 25 kVA SMA Australia Pty Ltd STP25000TL-30, 1x 10 kVA SMA Australia Pty Ltd STP10000TL-20	N/A	N/A	11/0.433	500 kVA	Type A		Type 4	Export
873	24/04/2020	Murraylands	SSD151	MB11	0.10	0.00	0.10	0.10	Solar PV	1x 50 kVA Jiangsu GoodWe Power Supply Technology Co Ltd GW50KN-MT	N/A	N/A	11/0.433	315 kVA	Type A		Type 4	Export
874	23/04/2020	Eastern Hills	SSD250	ST13	0.08	0.00	0.08	0.08	Solar PV	1x 27 kVA Fronius Australia 27.0-3-S	N/A	N/A	11/0.433	1000 kVA	Type A		Type 4	Export
875	23/04/2020	Eyre Peninsula	SSD265	CV08	0.10	0.00	0.10	0.10	Solar PV	1x 50 kVA SMA SOLAR TECHNOLOGY AG SMA SUNNY TRIPOWER CORE1 STP 50-40	N/A	N/A	11/0.433	1000 kVA	Type A		Type 4	Export

No.	Connection Date	Region	Substation	Feeder ID	Inverter Installed Capacity (MVA)	Rotating Installed Capacity (MVA)	Total Installed Capacity (MVA)	Allowable Export (MW)	Generation Fuel	Generating Unit Make & Model	Fault Contributions		Transformer Info		Protection and communication systems	Power Factor Control and/or Reactive Power Capability	Single Line Diagram of the Connection Arrangement	Export Details
											At Connection Point	Ph-Ground	Voltage (kV)	Rating				
876	23/04/2020	Fleurieu Peninsula	SSD368	VH12	0.08	0.00	0.08	0.08	Solar PV	2x 27 kVA Fronius Australia 27.0-3-S, 1x 12.5 kVA Fronius International GmbH Symo 12.5-3-M, 1x 15 kVA Fronius International GmbH Symo 15.0-3-M	N/A	N/A	11/0.433	500 kVA	Type A		Type 4	Export
877	22/04/2020	Metro South	SSD234	NL234C	0.08	0.00	0.08	0.08	Solar PV	4x 20 kVA Ningbo Ginlong Technologies Co Ltd Solis-20K	N/A	N/A	11/0.433	300 kVA	Type A		Type 4	Export
878	21/04/2020	Metro South	SSD456	MV63	1.28	0.00	1.28	1.28	Solar PV	2x 75 kVA SMA SOLAR TECHNOLOGY AG SUNNY HIGHPOWER PEAK1, 5x 75 kVA SMA SOLAR TECHNOLOGY AG SUNNY HIGHPOWER PEAK1	N/A	N/A	11/0.433	1000 kVA	Type C		Type 4	Export
879	21/04/2020	Metro South	SSD456	MV63	1.28	0.00	1.28	1.28	Solar PV	2x 75 kVA SMA SOLAR TECHNOLOGY AG SUNNY HIGHPOWER PEAK1, 5x 75 kVA SMA SOLAR TECHNOLOGY AG SUNNY HIGHPOWER PEAK1	N/A	N/A	11/0.433	1000 kVA	Type C		Type 4	Export
880	21/04/2020	Metro West	SSD427	ME427F	0.32	0.00	0.32	0.20	Solar PV	12x 27 kVA Fronius Australia 27.0-3-S	N/A	N/A	11/0.433	750 kVA	Type B		Type 4	Export
881	20/04/2020	Metro West	SSD139	AP139B	0.08	0.00	0.08	0.08	Solar PV	1x 82.8 kVA SolarEdge Technologies Ltd SE82.8K	N/A	N/A	11/0.433	750 kVA	Type A		Type 4	Export
882	20/04/2020	Metro East	SSD428	HH428C	0.25	0.00	0.25	0.20	Solar PV	5x 25 kVA SMA Australia Pty Ltd STP25000TL-30	N/A	N/A	11/0.433	1500 kVA	Type B		Type 4	Export
883	20/04/2020	Metro West	SSD214	AP214C	0.08	0.00	0.08	0.08	Solar PV	1x 82.8 kVA SolarEdge Technologies Ltd SE82.8K	N/A	N/A	11/0.433	1000 kVA	Type A		Type 4	Export
884	20/04/2020	Eastern Hills	SSD237	MTB21	0.20	0.00	0.20	0.20	Solar PV	1x 50 kVA SMA Australia Pty Ltd STP 50-40	N/A	N/A	11/0.433	150 kVA	Type C		Type 4	Export
885	14/04/2020	Yorke Peninsula	SSD305	KA06	0.15	0.00	0.15	0.15	Solar PV	1x 75 kVA SMA Australia Pty Ltd SHP75-10	N/A	N/A	11/0.433	1000 kVA	Type A		Type 4	Export
886	13/04/2020	Metro East	SSD341	HH341B	0.08	0.00	0.08	0.08	Solar PV	1x 55 kVA Huawei Technologies Co Ltd SUN2000-50KTL-M0, 1x 29.9 kVA Huawei Technologies Co Ltd SUN2000-29.9KTL	N/A	N/A	11/0.433	1500 kVA	Type A		Type 4	Export
887	8/04/2020	Metro West	SSD344	AP344B	0.06	0.00	0.06	0.06	Solar PV	1x 25 kVA SolarEdge Technologies Ltd SE25K, 2x 15 kVA SMA Australia Pty Ltd STP15000TL-30	N/A	N/A	11/0.433	200 kVA	Type A		Type 4	Export
888	7/04/2020	Metro South	SSD200	ME200C	0.06	0.00	0.06	0.06	Solar PV	1x 60 kVA SMA Australia Pty Ltd STP60-10	N/A	N/A	11/0.433	315 kVA	Type A		Type 4	Export
889	6/04/2020	Metro West	SSD347	ME347D	0.25	0.00	0.25	0.30	Solar PV	2x 25 kVA SMA Australia Pty Ltd STP25000TL-30, 4x 25 kVA SMA Australia Pty Ltd STP25000TL-30	N/A	N/A	11/0.433	500 kVA	Type C		Type 4	Export
890	1/04/2020	Metro East	SSD130	HH130C	0.09	0.00	0.09	0.09	Solar PV	1x 12.5 kVA Fronius International GmbH Symo 12.5-3-M, 1x 17.5 kVA Fronius International GmbH Symo 17.5-3-M, 3x 10 kVA Fronius International GmbH Symo 10.0-3-M, 1x 25 kVA Fronius Australia 25.0-3-S	N/A	N/A	11/0.433	500 kVA	Type A		Type 4	Export
891	30/03/2020	Fleurieu Peninsula	SSD368	VH12	0.08	0.00	0.08	0.08	Solar PV	1x 82.8 kVA SolarEdge Technologies Ltd SE82.8K	N/A	N/A	11/0.433	1500 kVA	Type A		Type 4	Export
892	23/03/2020	Metro North	SSD183	EL01Q	0.25	0.00	0.25	0.20	Solar PV	1x 82.8 kVA SolarEdge Technologies Ltd SE82.8K	N/A	N/A	11/0.433	500 kVA	Type B		Type 4	Export
893	23/03/2020	Mid North	SSD230	GA01	0.10	0.00	0.10	0.10	Solar PV	2x 15 kVA Fronius International GmbH Symo 15.0-3-M, 33x 2 kVA Sunny Roo Products SR2000TL	N/A	N/A	11/0.433	2000 kVA	Type A		Type 4	Export
894	23/03/2020	Metro West	SSD829	AP829B	0.08	0.00	0.08	0.08	Solar PV	3x 27 kVA Fronius Australia 27.0-3-S	N/A	N/A	11/0.433	300 kVA	Type A		Type 4	Export
895	16/03/2020	Eyre Peninsula	SSD133	WHY02	0.06	0.00	0.06	0.06	Solar PV	1x 15 kVA Shenzhen SOFARSOLAR Co Ltd Sofar 15000TL-Sx Series, 1x 33 kVA Shenzhen SOFARSOLAR Co Ltd SOFAR 33000TL-Sx Series	N/A	N/A	11/0.433	300 kVA	Type A		Type 4	Export
896	16/03/2020	Southern Rural	SSD171	VH31	0.09	0.00	0.09	0.09	Solar PV	2x 15 kVA Fronius International GmbH Symo 15.0-3-M, 1x 20 kVA SMA Solar Technology AG STP 20000TL-30	N/A	N/A	11/0.433	300 kVA	Type A		Type 4	Export
897	16/03/2020	Metro South	SSD179	SM179B	0.07	0.00	0.07	0.07	Solar PV	2x 25 kVA Fronius Australia 25.0-3-S, 1x 15 kVA Fronius International GmbH Symo 15.0-3-M	N/A	N/A	11/0.433	1000 kVA	Type A		Type 4	Export
898	16/03/2020	Metro West	SSD355	AP355B	0.08	0.00	0.08	0.08	Solar PV	1x 82.8 kVA SolarEdge Technologies Ltd SE82.8K	N/A	N/A	11/0.433	750 kVA	Type A		Type 4	Export
899	16/03/2020	Metro East	SSD341	HH341C	0.06	0.00	0.06	0.06	Solar PV	1x 20 kVA Fronius International GmbH Symo 20.0-3-M	N/A	N/A	11/0.433	200 kVA	Type A		Type 4	Export
900	10/03/2020	Metro East	SSD496	HH496A	0.20	0.00	0.20	0.20	Solar PV	4x 50 kVA SMA Australia Pty Ltd STP 50-40	N/A	N/A	11/0.433	2000 kVA	Type C		Type 4	Export
901	10/03/2020	Eastern Hills	SSD777	MTB12	0.08	0.00	0.08	0.08	Solar PV	1x 82.8 kVA SolarEdge Technologies Ltd SE82.8K	N/A	N/A	11/0.433	315 kVA	Type A		Type 4	Export
902	10/03/2020	Upper North	SSD219	PP10	0.25	0.00	0.25	0.20	Solar PV	5x 50 kVA SMA Australia Pty Ltd STP 50-40	N/A	N/A	11/0.433	1500 kVA	Type C		Type 4	Export
903	3/03/2020	Metro South	SSD137	SM137A	0.08	0.00	0.08	0.06	Solar PV	4x 20 kVA Fronius International GmbH Symo 20.0-3-M	N/A	N/A	11/0.433	1000 kVA	Type A		Type 4	Export
904	2/03/2020	Metro South	SSD200	ME200A	0.05	0.00	0.05	0.05	Solar PV	1x 10 kVA Fronius International GmbH Symo 10.0-3-M, 2x 20 kVA Fronius International GmbH Symo 20.0-3-M	N/A	N/A	11/0.433	300 kVA	Type A		Type 4	Export

No.	Connection Date	Region	Substation	Feeder ID	Inverter Installed Capacity (MVA)	Rotating Installed Capacity (MVA)	Total Installed Capacity (MVA)	Allowable Export (MW)	Generation Fuel	Generating Unit Make & Model	Fault Contributions		Transformer Info		Protection and communication systems	Power Factor Control and/or Reactive Power Capability	Single Line Diagram of the Connection Arrangement	Export Details
											At Connection Point	Ph-Ground	Voltage (kV)	Rating				
905	2/03/2020		SSD831	MG42	0.07	0.00	0.07	0.07	Solar PV	2x 27 kVA Fronius Australia 27.0-3-S, 1x 20 kVA Fronius International GmbH Symo 20.0-3-M	N/A	N/A	11/0.433	50 kVA	Type A		Type 4	Export
906	2/03/2020	Metro West	SSD510	AP510L	0.10	0.00	0.10	0.10	Solar PV	4x 25 kVA Schneider Electric Solar Inverters USA Inc Conext CL 25000 E	N/A	N/A	11/0.433	2000 kVA	Type A		Type 4	Export
907	24/02/2020	CBD	SSD366	CBD366P	0.10	0.00	0.10	0.10	Solar PV	3x 25 kVA Fronius Australia 25.0-3-S, 1x 20 kVA Fronius International GmbH Symo 20.0-3-M	N/A	N/A	11/0.433	2000 kVA	Type A		Type 4	Export
908	18/02/2020	South East	SSD332	MG19	0.08	0.00	0.08	0.08	Solar PV	1x 82.8 kVA SolarEdge Technologies Ltd SE82.8K	N/A	N/A	11/0.433	200 kVA	Type A		Type 4	Export
909	18/02/2020	Metro South	SSD115	NL115D	0.08	0.00	0.08	0.08	Solar PV	3x 3 kVA SMA Solar Technology AG SB3000TL-20, 3x 25 kVA Fronius Australia 25.0-3-S	N/A	N/A	11/0.433	750 kVA	Type A		Type 4	Export
910	18/02/2020	Metro South	SSD402	SM402D	0.05	0.00	0.05	0.05	Solar PV	1x 50 kVA JIANGSU GOODWE POWER SUPPLY TECHNOLOGY CO LTD GW50K-MT	N/A	N/A	11/0.433	315 kVA	Type A		Type 4	Export
911	18/02/2020	Fleurieu Peninsula	SSD368	VH15	0.07	0.00	0.07	0.07	Solar PV	1x 25 kVA SMA Australia Pty Ltd STP25000TL-30, 2x 20 kVA SMA Australia Pty Ltd STP20000TL-30	N/A	N/A	11/0.433	50 kVA	Type A		Type 4	Export
912	18/02/2020	Metro North	SSD104	EL21	0.08	0.00	0.08	0.08	Solar PV	3x 27 kVA Fronius Australia 27.0-3-S	N/A	N/A	11/0.433	1000 kVA	Type A		Type 4	Export
913	18/02/2020	Riverland	SSD167	LX25	0.10	0.00	0.10	0.10	Solar PV	6x 5 kVA SMA Australia Pty Ltd STP5000TL-20, 14x 5 kVA SMA Australia Pty Ltd SB5.0-1AV-41	N/A	N/A	11/0.433	315 kVA	Type A		Type 4	Export
914	18/02/2020	Metro West	SSD520	SA520H	0.08	0.00	0.08	0.08	Solar PV	1x 82.8 kVA SolarEdge Technologies Ltd SE82.8K	N/A	N/A	11/0.433	500 kVA	Type A		Type 4	Export
915	18/02/2020	Metro East	SSD118	HH118B	0.06	0.00	0.06	0.06	Solar PV	3x 20 kVA Fronius International GmbH Symo 20.0-3-M	N/A	N/A	11/0.433	300 kVA	Type A		Type 4	Export
916	18/02/2020	Metro South	SSD234	NL234B	0.10	0.00	0.10	0.10	Solar PV	4x 25 kVA Fronius Australia 25.0-3-S	N/A	N/A	11/0.433	150 kVA	Type A		Type 4	Export
917	18/02/2020	Metro South	SSD511	NL511C	0.08	0.00	0.08	0.08	Solar PV	3x 27 kVA Fronius Australia 27.0-3-S	N/A	N/A	11/0.433	750 kVA	Type A		Type 4	Export
918	17/02/2020	Mid North	SSD213	NU06	0.55	0.00	0.55	0.20	Solar PV	1x 27.6 kVA SolarEdge Technologies Ltd SE27.6K, 3x 82.8 kVA SolarEdge Technologies Ltd SE82.8K	N/A	N/A	11/0.433	2000 kVA	Type B		Type 4	Export
919	11/02/2020	Riverland	SSD420	BM56	0.20	0.00	0.20	0.20	Solar PV	4x 50 kVA (ABB) Power-One Italy S.p.A TRIO-50.0-TL-OUTD	N/A	N/A	11/0.433	200 kVA	Type C		Type 4	Export
920	11/02/2020	Metro South	SSD200	ME200C	0.08	0.00	0.08	0.08	Solar PV	4x 20 kVA Fronius International GmbH Symo 20.0-3-M	N/A	N/A	11/0.433	500 kVA	Type A		Type 4	Export
921	11/02/2020	Metro West	SSD227	AP227D	0.06	0.00	0.06	0.06	Solar PV	3x 20 kVA Fronius International GmbH Symo 20.0-3-M	N/A	N/A	11/0.433	1000 kVA	Type A		Type 4	Export
922	10/02/2020		SSD831	MG42	0.08	0.00	0.08	0.08	Solar PV	3x 27 kVA Fronius Australia 27.0-3-S	N/A	N/A	11/0.433	1000 kVA	Type A		Type 4	Export
923	10/02/2020	South East	SSD713	MG34	0.06	0.00	0.06	0.06	Solar PV	3x 20 kVA Fronius International GmbH Symo 20.0-3-M	N/A	N/A	11/0.433	315 kVA	Type A		Type 4	Export
924	10/02/2020	Metro East	SSD121	HH121D	0.10	0.00	0.10	0.10	Solar PV	1x 100 kVA (ABB) Power-One Italy S.p.A PVS-100-TL	N/A	N/A	11/0.433	500 kVA	Type A		Type 4	Export
925	30/01/2020	Riverland	SSD235	LX43	0.12	0.00	0.12	0.12	Solar PV	2x 60 kVA SMA Australia Pty Ltd STP60-10	N/A	N/A	11/0.433	200 kVA	Type A		Type 4	Export
926	30/01/2020	Metro West	SSD520	SA520C	0.08	0.00	0.08	0.08	Solar PV	3x 27 kVA Fronius Australia 27.0-3-S	N/A	N/A	11/0.433	2000 kVA	Type A		Type 4	Export
927	30/01/2020	Riverland	SSD168	WK11	0.40	0.00	0.40	0.40	Solar PV	4x 50 kVA (ABB) Power-One Italy S.p.A TRIO-50.0-TL-OUTD	N/A	N/A	11/0.433	200 kVA	Type C		Type 4	Export
928	30/01/2020	CBD	SSD353	CBD353G	0.10	0.00	0.10	0.10	Solar PV	4x 25 kVA SMA Australia Pty Ltd STP25000TL-30	N/A	N/A	11		Type A		Type 2	Export
929	29/01/2020	Metro North	SSD407	SA11	0.08	0.00	0.08	0.02	Solar PV	1x 82.8 kVA SolarEdge Technologies Ltd SE82.8K	N/A	N/A	11/0.433	500 kVA	Type A		Type 4	Export
930	24/01/2020	Upper North	SSD333	PA07	0.05	0.00	0.05	0.05	Solar PV	1x 20 kVA SMA Solar Technology AG STP 20000TL-30, 2x 15 kVA Fronius International GmbH Symo 15.0-3-M	N/A	N/A	11/0.433	200 kVA	Type A		Type 4	Export
931	24/01/2020	Metro South	SSD760	NL760A	0.05	0.00	0.05	0.02	Solar PV	1x 50 kVA (ABB) Power-One Italy S.p.A PVS-50-TL-SX2	N/A	N/A	11/0.433	200 kVA	Type A		Type 4	Export
932	24/01/2020	Metro West	SSD427	ME427A	0.08	0.00	0.08	0.08	Solar PV	1x 82.8 kVA SolarEdge Technologies Ltd SE82.8K	N/A	N/A	11/0.433	750 kVA	Type A		Type 4	Export
933	23/01/2020	Metro South	SSD200	ME200C	0.08	0.00	0.08	0.08	Solar PV	4x 20 kVA Fronius International GmbH Symo 20.0-3-M	N/A	N/A	11/0.433	315 kVA	Type A		Type 4	Export
934	20/01/2020	Metro West	SSD139	AP139B	0.10	0.00	0.10	0.10	Solar PV	2x 50 kVA Jiangsu GoodWe Power Supply Technology Co Ltd GW50K-MT	N/A	N/A	11/0.433	300 kVA	Type A		Type 4	Export
935	16/01/2020	Metro East	SSD432	HH432E	0.15	0.00	0.15	0.15	Solar PV	3x 50 kVA SMA Australia Pty Ltd STP 50-40	N/A	N/A	11/0.433	150 kVA	Type A		Type 4	Export
936	16/01/2020	Eyre Peninsula	SSD803	PL803C	0.08	0.00	0.08	0.08	Solar PV	4x 20 kVA Fronius International GmbH Symo 20.0-3-M	N/A	N/A	11/0.433	200 kVA	Type A		Type 4	Export
937	16/01/2020	Metro West	SSD139	AP139B	0.08	0.00	0.08	0.08	Solar PV	3x 25 kVA SMA Australia Pty Ltd STP25000TL-30	N/A	N/A	11/0.433	750 kVA	Type A		Type 4	Export

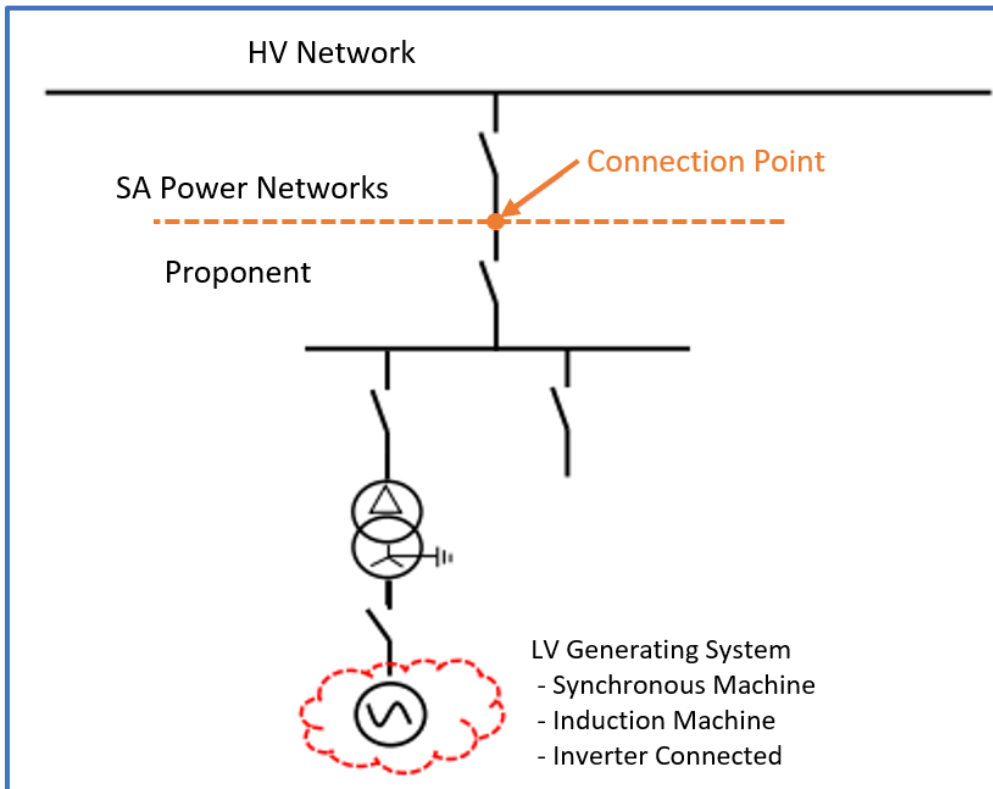
No.	Connection Date	Region	Substation	Feeder ID	Inverter Installed Capacity (MVA)	Rotating Installed Capacity (MVA)	Total Installed Capacity (MVA)	Allowable Export (MW)	Generation Fuel	Generating Unit Make & Model	Fault Contributions		Transformer Info		Protection and communication systems	Power Factor Control and/or Reactive Power Capability	Single Line Diagram of the Connection Arrangement	Export Details
											At Connection Point	Ph-Ground	Voltage (kV)	Rating				
938	15/01/2020	Eyre Peninsula	SSD265	CV08	0.10	0.00	0.10	0.00	Solar PV	2x 50 kVA SolarEdge Technologies Ltd SE50K	N/A	N/A	11/0.433	315 kVA	Type A		Type 4	Non Export
939	15/01/2020	Eyre Peninsula	SSD803	PL803C	0.05	0.00	0.05	0.05	Solar PV	1x 20 kVA Fronius International GmbH Symo 20.0-3-M, 1x 10 kVA Fronius International GmbH Symo 10.0-3-M, 1x 15 kVA Fronius International GmbH Symo 15.0-3-M	N/A	N/A	11/0.433	750 kVA	Type A		Type 4	Export
940	15/01/2020	CBD	SSD366	CBD366L	0.08	0.00	0.08	0.08	Solar PV	3x 25 kVA SMA Australia Pty Ltd STP25000TL-30	N/A	N/A	11/0.433	750 kVA	Type A		Type 4	Export
941	14/01/2020	CBD	SSD353	CBD353J	0.10	0.00	0.10	0.10	Solar PV	1x 100 kVA (ABB) Power-One Italy S.p.A PVS-100-TL	N/A	N/A	11/0.433	1000 kVA	Type A		Type 4	Export
942	10/01/2020	Metro South	SSD410	SM410C	0.08	0.00	0.08	0.08	Solar PV	1x 82.8 kVA SolarEdge Technologies Ltd SE82.8K	N/A	N/A	11/0.433	500 kVA	Type A		Type 4	Export
943	9/01/2020	Barossa	SSD202	GA03	0.05	0.00	0.05	0.02	Solar PV	1x 50 kVA SolarEdge Technologies Ltd SE50K	N/A	N/A	11/0.433	150 kVA	Type A		Type 4	Export
944	9/01/2020	Barossa	SSD362	GA09	0.10	0.00	0.10	0.10	Solar PV + Storage	3x 20 kVA Selectronic Australia SPLC1202, 1x 40 kVA Selectronic Australia SelectSun 40K (842A040)	N/A	N/A	11/0.433	150 kVA	Type A		Type 4	Export
945	9/01/2020	Metro West	SSD520	SA520J	0.09	0.00	0.09	0.09	Solar PV	2x 27 kVA Fronius Australia 27.0-3-S, 1x 17.5 kVA Fronius International GmbH Symo 17.5-3-M, 1x 15 kVA Fronius International GmbH Symo 15.0-3-M	N/A	N/A	11/0.433	300 kVA	Type A		Type 4	Export
946	7/01/2020	Eyre Peninsula	SSD133	WHY01	0.10	0.00	0.10	0.10	Solar PV	2x 50 kVA (ABB) Power-One Italy S.p.A PVS-50-TL-SX2	N/A	N/A	11/0.433	315 kVA	Type A		Type 4	Export
947	7/01/2020	Metro North	SSD744	SA36	0.08	0.00	0.08	0.08	Solar PV	3x 27 kVA Fronius Australia 27.0-3-S	N/A	N/A	11/0.433	200 kVA	Type A		Type 4	Export
948	7/01/2020		SSD831	MG44	0.10	0.00	0.10	0.10	Solar PV	1x 100 kVA (ABB) Power-One Italy S.p.A PVS-100-TL	N/A	N/A	11/0.433	750 kVA	Type A		Type 4	Export
949	7/01/2020	Metro South	SSD137	SM137B	0.08	0.00	0.08	0.08	Solar PV	3x 27 kVA Fronius Australia 27.0-3-S	N/A	N/A	11/0.433	1000 kVA	Type A		Type 4	Export
950	6/01/2020	CBD	SSD366	CBD366A	0.13	0.00	0.13	0.13	Solar PV	2x 27.6 kVA (ABB) Power-One Italy S.p.A TRIO-27.6-TL-OUTD-400, 3x 25 kVA SolarEdge Technologies Ltd SE25K	N/A	N/A	11/0.433	2000 kVA	Type A		Type 4	Export

3 Single Line Diagram Types

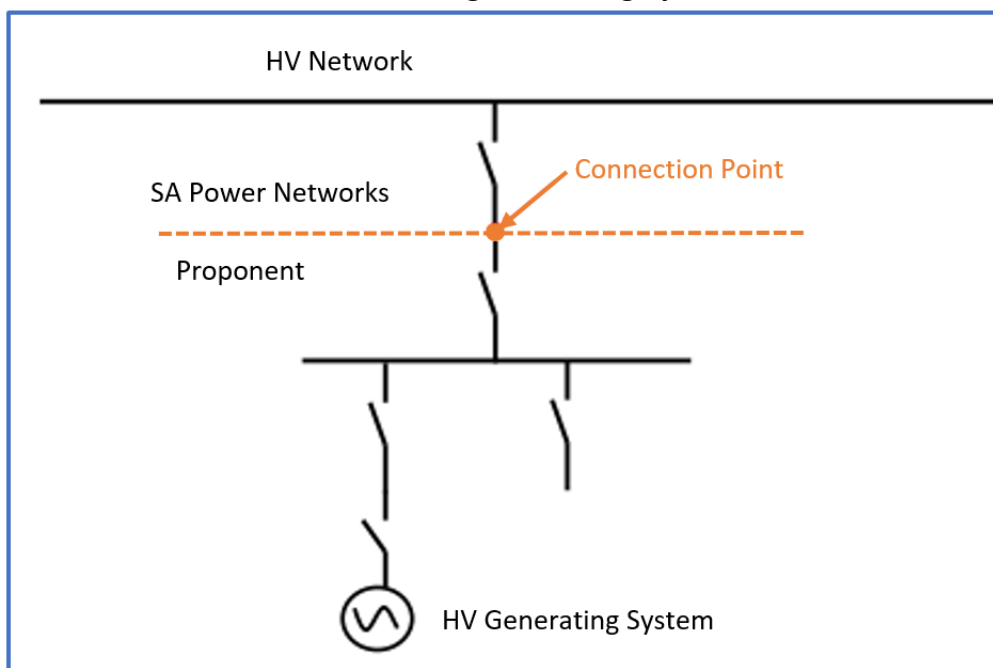
Type 1	HV Connection Point, LV Rotating or Inverter Generating System
Type 2	HV Connection Point, HV Rotating Generating System
Type 3	LV Connection Point with LV Rotating Generating System
Type 4	LV Connection Point with LV Inverter Generating System
Type 5	HV Connection Point at Substation with HV Rotating or Inverter Generating System

Table 1 - Single Line Diagram Types

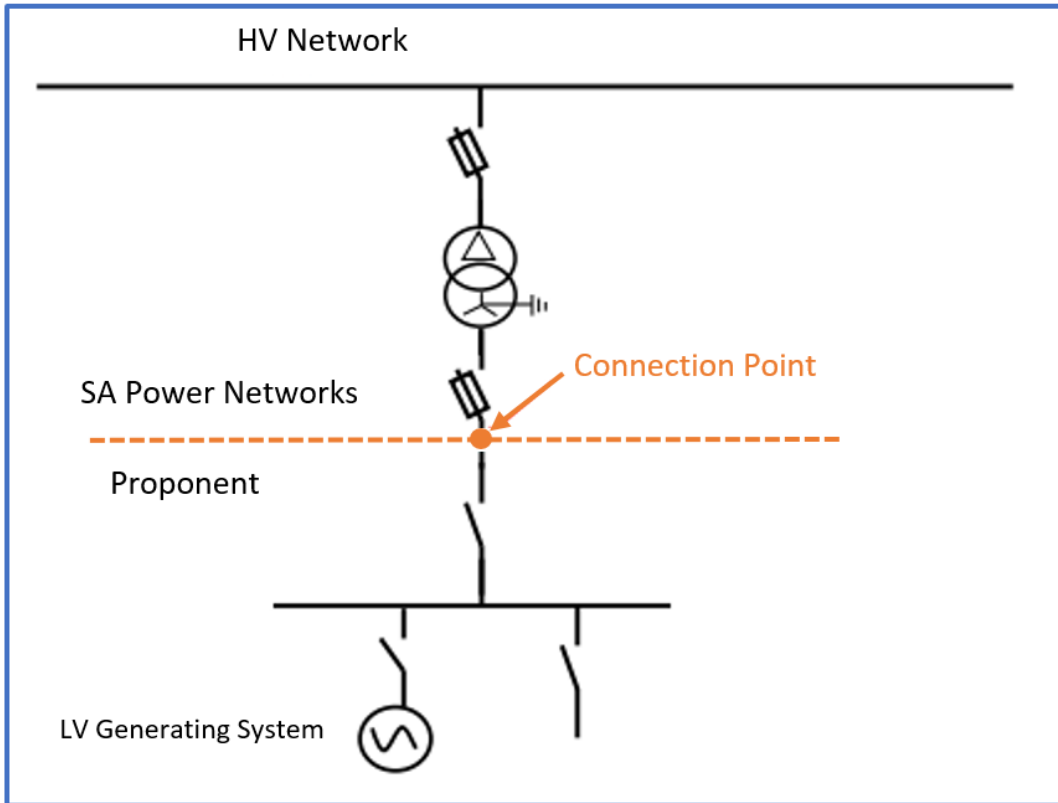
Type 1 – HV Connection Point, LV Rotating or Inverter Generating System



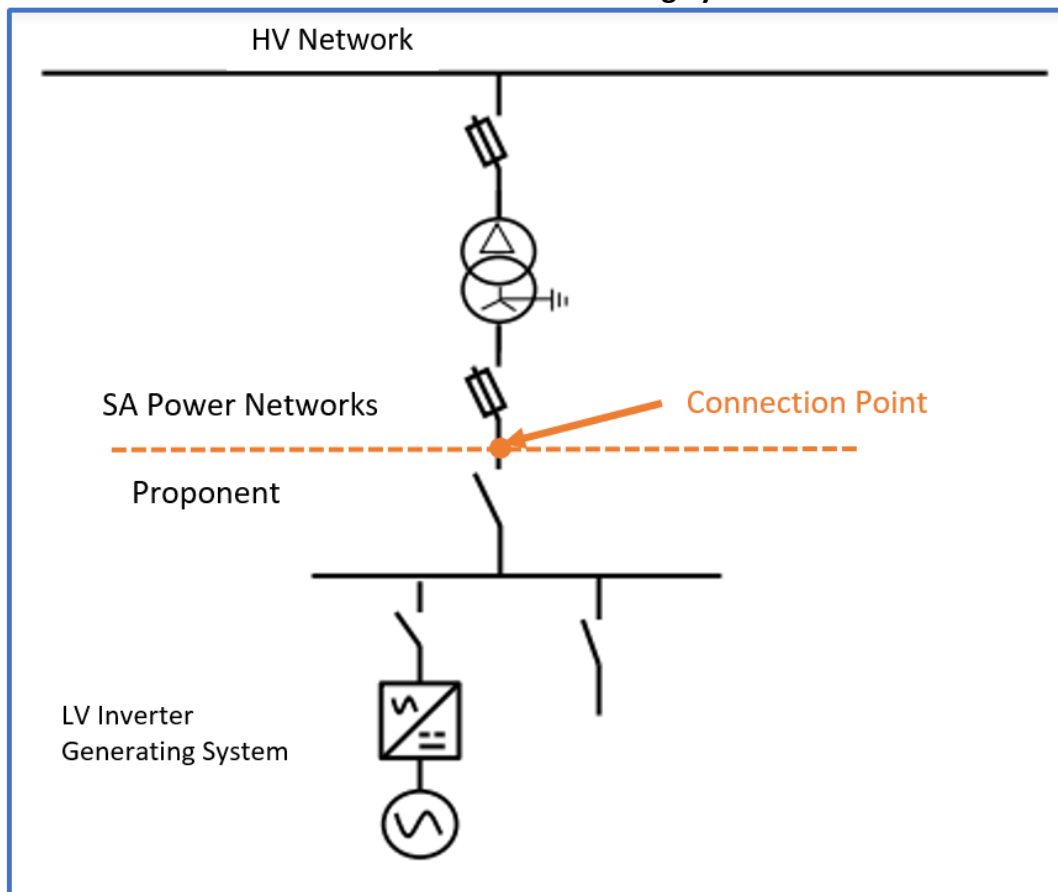
Type 2 – HV Connection Point, HV Rotating Generating System



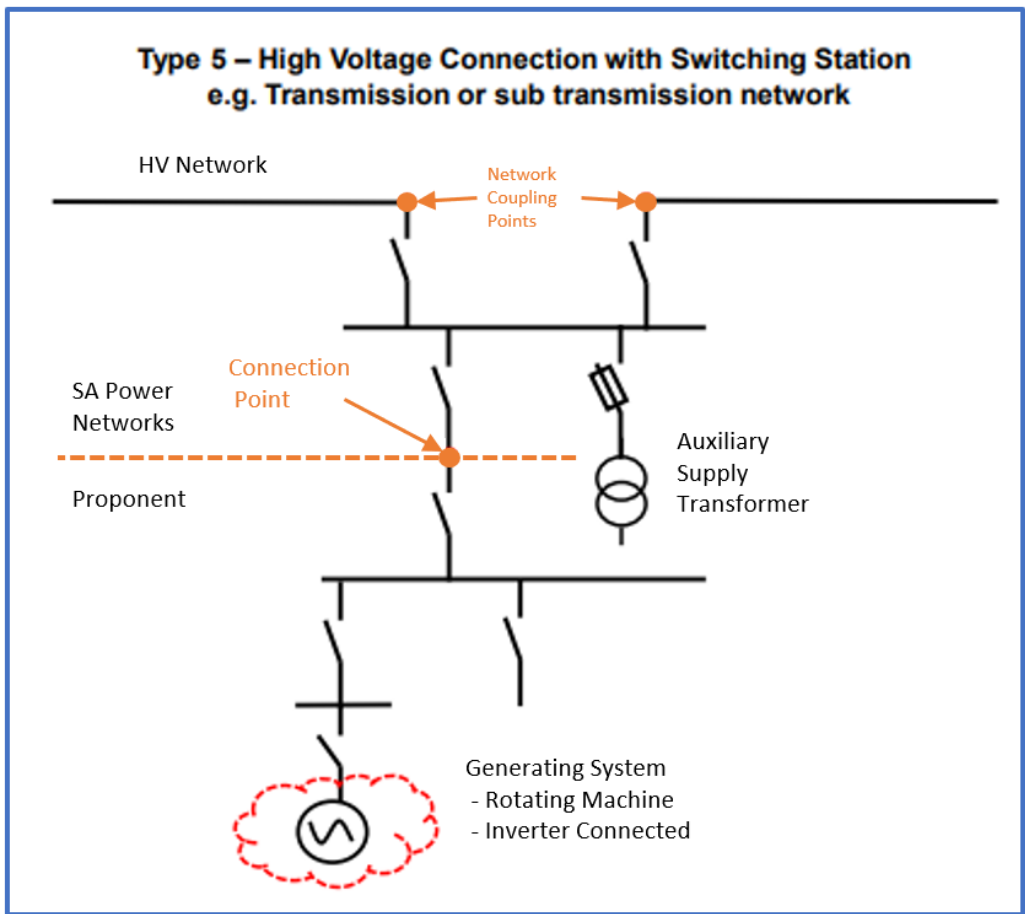
Type 3 – LV Connection Point with LV Rotating Generating System



Type 4 – LV Connection Point with LV Inverter Generating System



Type 5 – HV Connection Point at Substation with HV Rotating or Inverter Generating System



4 Protection System Types

Type A	30-200kW Inverter
Type B	≥200kW Inverter (export <200kW incl non-export)
Type C	≥200kW Inverter
Type D	≥5MW Inverter
Type E	≥5MW Rotating
Type F	<5MW Rotating
Type G	Rotating (non-export)

Table 2 - Protection System Types Summary

4.1 Protection System Types – Detailed

Type A
30-200kW Inverter
AS4777 Anti-Islanding
Backup Anti-Islanding
Voltage Unbalance

Type B
≥200kW Inverter (export <200kW incl non-export)
AS4777 Anti-Islanding
Backup Anti-Islanding
Non-Export
Voltage Unbalance

Type C
≥200kW Inverter
AS4777 Anti-Islanding
Backup Anti-Islanding
Overcurrent and Earth Fault
SCADA
Voltage Unbalance

Type D
≥5MW Inverter
Inter-trip scheme to prevent islanding
Generating System Under/Over Frequency
Generating System Under/Over Voltage
ROCOF
Overcurrent and Earth Fault
SCADA
Voltage Unbalance
Circuit Breaker Fail

Type E
<5MW Rotating
Inter-trip scheme to prevent islanding
Permissive interlocks
AS4777 Anti-Islanding
Generating System Under/Over Frequency
Generating System Under/Over Voltage
ROCOF
Overcurrent and Earth Fault
Synchronisation
SCADA
Pole Slip
Voltage Unbalance
Circuit Breaker Fail

Type F
≥5MW Rotating
Inter-trip Scheme to prevent Islanding
Permissive Interlocks
Generating System Under/Over Frequency
Generating System Under/Over Voltage
ROCOF
Overcurrent and Earth Fault
Synchronisation
SCADA
Pole Slip
Voltage Unbalance
Circuit Breaker Fail

Type G
Rotating (non-export)
AS4777 Anti-Islanding
Backup Anti-Islanding
Minimum Import
Voltage Unbalance

Other site-specific protection potentially required to any class listed above:
Inter-trip
Runback Scheme
Dedicated Line/Feeder protection
Set 1&2 Protection
Permissive Signalling & Fault Current Limiter
Circuit Breaker Fail