



Register of Completed Distribution Connected Resource Projects Under 5MW

January 2021 – December 2025

8/12/2025 – Version 1.0



Empowering South Australia

Contents

Document Control	1
1 Introduction	2
2 Project Register	3
3 Single Line Diagram Types	69
4 Protection System Types	72
4.1 Protection System Types – Detailed	72

Document Control

Version	Date	Author	Description
0.1	5/12/2025	Connections Engineering	Final Draft for Review
1.0	5/12/2025	Connections Engineering	For Issue

1 Introduction

The purpose of this document is to provide information on embedded generation projects that have been successfully connected to SA Power Network's Distribution Network and corresponding details of these projects.

In accordance with the National Electricity Rules (NER) clause 5.18B.2 SA Power Networks is required to publish a register of completed embedded generation projects that includes, but is not limited to:

- (1) technology of each distribution connected unit (e.g. synchronous generating unit, induction generator, photovoltaic array, etc) and its make and model;
- (2) maximum power generation capacity of all distribution connected units comprised in the system;
- (3) contribution to fault levels;
- (4) the size and rating of the relevant transformer;
- (5) a single line diagram of the connection arrangement;
- (6) protection systems and communication systems;
- (7) voltage control and reactive power capability; and
- (8) details specific to the location of a facility connected to the network that are relevant to any of the details in items mentioned above.

This register will be updated and published annually by the 31 December.

For more information on the requirements of this reporting and for Generating System connections to our Network, please refer to Technical Standards [TS-132](#) and [TS-133](#) on our website.

Disclaimer

This document is not intended to be used for other purposes, such as making decisions to invest in generation, transmission, or distribution capacity.

Whilst care was taken in the preparation of the information in this document, and it is provided in good faith, SA Power Networks accepts no responsibility or liability for any loss or damage that may be incurred by any person acting in reliance on this information or assumptions drawn from it.

SA Power Networks advises that anyone proposing to use the information in this document should verify its reliability, accuracy and completeness before committing to any course of action. SA Power Networks makes no warranties or representations as to the document's reliability, accuracy and completeness and SA Power Networks specifically disclaims any liability or responsibility for any errors or omissions.

2 Project Register

No.	Connection Date	Region	Substations	Feeder ID	Inverter Installed Capacity (MVA)	Rotating Installed Capacity (MVA)	Total Installed Capacity (MVA)	Allowable Export (MW)	Generation Fuel	Generating Unit Make & Model	Fault Contributions		Transformer Info		Protection and communication systems	Voltage control and reactive power capability	Single Line Diagram of the Connection Arrangement	Export Details
											At Connection Point	Ph-Ground	Voltage (kV)	Rating				
1	21/11/2025	Metro North	SSD104	EL14	0.04	0.00	0.04	0.00	Solar PV	1x 15 kVA Sungrow Power Supply Co Ltd SG15RT (AS4777-2 2020), 1x 3 kVA Sungrow Power Supply Co Ltd SG3.0RS (AS4777-2 2020), 1x 3 kVA GoodWe Technologies Co Ltd GW3000-DNS-30 (AS4777-2 2020)	N/A	N/A	11/0.433	500 kVA	Type A	As per AS4777 and SAPN EG standard applicable at time of connection	Type 4	Non Export
2	14/11/2025	Metro South	SSD131	ME131C	0.06	0.00	0.06	0.03	Storage	1x 29.999 kVA Shanghai SIGEN New Energy Technology Co Ltd SigenStor-30T-48 (AS4777-2 2020)	N/A	N/A	11/0.433	315 kVA	Type A	As per AS4777 and SAPN EG standard applicable at time of connection	Type 4	Export
3	6/11/2025	Metro North	SSD744	SA36	0.10	0.00	0.10	0.10	Solar PV	1x 17 kVA SolarEdge Technologies Ltd SE17K, 3x 27.6 kVA SolarEdge Technologies Ltd SE27.6K	N/A	N/A	11/0.433	315 kVA	Type A	As per AS4777 and SAPN EG standard applicable at time of connection	Type 4	Export
4	3/11/2025	Riverland	SSD167	LX25	0.21	0.00	0.21	0.21	Solar PV + Storage	2x 50 kVA Sungrow Power Supply Co Ltd SG50CX (AS4777-2 2020), 1x 110 kVA Sungrow Power Supply Co Ltd SC110CX (AS4777-2 2020)	N/A	N/A	11/0.433	750 kVA	Type C	As per AS4777 and SAPN EG standard applicable at time of connection	Type 4	Export
5	3/11/2025	Eyre Peninsula	SSD133	WHY04	0.05	0.00	0.05	0.05	Solar PV	1x 50 kVA SolarEdge Technologies Ltd SE50K (AS4777-2 2020)	N/A	N/A	11/0.433	300 kVA	Type A	As per AS4777 and SAPN EG standard applicable at time of connection	Type 4	Export
6	28/10/2025	Fleurieu Peninsula	SSD450	KI31	0.20	0.00	0.20	0.00	Solar PV	2x 100 kVA Fronius Australia Pty Ltd Tauro Eco 100-3-P (AS4777-2 2020)	0	0	11/0.433	500 kVA	Type B	As per AS4777 and SAPN EG standard applicable at time of connection	Type 4	Non Export
7	28/10/2025	Fleurieu Peninsula	SSD450	KI31	0.40	0.00	0.40	0.00	Solar PV	4x 100 kVA Fronius Australia Pty Ltd Tauro Eco 100-3-P (AS4777-2 2020)	0	0	11/0.433	750 kVA	Type B	As per AS4777 and SAPN EG standard applicable at time of connection	Type 4	Non Export
8	22/10/2025	Metro South	SSD511	NL511C	0.20	0.00	0.20	0.20	Solar PV	4x 50 kVA Sungrow Power Supply Co Ltd SG50CX-P2 (AS4777-2 2020)	N/A	N/A	11/0.433	1000 kVA	Type C	As per AS4777 and SAPN EG standard applicable at time of connection	Type 4	Export
9	17/10/2025	Metro North	SSD407	SA19	0.05	0.00	0.05	0.05	Solar PV + Storage	2x 25 kVA Sungrow Power Supply Co Ltd SH25T (AS4777-2 2020)	N/A	N/A	11/0.433	300 kVA	Type A	As per AS4777 and SAPN EG standard applicable at time of connection	Type 4	Export
10	16/10/2025	Mid North	SSD784	R18	0.09	0.00	0.09	0.09	Solar PV + Storage	2x 20 kVA Fronius International GmbH Symo 20.0-3-M, 2x 10 kVA Fronius International GmbH Symo 10.0-3-M, 1x 25 kVA Sungrow Power Supply Co Ltd SH25T (AS4777-2 2020)	N/A	N/A	11/0.433	200 kVA	Type A	As per AS4777 and SAPN EG standard applicable at time of connection	Type 4	Export
11	10/10/2025	Southern Rural	SSD413	MV53	0.04	0.00	0.04	0.02	Solar PV + Storage	1x 15 kVA Fronius International GmbH Symo 15.0-3-M, 1x 25 kVA Shanghai SIGEN New Energy Technology Co Ltd SigenStor-25T-48 (AS4777-2 2020)	N/A	N/A	11/0.433	30 kVA	Type A	As per AS4777 and SAPN EG standard applicable at time of connection	Type 4	Export
12	10/10/2025	Metro East	SSD118	HH118A	0.11	0.00	0.11	0.11	Solar PV	1x 110 kVA Sungrow Power Supply Co Ltd SG110CX-P2 (AS4777-2 2020)	N/A	N/A	11/0.433	300 kVA	Type A	As per AS4777 and SAPN EG standard applicable at time of connection	Type 4	Export
13	8/10/2025	Metro West	SSD424	AP424F	0.05	0.00	0.05	0.05	Solar PV	1x 50 kVA Sungrow Power Supply Co Ltd SG50CX-P2 (AS4777-2 2020)	N/A	N/A	11/0.433	300 kVA	Type A	As per AS4777 and SAPN EG standard applicable at time of connection	Type 4	Export

No.	Connection Date	Region	Substations	Feeder ID	Inverter Installed Capacity (MVA)	Rotating Installed Capacity (MVA)	Total Installed Capacity (MVA)	Allowable Export (MW)	Generation Fuel	Generating Unit Make & Model	Fault Contributions		Transformer Info		Protection and communication systems	Voltage control and reactive power capability	Single Line Diagram of the Connection Arrangement	Export Details
											At Connection Point	Ph-Ground	Voltage (kV)	Rating				
14	2/10/2025	Metro West	SSD372	AP372F	0.05	0.00	0.05	0.01	Solar PV	1x 50 kVA Sungrow Power Supply Co Ltd SG50CX-P2 (AS4777-2 2020)	N/A	N/A	11/0.433	300 kVA	Type A	As per AS4777 and SAPN EG standard applicable at time of connection	Type 4	Export
15	2/10/2025	Riverland	SSD420	BM52	0.16	0.00	0.16	0.16	Solar PV + Storage	5x 27.6 kVA (ABB) Power-One Italy S.p.A TRIO-27.6-TL-OUTD-400,1x 25 kVA Sungrow Power Supply Co Ltd SH25T (AS4777-2 2020)	N/A	N/A	11/0.433	315 kVA	Type A	As per AS4777 and SAPN EG standard applicable at time of connection	Type 4	Export
16	30/09/2025	Metro East	SSD428	HH428F	0.05	0.00	0.05	0.05	Solar PV + Storage	1x 15 kVA Shanghai SIGEN New Energy Technology Co Ltd SigenStor-15T-48 (AS4777-2 2020),1x 9.999 kVA Shanghai SIGEN New Energy Technology Co Ltd SigenStor-10T-48 (AS4777-2 2020),103x 0.29 kVA Enphase Energy New Zealand Limited IQ7PLUS-72-2-INT	N/A	N/A	11/0.433	315 kVA	Type A	As per AS4777 and SAPN EG standard applicable at time of connection	Type 4	Export
17	30/09/2025	Metro North	SSD184	EL19	0.08	0.00	0.08	0.08	Solar PV	1x 29.9 kVA Huawei Technologies Co Ltd SUN2000-29.9KTL,1x 50 kVA Sungrow Power Supply Co Ltd SG50CX (AS4777-2 2020)	N/A	N/A	11/0.433	100 kVA	Type A	As per AS4777 and SAPN EG standard applicable at time of connection	Type 4	Export
18	17/09/2025	Eastern Hills	SSD777	MTB13	0.04	0.00	0.04	0.03	Solar PV + Storage	1x 15 kVA Shanghai SIGEN New Energy Technology Co Ltd SigenStor EC 15.0 TP AU (AS4777-2 2020),1x 20 kVA Fronius Australia Pty Ltd Symo 20.0-3-M (AS4777-2 2020)	N/A	N/A	11/0.433	500 kVA	Type A	As per AS4777 and SAPN EG standard applicable at time of connection	Type 4	Export
19	15/09/2025	Metro West	SSD227	AP227D	0.08	0.00	0.08	0.08	Solar PV + Storage	1x 25 kVA Sungrow Power Supply Co Ltd SH25T (AS4777-2 2020),1x 50 kVA Sungrow Power Supply Co Ltd SG50CX (AS4777-2 2020)	N/A	N/A	11/0.433	1000 kVA	Type A	As per AS4777 and SAPN EG standard applicable at time of connection	Type 4	Export
20	15/09/2025	Metro West	SSD424	AP424A	0.04	0.00	0.04	0.03	Solar PV + Storage	1x 20 kVA Shanghai SIGEN New Energy Technology Co Ltd SigenStor EC 20.0 TP AU (AS4777-2 2020),54x 0.366 kVA Enphase Energy Australia Pty Ltd IQ7A-72-M-INT (AS4777-2 2020)	N/A	N/A	11/0.433	315 kVA	Type A	As per AS4777 and SAPN EG standard applicable at time of connection	Type 4	Export
21	10/09/2025	Barossa	SSD150	NU02	0.31	0.00	0.31	0.31	Solar PV	8x 25 kVA Fronius Australia 25.0-3-S,2x 50 kVA Fronius Australia Pty Ltd Tauro 50-3-D (AS4777-2 2020),1x 10 kVA Fronius Australia Pty Ltd Symo Advanced 10.0-3-M (AS4777-2 2020)	N/A	N/A	11/0.433	1000 kVA	Type C	As per AS4777 and SAPN EG standard applicable at time of connection	Type 4	Export
22	9/09/2025	Eastern Hills	SSD178	GU41	0.09	0.00	0.09	0.02	Solar PV + Storage	3x 25 kVA Fronius Australia 25.0-3-S,3x 5 kVA Tesla Inc AC Powerwall (AS4777-2 2020)	N/A	N/A	11/0.433	200 kVA	Type A	As per AS4777 and SAPN EG standard applicable at time of connection	Type 4	Export
23	9/09/2025	Metro West	SSD146	AP146C	0.08	0.00	0.08	0.08	Solar PV	1x 50 kVA Fronius Australia Pty Ltd Tauro 50-3-P (AS4777-2 2020),1x 15 kVA Fronius International GmbH Symo 15.0-3-M	N/A	N/A	11/0.433	300 kVA	Type A	As per AS4777 and SAPN EG standard applicable at time of connection	Type 4	Export
24	9/09/2025	Metro East	SSD409	HH409E	0.04	0.00	0.04	0.02	Solar PV + Storage	1x 20 kVA Shanghai SIGEN New Energy Technology Co Ltd SigenStor EC 20.0 TP AU (AS4777-2 2020),1x 5 kVA Fronius International GmbH Symo 5.0-3-M,1x 10 kVA Fronius International GmbH Symo 10.0-3-M	N/A	N/A	11/0.433	200 kVA	Type A	As per AS4777 and SAPN EG standard applicable at time of connection	Type 4	Export
25	4/09/2025	Fleurieu Peninsula	SSD368	VH12	0.05	0.00	0.05	0.05	Solar PV	2x 27 kVA Fronius Australia Pty Ltd Eco 27.0-3-S (AS4777-2 2020)	N/A	N/A	11/0.433	315 kVA	Type A	As per AS4777 and SAPN EG standard applicable at time of connection	Type 4	Export
26	4/09/2025	Metro West	SSD146	AP146B	0.11	0.00	0.11	0.11	Solar PV	1x 110 kVA Sungrow Power Supply Co Ltd SG110CX (AS4777-2 2020)	N/A	N/A	11/0.433	300 kVA	Type A	As per AS4777 and SAPN EG standard	Type 4	Export

No.	Connection Date	Region	Substations	Feeder ID	Inverter Installed Capacity (MVA)	Rotating Installed Capacity (MVA)	Total Installed Capacity (MVA)	Allowable Export (MW)	Generation Fuel	Generating Unit Make & Model	Fault Contributions		Transformer Info		Protection and communication systems	Voltage control and reactive power capability	Single Line Diagram of the Connection Arrangement	Export Details
											At Connection Point	Ph-Ground	Voltage (kV)	Rating				
																applicable at time of connection		
27	2/09/2025	Metro South	SSD115	NL115A	0.16	0.00	0.16	0.16	Solar PV	1x 110 kVA Sungrow Power Supply Co Ltd SG110CX-P2 (AS4777-2 2020), 1x 50 kVA Sungrow Power Supply Co Ltd SG50CX-P2 (AS4777-2 2020)	N/A	N/A	11/0.433	2000 kVA	Type A	As per AS4777 and SAPN EG standard applicable at time of connection	Type 4	Export
28	2/09/2025	Metro West	SSD427	ME427A	0.07	0.00	0.07	0.07	Solar PV	2x 33 kVA Fimer SpA PVS-33-TL-SX (AS4777-2 2020)	N/A	N/A	11/0.433	750 kVA	Type A	As per AS4777 and SAPN EG standard applicable at time of connection	Type 4	Export
29	29/08/2025	Metro North	SSD407	SA17	0.15	0.00	0.15	0.15	Solar PV	1x 27 kVA Fronius Australia 27.0-3-S, 2x 27 kVA Fronius Australia 27.0-3-S, 3x 15 kVA Fronius International GmbH Symo 15.0-3-M	N/A	N/A	11/0.433	200 kVA	Type A	As per AS4777 and SAPN EG standard applicable at time of connection	Type 4	Export
30	29/08/2025	Metro West	SSD520	SA520E	0.10	0.00	0.10	0.10	Solar PV	1x 100 kVA Fronius Australia Pty Ltd Tauro Eco 100-3-D (AS4777-2 2020)	N/A	N/A	11/0.433	1500 kVA	Type A	As per AS4777 and SAPN EG standard applicable at time of connection	Type 4	Export
31	28/08/2025	Murraylands	SSD151	MB11	0.36	0.00	0.36	0.12	Solar PV	1x 110 kVA Sungrow Power Supply Co Ltd SG110CX (AS4777-2 2020), 1x 29.9 kVA Sungrow Power Supply Co Ltd SG30CX (AS4777-2 2020)	N/A	N/A	11/0.433	2000 kVA	Type B	As per AS4777 and SAPN EG standard applicable at time of connection	Type 4	Export
32	27/08/2025	Murraylands	SSD151	MB12	0.10	0.00	0.10	0.10	Solar PV + Storage	2x 20 kVA SMA Australia Pty Ltd STP20000TL-30, 1x 25 kVA SMA Australia Pty Ltd STP25000TL-30, 3x 10 kVA Tesla Inc 1707000-10 kVA (AS4777-2 2020)	N/A	N/A	11/0.433	100 kVA	Type A	As per AS4777 and SAPN EG standard applicable at time of connection	Type 4	Export
33	26/08/2025	Metro South	SSD521	MV16	0.04	0.00	0.04	0.02	Solar PV + Storage	1x 10 kVA Fronius International GmbH 10.0-3-M, 1x 5 kVA Tesla Inc AC Powerwall (AS4777-2 2020), 1x 20 kVA Fronius International GmbH Symo 20.0-3-M	N/A	N/A	11/0.433	300 kVA	Type A	As per AS4777 and SAPN EG standard applicable at time of connection	Type 4	Export
34	26/08/2025	Metro West	SSD829	AP829F	1.43	0.00	1.43	0.09	Solar PV + Storage	10x 82.8 kVA SolarEdge Technologies Ltd SE82.8K, 6x 100 kVA Delta Electronics Inc PCS100 (AS4777-2 2020)	N/A	N/A	11/0.433	1000 kVA	Type B	As per AS4777 and SAPN EG standard applicable at time of connection	Type 4	Export
35	22/08/2025	Metro East	SSD103	CBD103C	0.05	0.00	0.05	0.02	Solar PV	1x 29.9 kVA GoodWe Technologies Co Ltd GW29.9K-MT (AS4777-2 2020), 1x 25 kVA SolarEdge Technologies Ltd SE25K	N/A	N/A	11/0.433	1000 kVA	Type A	As per AS4777 and SAPN EG standard applicable at time of connection	Type 4	Export
36	21/08/2025	Riverland	SSD420	BM54	0.55	0.00	0.55	0.20	Solar PV	5x 110 kVA Sungrow Power Supply Co Ltd SG110CX (AS4777-2 2020)	N/A	N/A	11/0.433	2000 kVA	Type C	As per AS4777 and SAPN EG standard applicable at time of connection	Type 4	Export
37	21/08/2025	Riverland	SSD420	BM54	0.20	0.00	0.20	0.20	Solar PV	1x 50 kVA (ABB) Power-One Italy S.p.A TRIO-50.0-TL-OUTD	N/A	N/A	11/0.433	1500 kVA	Type C	As per AS4777 and SAPN EG standard applicable at time of connection	Type 4	Export
38	19/08/2025	CBD	SSD412	CBD412N	0.06	0.00	0.06	0.00	Solar PV	2x 29.9 kVA GoodWe Technologies Co Ltd GW29.9K-MT (AS4777-2 2020)	N/A	N/A	11/0.433	500 kVA	Type A	As per AS4777 and SAPN EG standard applicable at time of connection	Type 4	Export
39	15/08/2025	CBD	SSD367	CBD367A	0.53	0.00	0.53	0.00	Solar PV + Storage	3x 10 kVA SMA Australia Pty Ltd 10000TL, 1x 3 kVA Fronius Australia IG TL 3.0, 2x 250 kVA Trigen Trigenator-BESS - (NXA 4605 - NXI09205)	N/A	N/A	11/0.433	1500 kVA	Type B	As per AS4777 and SAPN EG standard applicable at time of connection	Type 4	Non Export

No.	Connection Date	Region	Substations	Feeder ID	Inverter Installed Capacity (MVA)	Rotating Installed Capacity (MVA)	Total Installed Capacity (MVA)	Allowable Export (MW)	Generation Fuel	Generating Unit Make & Model	Fault Contributions		Transformer Info		Protection and communication systems	Voltage control and reactive power capability	Single Line Diagram of the Connection Arrangement	Export Details
											At Connection Point	Ph-Ground	Voltage (kV)	Rating				
40	12/08/2025	Eastern Hills	SSD178	GU41	0.11	0.00	0.11	0.11	Solar PV + Storage	1x 10 kVA SMA Australia Pty Ltd STP 10000TL-10, 2x 25 kVA Fronius Australia ECO 25.0-3-S, 1x 8.2 kVA Fronius International GmbH Symo 8.2-3-M, 1x 9.999 kVA Fronius Australia Pty Ltd Primo GEN24 10.0 (AS4777-2 2020), 1x 8.2 kVA Fronius Australia Pty Ltd Primo 8.2-1 (AS4777-2 2020), 5x 5 kVA Tesla Inc AC Powerwall (AS4777-2 2020)	N/A	N/A	11/0.433	200 kVA	Type A	As per AS4777 and SAPN EG standard applicable at time of connection	Type 4	Export
41	12/08/2025	Metro West	SSD365	AP365F	0.23	0.00	0.23	0.20	Solar PV	1x 82.8 kVA SolarEdge Technologies Ltd SE82.8K, 1x 100 kVA SolarEdge Technologies Ltd SE100K (AS4777-2 2020), 1x 50 kVA SolarEdge Technologies Ltd SE50K	N/A	N/A	11/0.433	1500 kVA	Type B	As per AS4777 and SAPN EG standard applicable at time of connection	Type 4	Export
42	1/08/2025	Eyre Peninsula	SSD196	PL14	0.05	0.00	0.05	0.05	Solar PV + Storage	1x 25 kVA Sungrow Power Supply Co Ltd SH25T (AS4777-2 2020), 1x 20 kVA Sungrow Power Supply Co Ltd SG20RT (AS4777-2 2020)	N/A	N/A	11/0.433	200 kVA	Type A	As per AS4777 and SAPN EG standard applicable at time of connection	Type 4	Export
43	29/07/2025	Mid North	SSD190	CL09	0.04	0.00	0.04	0.00	Solar PV	2x 20 kVA GoodWe Technologies Co Ltd GW20KAU-DT (AS4777-2 2020)	N/A	N/A	11/0.433	200 kVA	Type A	As per AS4777 and SAPN EG standard applicable at time of connection	Type 4	Export
44	29/07/2025	Metro West	SSD829	AP829K	0.08	0.00	0.08	0.08	Solar PV + Storage	1x 29.9 kVA Sungrow Power Supply Co Ltd SG30CX-P2 (AS4777-2 2020), 1x 25 kVA Sungrow Power Supply Co Ltd SH25T (AS4777-2 2020)	N/A	N/A	11/0.433	300 kVA	Type A	As per AS4777 and SAPN EG standard applicable at time of connection	Type 4	Export
45	29/07/2025	Metro West	SSD347	ME347G	0.14	0.00	0.14	0.15	Solar PV + Storage	1x 50 kVA SolarEdge Technologies Ltd SE50K (AS4777-2 2020), 1x 5 kVA SolarEdge Technologies Ltd SE5000H-BPV (AS4777-2 2020), 1x 82.8 kVA SolarEdge Technologies Ltd SE82.8K (AS4777-2 2020), 1x 7 kVA V2 Grid Australia Numbat -7-EXPO07k1-FSW	N/A	N/A	11/0.433	1000 kVA	Type A	As per AS4777 and SAPN EG standard applicable at time of connection	Type 4	Export
46	29/07/2025	Metro North	SSD744	SA744A	0.05	0.00	0.05	0.05	Solar PV	1x 50 kVA Sungrow Power Supply Co Ltd SG50CX-P2 (AS4777-2 2020)	N/A	N/A	11/0.433	2000 kVA	Type A	As per AS4777 and SAPN EG standard applicable at time of connection	Type 4	Export
47	28/07/2025	South East	SSD135	SD49500	0.04	0.00	0.04	0.04	Solar PV	1x 27 kVA Fronius Australia 27.0-3-S, 1x 15 kVA Fronius Australia Pty Ltd Symo Advanced 15.0-3-M (AS4777-2 2020)	N/A	N/A	33/0.433	1000 kVA	Type A	As per AS4777 and SAPN EG standard applicable at time of connection	Type 4	Export
48	28/07/2025	Eastern Hills	SSD777	MTB12	0.33	0.00	0.33	0.20	Solar PV	1x 110 kVA Sungrow Power Supply Co Ltd SG110CX (AS4777-2 2020), 2x 110 kVA Sungrow Power Supply Co Ltd SG110CX-P2 (AS4777-2 2020)	N/A	N/A	11/0.433	1000 kVA	Type B	As per AS4777 and SAPN EG standard applicable at time of connection	Type 4	Export
49	22/07/2025	South East	SSD195	MG02	0.05	0.00	0.05	0.02	Solar PV	2x 15 kVA SMA Australia Pty Ltd STP15000TL-30, 1x 15 kVA SMA Australia Pty Ltd STP 15-50 (AS4777-2 2020)	N/A	N/A	11/0.433	200 kVA	Type A	As per AS4777 and SAPN EG standard applicable at time of connection	Type 4	Export
50	22/07/2025	South East	SSD295	MG06	0.06	0.00	0.06	0.06	Solar PV	4x 15 kVA Fronius Australia Pty Ltd Symo 15.0-3-M (AS4777-2 2020)	N/A	N/A	11/0.433	200 kVA	Type A	As per AS4777 and SAPN EG standard applicable at time of connection	Type 4	Export
51	22/07/2025	Metro East	SSD103	CBD103B	0.08	0.00	0.08	0.08	Solar PV	4x 20 kVA Sungrow Power Supply Co Ltd SG20RT (AS4777-2 2020)	N/A	N/A	11/0.433	500 kVA	Type A	As per AS4777 and SAPN EG standard applicable at time of connection	Type 4	Export
52	16/07/2025	Mid North	SSD153	SD37301	0.20	0.00	0.20	0.20	Solar PV	2x 100 kVA Fronius Australia Pty Ltd Tauro Eco 100-3-P (AS4777-2 2020)	N/A	N/A	33/0.433	2000 kVA	Type C	As per AS4777 and SAPN EG standard	Type 4	Export

No.	Connection Date	Region	Substations	Feeder ID	Inverter Installed Capacity (MVA)	Rotating Installed Capacity (MVA)	Total Installed Capacity (MVA)	Allowable Export (MW)	Generation Fuel	Generating Unit Make & Model	Fault Contributions		Transformer Info		Protection and communication systems	Voltage control and reactive power capability	Single Line Diagram of the Connection Arrangement	Export Details
											At Connection Point	Ph-Ground	Voltage (kV)	Rating				
																applicable at time of connection		
53	16/07/2025	Mid North	SSD153	SD37301	1.00	0.00	1.00	0.20	Solar PV	10x 100 kVA Fronius Australia Pty Ltd Tauro Eco 100-3-P (AS4777-2 2020)	N/A	N/A	33/0.433	1000 kVA	Type C	As per AS4777 and SAPN EG standard applicable at time of connection	Type 4	Export
54	15/07/2025	Metro West	SSD829	AP829A	0.11	0.00	0.11	0.11	Solar PV	1x 110 kVA Sungrow Power Supply Co Ltd SG110CX-P2 (AS4777-2 2020)	N/A	N/A	11/0.433	750 kVA	Type A	As per AS4777 and SAPN EG standard applicable at time of connection	Type 4	Export
55	15/07/2025	Metro South	SSD350	SM350G	0.04	0.00	0.04	0.02	Solar PV + Storage	4x 5 kVA Tesla Motors Australia Pty Ltd AC Powerwall (AS4777-2 2020), 1x 8 kVA SolarEdge Technologies Ltd SE8K	N/A	N/A	11/0.433	315 kVA	Type A	As per AS4777 and SAPN EG standard applicable at time of connection	Type 4	Export
56	15/07/2025	Metro West	SSD829	AP829A	0.05	0.00	0.05	0.05	Solar PV	1x 50 kVA Sungrow Power Supply Co Ltd SG50CX (AS4777-2 2020)	N/A	N/A	11/0.433	1500 kVA	Type A	As per AS4777 and SAPN EG standard applicable at time of connection	Type 4	Export
57	10/07/2025	Metro East	SSD429	HH429D	0.33	0.00	0.33	0.20	Solar PV	3x 110 kVA Sungrow Power Supply Co Ltd SG110CX (AS4777-2 2020)	N/A	N/A	11/0.433	2000 kVA	Type C	As per AS4777 and SAPN EG standard applicable at time of connection	Type 4	Export
58	9/07/2025	Metro West	SSD355	AP355A	0.08	0.00	0.08	0.08	Solar PV + Storage	1x 50 kVA Fronius Australia Pty Ltd Tauro Eco 50-3-D (AS4777-2 2020), 1x 20 kVA Fronius Australia Pty Ltd Symo Advanced 20.0-3-M (AS4777-2 2020), 1x 10 kVA Fronius Australia Pty Ltd Symo GEN24 10.0 Plus (AS4777-2 2020)	N/A	N/A	11/0.433	500 kVA	Type A	As per AS4777 and SAPN EG standard applicable at time of connection	Type 4	Export
59	9/07/2025	Metro South	SSD451	NL451C	0.03	0.00	0.03	0.02	Solar PV + Storage	1x 15 kVA Shanghai SIGEN New Energy Technology Co Ltd SigenStor EC 15.0 TP AU (AS4777-2 2020), 39x 0.29 kVA Enphase Energy New Zealand Limited IQ7PLUS-72-2-INT, 1x 5 kVA Tesla Motors Australia Pty Ltd AC Powerwall	N/A	N/A	11/0.433	150 kVA	Type A	As per AS4777 and SAPN EG standard applicable at time of connection	Type 4	Export
60	9/07/2025	Metro South	SSD521	MV16	0.25	0.00	0.25	0.15	Storage	1x 250 kVA Shenzhen Sinexcel Electric Co Ltd PWS1-500KTL-EX-4M8 (AS4777-2 2020)	N/A	N/A	11/0.433	2000 kVA	Type B	As per AS4777 and SAPN EG standard applicable at time of connection	Type 4	Export
61	4/07/2025	Metro East	SSD386	HH386E	0.05	0.00	0.05	0.02	Solar PV + Storage	1x 17.5 kVA Fronius International GmbH Symo 17.5-3-M, 3x 5 kVA Tesla Inc AC Powerwall (AS4777-2 2020), 1x 12.5 kVA Fronius Australia Pty Ltd Symo 12.5-3-M (AS4777-2 2020)	N/A	N/A	11/0.433	150 kVA	Type A	As per AS4777 and SAPN EG standard applicable at time of connection	Type 4	Export
62	1/07/2025	Metro East	SSD403	HH403A	0.10	0.00	0.10	0.10	Solar PV	1x 99.99 kVA GoodWe Technologies Co Ltd GW100K-HT (AS4777-2 2020)	N/A	N/A	11/0.433	750 kVA	Type A	As per AS4777 and SAPN EG standard applicable at time of connection	Type 4	Export
63	30/06/2025	Metro North	SSD184	EL19	0.19	0.00	0.19	0.19	Solar PV + Storage	2x 29.99 kVA Fronius Australia Pty Ltd Verto 30.0 (AS4777-2 2020), 1x 110 kVA Delta Electronics Inc PCS100HV (AS4777-2 2020), 1x 25 kVA Fronius Australia Pty Ltd Verto 25.0 (AS4777-2 2020)	N/A	N/A	11/0.433	500 kVA	Type A	As per AS4777 and SAPN EG standard applicable at time of connection	Type 4	Export
64	27/06/2025	Metro West	SSD139	AP139B	0.10	0.00	0.10	0.10	Solar PV	2x 50 kVA Sungrow Power Supply Co Ltd SG50CX-P2 (AS4777-2 2020)	N/A	N/A	11/0.433	1000 kVA	Type A	As per AS4777 and SAPN EG standard applicable at time of connection	Type 4	Export

No.	Connection Date	Region	Substations	Feeder ID	Inverter Installed Capacity (MVA)	Rotating Installed Capacity (MVA)	Total Installed Capacity (MVA)	Allowable Export (MW)	Generation Fuel	Generating Unit Make & Model	Fault Contributions		Transformer Info		Protection and communication systems	Voltage control and reactive power capability	Single Line Diagram of the Connection Arrangement	Export Details
											At Connection Point	Ph-Ground	Voltage (kV)	Rating				
65	24/06/2025	Metro South	SSD172	SM172C	0.05	0.00	0.05	0.05	Solar PV + Storage	2x 25 kVA Sungrow Power Supply Co Ltd SH25T (AS4777-2 2020)	N/A	N/A	11/0.433	315 kVA	Type A	As per AS4777 and SAPN EG standard applicable at time of connection	Type 4	Export
66	24/06/2025	Metro West	SSD427	ME427F	0.08	0.00	0.08	0.08	Solar PV	3x 27 kVA Fronius Australia Pty Ltd Verto 27.0 (AS4777-2 2020)	N/A	N/A	11/0.433	750 kVA	Type A	As per AS4777 and SAPN EG standard applicable at time of connection	Type 4	Export
67	24/06/2025	Metro South	SSD210	NL210C	0.42	0.00	0.42	0.20	Solar PV + Storage	13x 5 kVA Fronius Australia Pty Ltd Primo 5.0-1 (AS4777-2 2020), 27x 5 kVA Fronius Australia Pty Ltd Primo GEN24 5.0 (AS4777-2 2020), 2x 110 kVA SUNGROW POWER SUPPLY CO LTD SC110CX (AS4777-2 2020)	N/A	N/A	11/0.433	1000 kVA	Type C	As per AS4777 and SAPN EG standard applicable at time of connection	Type 4	Export
68	24/06/2025	Metro South	SSD210	NL210C	0.16	0.00	0.16	0.16	Solar PV + Storage	1x 50 kVA Fronius Australia Pty Ltd Tauro 50-3-D (AS4777-2 2020), 1x 110 kVA SUNGROW POWER SUPPLY CO LTD SC110CX (AS4777-2 2020)	N/A	N/A	11/0.433	1000 kVA	Type A	As per AS4777 and SAPN EG standard applicable at time of connection	Type 4	Export
69	18/06/2025	Metro South	SSD350	SM350B	0.42	0.00	0.42	0.42	Solar PV + Storage	2x 110 kVA SUNGROW POWER SUPPLY CO LTD SC110CX (AS4777-2 2020), 1x 49.9 kVA KACO new energy GmbH 60.0 TL3	N/A	N/A	11/0.433	2000 kVA	Type C	As per AS4777 and SAPN EG standard applicable at time of connection	Type 4	Export
70	11/06/2025	Metro West	SSD372	AP372A	0.07	0.00	0.07	0.00	Solar PV + Storage	1x 20 kVA Sungrow Power Supply Co Ltd SG20RT (AS4777-2 2020), 1x 20 kVA Sungrow Power Supply Co Ltd SH20T (AS4777-2 2020), 1x 29.9 kVA Sungrow Power Supply Co Ltd SG30CX (AS4777-2 2020)	N/A	N/A	11/0.433	200 kVA	Type A	As per AS4777 and SAPN EG standard applicable at time of connection	Type 4	Export
71	10/06/2025	Metro West	SSD132	AP132C	0.09	0.00	0.09	0.09	Solar PV	3x 29.9 kVA Sungrow Power Supply Co Ltd SG30CX (AS4777-2 2020)	N/A	N/A	11/0.433	750 kVA	Type A	As per AS4777 and SAPN EG standard applicable at time of connection	Type 4	Export
72	10/06/2025	Metro West	SSD344	AP344E	0.08	0.00	0.08	0.08	Solar PV + Storage	1x 25 kVA Sungrow Power Supply Co Ltd SH25T (AS4777-2 2020)	N/A	N/A	11/0.433	500 kVA	Type A	As per AS4777 and SAPN EG standard applicable at time of connection	Type 4	Export
73	6/06/2025	Metro West	SSD425	AP425A	0.03	0.00	0.03	0.02	Solar PV + Storage	1x 29.9 kVA Huawei Technologies Co Ltd SUN2000-29.9KTL, 1x 5 kVA Alpha ESS Co Ltd SMILE-G3-B5-INV (AS4777-2 2020)	N/A	N/A	11/0.433	315 kVA	Type A	As per AS4777 and SAPN EG standard applicable at time of connection	Type 4	Export
74	3/06/2025	Barossa	SSD788	NU13	0.05	0.00	0.05	0.05	Solar PV	1x 50 kVA Sungrow Power Supply Co Ltd SG50CX (AS4777-2 2020)	N/A	N/A	11/0.433	2000 kVA	Type A	As per AS4777 and SAPN EG standard applicable at time of connection	Type 4	Export
75	28/05/2025	Metro East	SSD428	HH428D	0.11	0.00	0.11	0.11	Solar PV	1x 110 kVA Sungrow Power Supply Co Ltd SG110CX (AS4777-2 2020)	N/A	N/A	11/0.433	500 kVA	Type A	As per AS4777 and SAPN EG standard applicable at time of connection	Type 4	Export
76	21/05/2025	Metro East	SSD386	HH386G	0.07	0.00	0.07	0.02	Solar PV + Storage	1x 15 kVA Fronius Australia Pty Ltd Symo Advanced 15.0-3-M (AS4777-2 2020), 1x 25 kVA Fronius Australia 25.0-3-S, 1x 20 kVA Fronius Australia Pty Ltd Symo 20.0-3-M (AS4777-2 2020), 1x 5 kVA Tesla Inc AC Powerwall (AS4777-2 2020)	N/A	N/A	11/0.433	300 kVA	Type A	As per AS4777 and SAPN EG standard applicable at time of connection	Type 4	Export
77	14/05/2025	Metro South	SSD126	SM126B	0.04	0.00	0.04	0.00	Solar PV + Storage	1x 10 kVA (ABB) Power-One Italy S.p.A PVI-10.0-OUTD-AU, 2x 15 kVA Sungrow Power Supply Co Ltd SH15T (AS4777-2 2020)	N/A	N/A	11/0.433	200 kVA	Type A	As per AS4777 and SAPN EG standard applicable at time of connection	Type 4	Non Export

No.	Connection Date	Region	Substations	Feeder ID	Inverter Installed Capacity (MVA)	Rotating Installed Capacity (MVA)	Total Installed Capacity (MVA)	Allowable Export (MW)	Generation Fuel	Generating Unit Make & Model	Fault Contributions		Transformer Info		Protection and communication systems	Voltage control and reactive power capability	Single Line Diagram of the Connection Arrangement	Export Details
											At Connection Point	Ph-Ground	Voltage (kV)	Rating				
78	14/05/2025	Metro North	SSD104	EL21	1.21	0.00	1.21	0.15	Solar PV	10x 121 kVA GoodWe Technologies Co Ltd GW110K-HT (AS4777-2 2020)	N/A	N/A	11/0.433	1000 kVA	Type B	As per AS4777 and SAPN EG standard applicable at time of connection	Type 4	Export
79	14/05/2025	Metro North	SSD104	EL21	0.73	0.00	0.73	0.66	Solar PV	6x 121 kVA GoodWe Technologies Co Ltd GW110K-HT (AS4777-2 2020)	N/A	N/A	11/0.433	1000 kVA	Type C	As per AS4777 and SAPN EG standard applicable at time of connection	Type 4	Export
80	12/05/2025	Metro East	SSD409	HH409E	0.08	0.00	0.08	0.08	Solar PV	3x 27 kVA Fronius Australia Pty Ltd Verto 27.0 (AS4777-2 2020)	N/A	N/A	11/0.433	750 kVA	Type A	As per AS4777 and SAPN EG standard applicable at time of connection	Type 4	Export
81	8/05/2025	Eyre Peninsula	SSD217	WHY09	0.53	0.00	0.53	0.03	Solar PV	2x 100 kVA SolarEdge Technologies Ltd SE100K (AS4777-2 2020), 3x 110 kVA Sungrow Power Supply Co Ltd SG110CX (AS4777-2 2020)	N/A	N/A	11/0.433	1000 kVA	Type B	As per AS4777 and SAPN EG standard applicable at time of connection	Type 4	Export
82	7/05/2025	Murraylands	SSD301	MB91	1.90	0.00	1.90	3.89	Solar PV	8x 50 kVA SMA Australia Pty Ltd STP 50-40, 10x 50 kVA SMA Australia Pty Ltd STP 50-40	N/A	N/A	11		Type C	As per AS4777 and SAPN EG standard applicable at time of connection	Type 2	Export
83	6/05/2025	Eastern Hills	SSD777	MTB13	0.14	0.00	0.14	0.14	Solar PV + Storage	1x 29.9 kVA Sungrow Power Supply Co Ltd SG30CX (AS4777-2 2020), 1x 110 kVA SUNGROW POWER SUPPLY CO LTD SC110CX (AS4777-2 2020)	N/A	N/A	11/0.433	1500 kVA	Type A	As per AS4777 and SAPN EG standard applicable at time of connection	Type 4	Export
84	1/05/2025	CBD	SSD353	CBD27A	0.19	0.00	0.19	0.19	Solar PV	1x 29.9 kVA Sungrow Power Supply Co Ltd SG30CX (AS4777-2 2020), 1x 50 kVA Sungrow Power Supply Co Ltd SG50CX (AS4777-2 2020), 1x 110 kVA Sungrow Power Supply Co Ltd SG110CX (AS4777-2 2020)	N/A	N/A	33/0.433	2000 kVA	Type A	As per AS4777 and SAPN EG standard applicable at time of connection	Type 5	Export
85	29/04/2025	Eastern Hills	SSD777	MTB13	0.08	0.00	0.08	0.08	Solar PV	1x 15 kVA SMA Australia Pty Ltd STP15000TL-30, 1x 50 kVA Sungrow Power Supply Co Ltd SG50CX (AS4777-2 2020)	N/A	N/A	11/0.433	300 kVA	Type A	As per AS4777 and SAPN EG standard applicable at time of connection	Type 4	Export
86	23/04/2025	Riverland	SSD420	BM56	0.04	0.00	0.04	0.02	Solar PV + Storage	1x 15 kVA Fronius International GmbH Symo 15.0-3-M, 1x 5 kVA Tesla Motors Australia Pty Ltd AC Powerwall	N/A	N/A	11/0.433	63 kVA	Type A	As per AS4777 and SAPN EG standard applicable at time of connection	Type 4	Export
87	23/04/2025	Metro South	SSD374	SM374A	0.10	0.00	0.10	0.10	Solar PV	1x 100 kVA Fronius Australia Pty Ltd Tauro Eco 100-3-D (AS4777-2 2020)	N/A	N/A	11/0.433	750 kVA	Type A	As per AS4777 and SAPN EG standard applicable at time of connection	Type 4	Export
88	17/04/2025	Metro West	SSD829	AP829B	0.09	0.00	0.09	0.09	Solar PV	1x 20 kVA Fronius International GmbH 20.0-3-M, 1x 29.9 kVA Sungrow Power Supply Co Ltd SG30CX (AS4777-2 2020)	N/A	N/A	11/0.433	500 kVA	Type A	As per AS4777 and SAPN EG standard applicable at time of connection	Type 4	Export
89	11/04/2025	Riverland	SSD420	BM51	0.07	0.00	0.07	0.07	Solar PV + Storage	1x 25 kVA Sungrow Power Supply Co Ltd SH25T (AS4777-2 2020), 1x 20 kVA Sungrow Power Supply Co Ltd SG20RT (AS4777-2 2020)	N/A	N/A	11/0.433	150 kVA	Type A	As per AS4777 and SAPN EG standard applicable at time of connection	Type 4	Export
90	10/04/2025	Metro West	SSD146	AP146A	0.08	0.00	0.08	0.08	Solar PV	3x 25 kVA GoodWe Technologies Co Ltd GW25K-ET (AS4777-2 2020)	N/A	N/A	11/0.433	500 kVA	Type A	As per AS4777 and SAPN EG standard applicable at time of connection	Type 4	Export
91	8/04/2025	South East	SSD197	MG22	0.08	0.00	0.08	0.07	Solar PV	1x 29.9 kVA Sungrow Power Supply Co Ltd SG30CX (AS4777-2 2020), 1x 50 kVA Sungrow Power Supply Co Ltd SG50CX (AS4777-2 2020)	N/A	N/A	11/0.433	300 kVA	Type A	As per AS4777 and SAPN EG standard applicable at time of connection	Type 4	Export

No.	Connection Date	Region	Substations	Feeder ID	Inverter Installed Capacity (MVA)	Rotating Installed Capacity (MVA)	Total Installed Capacity (MVA)	Allowable Export (MW)	Generation Fuel	Generating Unit Make & Model	Fault Contributions		Transformer Info		Protection and communication systems	Voltage control and reactive power capability	Single Line Diagram of the Connection Arrangement	Export Details
											At Connection Point	Ph-Ground	Voltage (kV)	Rating				
92	8/04/2025	Upper North	SSD396	SD32301	3.30	0.00	3.30	2.64	Solar PV	12x 110 kVA SUNGROW AUSTRALIA GROUP PTY LTD SC110CX, 18x 110 kVA Sungrow Power Supply Co Ltd SG110CX (AS4777-2 2020)	N/A	N/A	33		Type C	As per AS4777 and SAPN EG standard applicable at time of connection	Type 2	Export
93	8/04/2025	Metro West	SSD125	AP125E	0.66	0.00	0.66	0.00	Solar PV	6x 110 kVA Sungrow Power Supply Co Ltd SG110CX (AS4777-2 2020)	N/A	N/A	11		Type B	As per AS4777 and SAPN EG standard applicable at time of connection	Type 2	Non Export
94	4/04/2025	Metro West	SSD427	ME427D	0.04	0.00	0.04	0.02	Solar PV + Storage	1x 10 kVA Fronius Australia Pty Ltd Symo GEN24 10.0 Plus (AS4777-2 2020), 2x 15 kVA Fronius Australia Pty Ltd Symo 15.0-3-M (AS4777-2 2020)	N/A	N/A	11/0.433	315 kVA	Type A	As per AS4777 and SAPN EG standard applicable at time of connection	Type 4	Export
95	31/03/2025	Metro South	SSD231	ME231B	0.11	0.00	0.11	0.11	Solar PV	1x 110 kVA Sungrow Power Supply Co Ltd SG110CX (AS4777-2 2020)	N/A	N/A	11/0.433	500 kVA	Type A	As per AS4777 and SAPN EG standard applicable at time of connection	Type 4	Export
96	28/03/2025	Metro North	SSD800	GA800A	0.04	0.00	0.04	0.24	Solar PV + Storage	2x 5.8 kVA Tesla Motors Australia Pty Ltd Powerwall 2, 1x 15 kVA Fronius International GmbH Symo 15.0-3-M	N/A	N/A	11/0.433	750 kVA	Type A	As per AS4777 and SAPN EG standard applicable at time of connection	Type 4	Export
97	27/03/2025	Metro North	SSD129	SA33	0.13	0.00	0.13	0.02	Solar PV	2x 15 kVA JIANGSU GOODWE POWER SUPPLY TECHNOLOGY CO LTD GW15KN-DT, 1x 99.99 kVA GoodWe Technologies Co Ltd GW100K-HT (AS4777-2 2020)	N/A	N/A	11/0.433	500 kVA	Type A	As per AS4777 and SAPN EG standard applicable at time of connection	Type 4	Export
98	26/03/2025	Metro South	SSD350	SM350E	0.05	0.00	0.05	0.05	Solar PV	1x 50 kVA SolarEdge Technologies Ltd SE50K (AS4777-2 2020)	N/A	N/A	11/0.433	200 kVA	Type A	As per AS4777 and SAPN EG standard applicable at time of connection	Type 4	Export
99	20/03/2025	Metro West	SSD149	AP149H	0.08	0.00	0.08	0.03	Solar PV + Storage	1x 20 kVA Fronius Australia Pty Ltd Symo Advanced 20.0-3-M (AS4777-2 2020), 1x 15 kVA Fronius Australia Pty Ltd Symo Advanced 15.0-3-M (AS4777-2 2020), 2x 15 kVA Fronius Australia Pty Ltd Symo 15.0-3-M (AS4777-2 2020), 1x 10 kVA Fronius Australia Pty Ltd Symo GEN24 10.0 Plus (AS4777-2 2020)	N/A	N/A	11/0.433	200 kVA	Type A	As per AS4777 and SAPN EG standard applicable at time of connection	Type 4	Export
100	19/03/2025	Metro West	SSD227	AP227D	0.05	0.00	0.05	0.05	Solar PV	1x 10 kVA Fronius International GmbH Symo 10.0-3-M, 1x 20 kVA Fronius Australia Pty Ltd Symo 20.0-3-M (AS4777-2 2020), 1x 20 kVA Fronius International GmbH Symo 20.0-3-M	N/A	N/A	11/0.433	300 kVA	Type A	As per AS4777 and SAPN EG standard applicable at time of connection	Type 4	Export
101	18/03/2025	Eyre Peninsula	SSD803	PL803C	0.07	0.00	0.07	0.07	Solar PV	1x 50 kVA Sungrow Power Supply Co Ltd SG50CX-P2 (AS4777-2 2020), 1x 17 kVA SolarEdge Technologies Ltd SE17K	N/A	N/A	11/0.433	750 kVA	Type A	As per AS4777 and SAPN EG standard applicable at time of connection	Type 4	Export
102	17/03/2025	Metro South	SSD179	SM179A	0.08	0.00	0.08	0.08	Solar PV	4x 20 kVA Fronius International GmbH 20.0-3-M	N/A	N/A	11/0.433	1000 kVA	Type A	As per AS4777 and SAPN EG standard applicable at time of connection	Type 4	Export
103	17/03/2025	Metro East	SSD145	HH145C	0.05	0.00	0.05	0.05	Solar PV	1x 50 kVA Fronius Australia Pty Ltd Tauro 50-3-D (AS4777-2 2020)	N/A	N/A	11/0.433	315 kVA	Type A	As per AS4777 and SAPN EG standard applicable at time of connection	Type 4	Export
104	14/03/2025	Metro South	SSD115	NL115B	0.06	0.00	0.06	0.06	Solar PV	1x 29.9 kVA Sungrow Power Supply Co Ltd SG30CX (AS4777-2 2020)	N/A	N/A	11/0.433	100 kVA	Type A	As per AS4777 and SAPN EG standard applicable at time of connection	Type 4	Export
105	13/03/2025	Metro North	SSD711	EL06H11	0.40	0.00	0.40	0.20	Solar PV	4x 100 kVA Fronius Australia Pty Ltd Tauro Eco 100-3-D (AS4777-2 2020)	N/A	N/A	11		Type C	As per AS4777 and SAPN EG standard	Type 2	Export

No.	Connection Date	Region	Substations	Feeder ID	Inverter Installed Capacity (MVA)	Rotating Installed Capacity (MVA)	Total Installed Capacity (MVA)	Allowable Export (MW)	Generation Fuel	Generating Unit Make & Model	Fault Contributions		Transformer Info		Protection and communication systems	Voltage control and reactive power capability	Single Line Diagram of the Connection Arrangement	Export Details
											At Connection Point	Ph-Ground	Voltage (kV)	Rating				
																applicable at time of connection		
106	13/03/2025	Metro North	SSD414	EL06H10	0.40	0.00	0.40	0.20	Solar PV	4x 100 kVA Fronius Australia Pty Ltd Tauro Eco 100-3-D (AS4777-2 2020)	N/A	N/A	11		Type C	As per AS4777 and SAPN EG standard applicable at time of connection	Type 2	Export
107	7/03/2025	Metro East	SSD496	HH496E	0.16	0.00	0.16	0.07	Solar PV	1x 110 kVA Sungrow Power Supply Co Ltd SG110CX (AS4777-2 2020), 1x 50 kVA Sungrow Power Supply Co Ltd SG50CX (AS4777-2 2020)	N/A	N/A	11/0.433	2000 kVA	Type A	As per AS4777 and SAPN EG standard applicable at time of connection	Type 4	Export
108	4/03/2025	Metro North	SSD260	EL260A	0.11	0.00	0.11	0.11	Solar PV	1x 110 kVA Sungrow Power Supply Co Ltd SG110CX (AS4777-2 2020)	N/A	N/A	11/0.433	300 kVA	Type A	As per AS4777 and SAPN EG standard applicable at time of connection	Type 4	Export
109	3/03/2025	Metro North	SSD422	EL22	0.08	0.00	0.08	0.08	Solar PV	1x 50 kVA Fronius Australia Pty Ltd Tauro 50-3-D (AS4777-2 2020), 2x 15 kVA Fronius Australia Pty Ltd Symo Advanced 15.0-3-M (AS4777-2 2020)	N/A	N/A	11/0.433	750 kVA	Type A	As per AS4777 and SAPN EG standard applicable at time of connection	Type 4	Export
110	3/03/2025	Metro North	SSD422	EL22	0.15	0.00	0.15	0.15	Solar PV	3x 50 kVA Fronius Australia Pty Ltd Tauro Eco 50-3-D (AS4777-2 2020)	N/A	N/A	11/0.433	1000 kVA	Type A	As per AS4777 and SAPN EG standard applicable at time of connection	Type 4	Export
111	27/02/2025	Metro West	SSD347	ME347F	0.05	0.00	0.05	0.05	Solar PV	1x 50 kVA Sungrow Power Supply Co Ltd SG50CX (AS4777-2 2020)	N/A	N/A	11/0.433	1500 kVA	Type A	As per AS4777 and SAPN EG standard applicable at time of connection	Type 4	Export
112	27/02/2025	Metro West	SSD347	ME347F	0.05	0.00	0.05	0.05	Solar PV	1x 50 kVA Sungrow Power Supply Co Ltd SG50CX (AS4777-2 2020)	N/A	N/A	11/0.433	1500 kVA	Type A	As per AS4777 and SAPN EG standard applicable at time of connection	Type 4	Export
113	26/02/2025	Metro West	SSD149	AP149F	0.07	0.00	0.07	0.02	Solar PV	1x 15 kVA SMA Australia Pty Ltd STP15000TL-30, 1x 50 kVA Sungrow Power Supply Co Ltd SG50CX (AS4777-2 2020)	N/A	N/A	11/0.433	315 kVA	Type A	As per AS4777 and SAPN EG standard applicable at time of connection	Type 4	Export
114	26/02/2025	South East	SSD157	NA12	0.11	0.00	0.11	0.11	Solar PV	1x 110 kVA Sungrow Power Supply Co Ltd SG110CX (AS4777-2 2020)	N/A	N/A	11/0.433	1000 kVA	Type A	As per AS4777 and SAPN EG standard applicable at time of connection	Type 4	Export
115	25/02/2025	South East	SSD782	MG11	0.11	0.00	0.11	0.00	Solar PV	1x 110 kVA Sungrow Power Supply Co Ltd SG110CX (AS4777-2 2020)	N/A	N/A	11/0.433	200 kVA	Type A	As per AS4777 and SAPN EG standard applicable at time of connection	Type 4	Non Export
116	25/02/2025	Eyre Peninsula	SSD133	WHY03	0.09	0.00	0.09	0.09	Solar PV + Storage	8x 9.999 kVA Fronius Australia Pty Ltd Primo GEN24 10.0 Plus (AS4777-2 2020), 1x 3 kVA Fronius Australia Primo 3.0-1, 1x 5 kVA Fronius Australia Primo 5.0-1	N/A	N/A	11/0.433	750 kVA	Type A	As per AS4777 and SAPN EG standard applicable at time of connection	Type 4	Export
117	25/02/2025	South East	SSD782	MG11	0.10	0.00	0.10	0.03	Solar PV	1x 100 kVA SolarEdge Technologies Ltd SE100K (AS4777-2 2020)	N/A	N/A	11/0.433	315 kVA	Type A	As per AS4777 and SAPN EG standard applicable at time of connection	Type 4	Export
118	21/02/2025	Metro North	SSD744	SA36	0.10	0.00	0.10	0.03	Solar PV	1x 100 kVA SolarEdge Technologies Ltd SE100K (AS4777-2 2020)	N/A	N/A	11/0.433	315 kVA	Type A	As per AS4777 and SAPN EG standard applicable at time of connection	Type 4	Export
119	18/02/2025	Metro West	SSD149	AP149C	0.10	0.00	0.10	0.10	Solar PV	4x 25 kVA Fronius Australia ECO 25.0-3-S	N/A	N/A	11/0.433	750 kVA	Type A	As per AS4777 and SAPN EG standard applicable at time of connection	Type 4	Export

No.	Connection Date	Region	Substations	Feeder ID	Inverter Installed Capacity (MVA)	Rotating Installed Capacity (MVA)	Total Installed Capacity (MVA)	Allowable Export (MW)	Generation Fuel	Generating Unit Make & Model	Fault Contributions		Transformer Info		Protection and communication systems	Voltage control and reactive power capability	Single Line Diagram of the Connection Arrangement	Export Details
											At Connection Point	Ph-Ground	Voltage (kV)	Rating				
120	12/02/2025	Metro West	SSD347	ME347H	1.87	0.00	1.87	0.00	Solar PV	1x 114 kVA Unknown Unknown, 16x 110 kVA Sungrow Power Supply Co Ltd SG110CX (AS4777-2 2020)	N/A	N/A	11		Type B	As per AS4777 and SAPN EG standard applicable at time of connection	Type 2	Non Export
121	11/02/2025	Metro East	SSD432	HH432A	0.06	0.00	0.06	0.06	Solar PV	2x 29.9 kVA Sungrow Power Supply Co Ltd SG30CX (AS4777-2 2020)	N/A	N/A	11/0.433	500 kVA	Type A	As per AS4777 and SAPN EG standard applicable at time of connection	Type 4	Export
122	6/02/2025	Metro North	SSD744	SA744G	0.15	0.00	0.15	0.15	Solar PV	1x 100 kVA Fronius Australia Pty Ltd Tauro Eco 100-3-D (AS4777-2 2020), 1x 50 kVA Fronius Australia Pty Ltd Tauro Eco 50-3-D (AS4777-2 2020)	N/A	N/A	11/0.433	1500 kVA	Type A	As per AS4777 and SAPN EG standard applicable at time of connection	Type 4	Export
123	4/02/2025	Metro North	SSD407	SA12	0.50	0.00	0.50	0.20	Solar PV	5x 100 kVA Fronius Australia Pty Ltd Tauro Eco 100-3-D (AS4777-2 2020)	N/A	N/A	11/0.433	2000 kVA	Type C	As per AS4777 and SAPN EG standard applicable at time of connection	Type 4	Export
124	3/02/2025	Metro West	SSD829	AP829A	0.77	1.11	1.88	0.00	Diesel Generator + Solar PV	7x 110 kVA Sungrow Power Supply Co Ltd SG110CX (AS4777-2 2020), 1x 1110 kVA Cummins C900 D6	10.07	10.22	11/0.433	2000 kVA	Type K	As per AS4777 and SAPN EG standard applicable at time of connection	Type 3	Non Export
125	28/01/2025	South East	SSD224	BT02	0.13	0.00	0.13	0.12	Solar PV + Storage	2x 50 kVA NingBo Deye Inverter Technology Co Ltd SUN-50K-SG01HP3-AU-BM4 (AS4777-2 2020), 1x 15 kVA GoodWe Technologies Co Ltd GW15KAU-DT (AS4777-2 2020)	N/A	N/A	11/0.433	200 kVA	Type A	As per AS4777 and SAPN EG standard applicable at time of connection	Type 4	Export
126	21/01/2025	CBD	SSD367	CBD367J	0.07	0.00	0.07	0.07	Solar PV	1x 10 kVA SMA Australia Pty Ltd STP10000TL-20, 1x 15 kVA SMA Australia Pty Ltd STP15000TL-30, 1x 10 kVA SMA Australia Pty Ltd STP10.0-3AV-40 (AS4777-2 2020)	N/A	N/A	11/0.433	2000 kVA	Type A	As per AS4777 and SAPN EG standard applicable at time of connection	Type 4	Export
127	16/01/2025	Mid North	SSD745	GA745B	0.19	0.00	0.19	0.05	Solar PV	1x 110 kVA Sungrow Power Supply Co Ltd SG110CX (AS4777-2 2020), 1x 50 kVA Sungrow Power Supply Co Ltd SG50CX (AS4777-2 2020), 1x 29.9 kVA Sungrow Power Supply Co Ltd SG30CX (AS4777-2 2020)	N/A	N/A	11/0.433	750 kVA	Type A	As per AS4777 and SAPN EG standard applicable at time of connection	Type 4	Export
128	15/01/2025	South East	SSD195	MG45	0.10	0.00	0.10	0.10	Solar PV	158x 0.23 kVA ENPHASE ENERGY AUSTRALIA PTY. LTD. S230-60-LN-2-AU, 42x 0.23 kVA ENPHASE ENERGY AUSTRALIA PTY. LTD. S230-60-LN-2-AU, 1x 25 kVA SMA Solar Technology AG STP 25000TL-30, 2x 15 kVA Sungrow Power Supply Co Ltd SG15RT	N/A	N/A	11/0.433	750 kVA	Type A	As per AS4777 and SAPN EG standard applicable at time of connection	Type 4	Export
129	14/01/2025	Metro East	SSD121	HH121A	0.19	0.00	0.19	0.19	Solar PV	1x 110 kVA Sungrow Power Supply Co Ltd SG110CX (AS4777-2 2020), 1x 20 kVA Fronius International GmbH Symo 20.0-3-M	N/A	N/A	11/0.433	1000 kVA	Type A	As per AS4777 and SAPN EG standard applicable at time of connection	Type 4	Export
130	14/01/2025	Metro South	SSD111	NL111D	0.14	0.00	0.14	0.14	Solar PV	1x 5 kVA SMA AUSTRALIA PTY LTD SB5.0-1AV-41, 1x 5 kVA GoodWe Technologies Co Ltd GW5000-MS (AS4777-2 2020), 1x 50 kVA Sungrow Power Supply Co Ltd SG50CX (AS4777-2 2020), 1x 29.9 kVA Sungrow Power Supply Co Ltd SG30CX (AS4777-2 2020), 1x 50 kVA Sungrow Power Supply Co Ltd SG50CX-P2 (AS4777-2 2020)	N/A	N/A	11/0.433	1500 kVA	Type A	As per AS4777 and SAPN EG standard applicable at time of connection	Type 4	Export
131	10/01/2025	Murraylands	SSD303	MB62	0.10	0.00	0.10	0.03	Solar PV	1x 100 kVA Fronius Australia Pty Ltd Tauro Eco 100-3-D (AS4777-2 2020)	N/A	N/A	11/0.433	1000 kVA	Type A	As per AS4777 and SAPN EG standard applicable at time of connection	Type 4	Export

No.	Connection Date	Region	Substations	Feeder ID	Inverter Installed Capacity (MVA)	Rotating Installed Capacity (MVA)	Total Installed Capacity (MVA)	Allowable Export (MW)	Generation Fuel	Generating Unit Make & Model	Fault Contributions		Transformer Info		Protection and communication systems	Voltage control and reactive power capability	Single Line Diagram of the Connection Arrangement	Export Details
											At Connection Point	Ph-Ground	Voltage (kV)	Rating				
132	8/01/2025	Metro East	SSD432	HH432F	0.19	0.00	0.19	0.19	Solar PV	1x 20 kVA Fronius International GmbH Symo 20.0-3-M, 1x 110 kVA Sungrow Power Supply Co Ltd SG110CX (AS4777-2 2020)	N/A	N/A	11/0.433	500 kVA	Type A	As per AS4777 and SAPN EG standard applicable at time of connection	Type 4	Export
133	24/12/2024	Metro East	SSD130	HH130F	0.11	0.00	0.11	0.11	Solar PV	1x 110 kVA Sungrow Power Supply Co Ltd SG110CX (AS4777-2 2020)	N/A	N/A	11/0.433	750 kVA	Type A	As per AS4777 and SAPN EG standard applicable at time of connection	Type 4	Export
134	19/12/2024	Metro South	SSD511	NL511A	0.22	0.00	0.22	0.20	Solar PV	1x 110 kVA Sungrow Power Supply Co Ltd SG110CX (AS4777-2 2020)	N/A	N/A	11/0.433	750 kVA	Type B	As per AS4777 and SAPN EG standard applicable at time of connection	Type 4	Export
135	19/12/2024	Eyre Peninsula	SSD803	PL803C	0.10	0.00	0.10	0.10	Solar PV	1x 100 kVA Fronius Australia Pty Ltd Tauro Eco 100-3-D (AS4777-2 2020)	N/A	N/A	11/0.433	500 kVA	Type A	As per AS4777 and SAPN EG standard applicable at time of connection	Type 4	Export
136	17/12/2024	Metro South	SSD126	SM126D	0.19	0.00	0.19	0.19	Solar PV	1x 50 kVA Sungrow Power Supply Co Ltd SG50CX (AS4777-2 2020), 1x 29.9 kVA Sungrow Power Supply Co Ltd SG30CX (AS4777-2 2020), 1x 110 kVA Sungrow Power Supply Co Ltd SG110CX (AS4777-2 2020)	N/A	N/A	11/0.433	500 kVA	Type A	As per AS4777 and SAPN EG standard applicable at time of connection	Type 4	Export
137	16/12/2024	Yorke Peninsula	SSD385	YK22	0.05	0.00	0.05	0.02	Solar PV	1x 10 kVA Fronius Australia Pty Ltd Symo 10.0-3-M (AS4777-2 2020), 2x 20 kVA Fronius International GmbH 20.0-3-M	N/A	N/A	11/0.433	150 kVA	Type A	As per AS4777 and SAPN EG standard applicable at time of connection	Type 4	Export
138	12/12/2024	Metro North	SSD184	EL19	0.11	0.00	0.11	0.02	Solar PV	1x 110 kVA Sungrow Power Supply Co Ltd SG110CX (AS4777-2 2020)	N/A	N/A	11/0.433	200 kVA	Type A	As per AS4777 and SAPN EG standard applicable at time of connection	Type 4	Export
139	5/12/2024	Metro North	SSD744	SA744G	0.56	0.00	0.56	0.16	Solar PV	6x 27 kVA Fronius Australia 27.0-3-S, 4x 100 kVA Fronius Australia Pty Ltd Tauro Eco 100-3-D (AS4777-2 2020)	N/A	N/A	11/0.433	2000 kVA	Type B	As per AS4777 and SAPN EG standard applicable at time of connection	Type 4	Export
140	4/12/2024	Southern Rural	SSD413	MV53	0.08	0.00	0.08	0.10	Solar PV + Storage	1x 55 kVA Huawei Technologies Co Ltd SUN2000-50KTL-M0, 2x 10 kVA GoodWe Technologies Co Ltd GW10KL-ET (AS4777-2 2020)	N/A	N/A	11/0.433	200 kVA	Type A	As per AS4777 and SAPN EG standard applicable at time of connection	Type 4	Export
141	29/11/2024	Metro South	SSD115	NL115D	0.10	0.00	0.10	0.11	Solar PV	2x 50 kVA Sungrow Power Supply Co Ltd SG50CX (AS4777-2 2020)	N/A	N/A	11/0.433	300 kVA	Type A	As per AS4777 and SAPN EG standard applicable at time of connection	Type 4	Export
142	26/11/2024	Murraylands	SSD151	MB17	0.08	0.00	0.08	0.08	Solar PV	1x 82.8 kVA SolarEdge Technologies Ltd SE82.8K (AS4777-2 2020)	N/A	N/A	11/0.433	750 kVA	Type A	As per AS4777 and SAPN EG standard applicable at time of connection	Type 4	Export
143	24/11/2024	Metro East	SSD177	HH177A	0.23	0.00	0.23	0.08	Solar PV	1x 27 kVA Fronius Australia ECO 27.0-3-S, 1x 50 kVA Sungrow Power Supply Co Ltd SG50CX (AS4777-2 2020)	N/A	N/A	11/0.433	1000 kVA	Type B	As per AS4777 and SAPN EG standard applicable at time of connection	Type 4	Export
144	24/11/2024	Metro South	SSD116	ME116C	0.05	0.00	0.05	0.03	Solar PV	1x 25 kVA SolarEdge Technologies Ltd SE25K (AS4777-2 2020)	N/A	N/A	11/0.433	300 kVA	Type A	As per AS4777 and SAPN EG standard applicable at time of connection	Type 4	Export
145	21/11/2024	Metro South	SSD172	SM172F	0.10	0.00	0.10	0.10	Solar PV	2x 50 kVA Fronius Australia Pty Ltd Tauro 50-3-D (AS4777-2 2020)	N/A	N/A	11/0.433	1000 kVA	Type A	As per AS4777 and SAPN EG standard applicable at time of connection	Type 4	Export

No.	Connection Date	Region	Substations	Feeder ID	Inverter Installed Capacity (MVA)	Rotating Installed Capacity (MVA)	Total Installed Capacity (MVA)	Allowable Export (MW)	Generation Fuel	Generating Unit Make & Model	Fault Contributions		Transformer Info		Protection and communication systems	Voltage control and reactive power capability	Single Line Diagram of the Connection Arrangement	Export Details
											At Connection Point	Ph-Ground	Voltage (kV)	Rating				
146	20/11/2024	Eastern Hills	SSD248	ST35	0.07	0.00	0.07	0.03	Solar PV + Storage	3x 20 kVA Fronius Australia Pty Ltd Symo Advanced 20.0-3-M (AS4777-2 2020), 1x 10 kVA Fronius Australia Pty Ltd Symo GEN24 10.0 Plus (AS4777-2 2020)	N/A	N/A	11/0.433	100 kVA	Type A	As per AS4777 and SAPN EG standard applicable at time of connection	Type 4	Export
147	14/11/2024	Metro South	SSD410	SM410C	0.10	0.00	0.10	0.10	Solar PV	2x 50 kVA Fronius Australia Pty Ltd Tauro Eco 50-3-D (AS4777-2 2020)	N/A	N/A	11/0.433	750 kVA	Type A	As per AS4777 and SAPN EG standard applicable at time of connection	Type 4	Export
148	13/11/2024	Metro West	SSD520	SA520G	0.11	0.00	0.11	0.11	Solar PV	1x 110 kVA Sungrow Power Supply Co Ltd SG110CX (AS4777-2 2020)	N/A	N/A	11/0.433	750 kVA	Type A	As per AS4777 and SAPN EG standard applicable at time of connection	Type 4	Export
149	12/11/2024	Metro North	SSD104	EL14	0.04	0.00	0.04	0.03	Solar PV	1x 29.9 kVA Sungrow Power Supply Co Ltd SG30CX-P2 (AS4777-2 2020), 1x 10 kVA Huawei Technologies Co Ltd SUN2000-10kTL-M0	N/A	N/A	11/0.433	300 kVA	Type A	As per AS4777 and SAPN EG standard applicable at time of connection	Type 4	Export
150	7/11/2024	Metro East	SSD130	HH130F	0.11	0.00	0.11	0.11	Solar PV	1x 110 kVA Sungrow Power Supply Co Ltd SG110CX (AS4777-2 2020)	N/A	N/A	11/0.433	200 kVA	Type A	As per AS4777 and SAPN EG standard applicable at time of connection	Type 4	Export
151	5/11/2024	Metro South	SSD115	NL115D	0.07	0.00	0.07	0.03	Solar PV	1x 10 kVA Schneider Electric (Australia) Pty Ltd Conext TL 10000, 2x 20 kVA GoodWe Technologies Co Ltd GW20KAU-DT (AS4777-2 2020), 1x 4.95 kVA Jiangsu GoodWe Power Supply Technology Co Ltd GW5000D-NS	N/A	N/A	11/0.433	150 kVA	Type A	As per AS4777 and SAPN EG standard applicable at time of connection	Type 4	Export
152	5/11/2024	Metro South	SSD200	ME200C	0.05	0.00	0.05	0.05	Solar PV	1x 50 kVA Sungrow Power Supply Co Ltd SG50CX (AS4777-2 2020)	N/A	N/A	11/0.433	1500 kVA	Type A	As per AS4777 and SAPN EG standard applicable at time of connection	Type 4	Export
153	4/11/2024	Riverland	SSD235	LX44	2.49	0.00	2.49	2.77	Storage	1x 2494.2 kVA Ingecon Sun Storage 3660TL C450	N/A	N/A	11		Type C	As per AS4777 and SAPN EG standard applicable at time of connection	Type 2	Export
154	31/10/2024	Eastern Hills	SSD248	ST34	0.06	0.00	0.06	0.06	Solar PV	2x 15 kVA Fronius Australia Pty Ltd Symo 15.0-3-M (AS4777-2 2020), 1x 25 kVA SMA Solar Technology AG STP 2500TL-30	N/A	N/A	11/0.433	150 kVA	Type A	As per AS4777 and SAPN EG standard applicable at time of connection	Type 4	Export
155	29/10/2024	CBD	SSD367	CBD367B	0.08	0.00	0.08	0.08	Solar PV	1x 82.8 kVA SolarEdge Technologies Ltd SE82.8K (AS4777-2 2020)	N/A	N/A	11/0.433	1000 kVA	Type A	As per AS4777 and SAPN EG standard applicable at time of connection	Type 4	Export
156	28/10/2024	Metro South	SSD172	SM172B	0.15	0.00	0.15	0.15	Storage	30x 5 kVA Tesla Inc AC Powerwall (AS4777-2 2020)	N/A	N/A	11/0.433	315 kVA	Type A	As per AS4777 and SAPN EG standard applicable at time of connection	Type 4	Export
157	24/10/2024	Metro South	SSD402	SM402D	0.05	0.00	0.05	0.05	Solar PV + Storage	1x 25 kVA SolarEdge Technologies Ltd SE25K, 1x 5 kVA Tesla Motors Australia Pty Ltd AC Powerwall (AS4777-2 2020), 1x 15 kVA Sungrow Power Supply Co Ltd SG15RT (AS4777-2 2020)	N/A	N/A	11/0.433	1000 kVA	Type A	As per AS4777 and SAPN EG standard applicable at time of connection	Type 4	Export
158	24/10/2024	Metro South	SSD179	SM179B	0.19	0.00	0.19	0.20	Solar PV + Storage	1x 110 kVA Delta Electronics Inc PCS100HV (AS4777-2 2020), 1x 30 kVA SolarEdge Technologies Ltd SE30K (AS4777-2 2020), 1x 25 kVA SolarEdge Technologies Ltd SE25K, 1x 29.9 kVA Sungrow Power Supply Co Ltd SG30CX (AS4777-2 2020)	N/A	N/A	11/0.433	500 kVA	Type A	As per AS4777 and SAPN EG standard applicable at time of connection	Type 4	Export

No.	Connection Date	Region	Substations	Feeder ID	Inverter Installed Capacity (MVA)	Rotating Installed Capacity (MVA)	Total Installed Capacity (MVA)	Allowable Export (MW)	Generation Fuel	Generating Unit Make & Model	Fault Contributions		Transformer Info		Protection and communication systems	Voltage control and reactive power capability	Single Line Diagram of the Connection Arrangement	Export Details
											At Connection Point	Ph-Ground	Voltage (kV)	Rating				
159	24/10/2024	Metro South	SSD126	SM126B	0.17	0.00	0.17	0.16	Solar PV + Storage	1x 110 kVA Delta Electronics Inc PCS100HV (AS4777-2 2020), 2x 29.9 kVA Sungrow Power Supply Co Ltd SG30CX (AS4777-2 2020)	N/A	N/A	11/0.433	500 kVA	Type A	As per AS4777 and SAPN EG standard applicable at time of connection	Type 4	Export
160	23/10/2024	Metro West	SSD347	ME347A	0.25	0.00	0.25	0.20	Solar PV	1x 29.9 kVA Sungrow Power Supply Co Ltd SG30CX (AS4777-2 2020), 2x 110 kVA Sungrow Power Supply Co Ltd SG110CX (AS4777-2 2020)	N/A	N/A	11/0.433	1000 kVA	Type C	As per AS4777 and SAPN EG standard applicable at time of connection	Type 4	Export
161	21/10/2024	CBD	SSD412	CBD412H	0.05	0.00	0.05	0.05	Solar PV	1x 50 kVA Sungrow Power Supply Co Ltd SG50CX (AS4777-2 2020)	N/A	N/A	11/0.433	500 kVA	Type A	As per AS4777 and SAPN EG standard applicable at time of connection	Type 4	Export
162	20/10/2024	Metro West	SSD520	SA520E	0.20	0.00	0.20	0.19	Solar PV	1x 25 kVA Fronius Australia 25.0-3-S, 1x 100 kVA Fronius Australia Pty Ltd Tauro Eco 100-3-D (AS4777-2 2020)	N/A	N/A	11/0.433	2000 kVA	Type B	As per AS4777 and SAPN EG standard applicable at time of connection	Type 4	Export
163	15/10/2024	Metro East	SSD121	HH121G	0.11	0.00	0.11	0.11	Solar PV	1x 110 kVA Sungrow Power Supply Co Ltd SG110CX (AS4777-2 2020)	N/A	N/A	11/0.433	315 kVA	Type A	As per AS4777 and SAPN EG standard applicable at time of connection	Type 4	Export
164	15/10/2024	Metro West	SSD365	AP365E	0.11	0.00	0.11	0.11	Solar PV	1x 110 kVA Sungrow Power Supply Co Ltd SG110CX (AS4777-2 2020)	N/A	N/A	11/0.433	2000 kVA	Type A	As per AS4777 and SAPN EG standard applicable at time of connection	Type 4	Export
165	11/10/2024	Metro East	SSD432	HH432F	0.11	0.00	0.11	0.11	Solar PV	1x 110 kVA Sungrow Power Supply Co Ltd SG110CX (AS4777-2 2020)	N/A	N/A	11/0.433	300 kVA	Type A	As per AS4777 and SAPN EG standard applicable at time of connection	Type 4	Export
166	26/09/2024	Metro South	SSD234	NL234E	0.22	0.00	0.22	0.22	Solar PV	2x 110 kVA Sungrow Power Supply Co Ltd SG110CX (AS4777-2 2020)	N/A	N/A	11/0.433	2000 kVA	Type C	As per AS4777 and SAPN EG standard applicable at time of connection	Type 4	Export
167	26/09/2024	Metro South	SSD451	NL451B	0.11	0.00	0.11	0.11	Solar PV	1x 110 kVA Sungrow Power Supply Co Ltd SG110CX (AS4777-2 2020)	N/A	N/A	11/0.433	2000 kVA	Type A	As per AS4777 and SAPN EG standard applicable at time of connection	Type 4	Export
168	25/09/2024	Metro North	SSD744	SA744G	0.16	0.00	0.16	0.16	Solar PV	1x 110 kVA Sungrow Power Supply Co Ltd SG110CX (AS4777-2 2020), 1x 50 kVA Sungrow Power Supply Co Ltd SG50CX (AS4777-2 2020)	N/A	N/A	11/0.433	1000 kVA	Type A	As per AS4777 and SAPN EG standard applicable at time of connection	Type 4	Export
169	24/09/2024	Metro South	SSD521	MV13	0.06	0.00	0.06	0.01	Solar PV	2x 29.9 kVA Sungrow Power Supply Co Ltd SG30CX-P2 (AS4777-2 2020)	N/A	N/A	11/0.433	200 kVA	Type A	As per AS4777 and SAPN EG standard applicable at time of connection	Type 4	Export
170	24/09/2024	Metro South	SSD350	SM350A	0.08	0.00	0.08	0.08	Solar PV	1x 50 kVA Sungrow Power Supply Co Ltd SG50CX (AS4777-2 2020), 1x 29.9 kVA Sungrow Power Supply Co Ltd SG30CX (AS4777-2 2020)	N/A	N/A	11/0.433	750 kVA	Type A	As per AS4777 and SAPN EG standard applicable at time of connection	Type 4	Export
171	20/09/2024	Metro East	SSD432	HH432E	0.14	0.00	0.14	0.14	Solar PV	1x 110 kVA Sungrow Power Supply Co Ltd SG110CX (AS4777-2 2020), 1x 29.9 kVA Sungrow Power Supply Co Ltd SG30CX (AS4777-2 2020)	N/A	N/A	11/0.433	200 kVA	Type A	As per AS4777 and SAPN EG standard applicable at time of connection	Type 4	Export
172	20/09/2024	Metro East	SSD177	HH177A	0.10	0.00	0.10	0.10	Solar PV	2x 50 kVA Sungrow Power Supply Co Ltd SG50CX (AS4777-2 2020)	N/A	N/A	11/0.433	315 kVA	Type A	As per AS4777 and SAPN EG standard applicable at time of connection	Type 4	Export

No.	Connection Date	Region	Substations	Feeder ID	Inverter Installed Capacity (MVA)	Rotating Installed Capacity (MVA)	Total Installed Capacity (MVA)	Allowable Export (MW)	Generation Fuel	Generating Unit Make & Model	Fault Contributions		Transformer Info		Protection and communication systems	Voltage control and reactive power capability	Single Line Diagram of the Connection Arrangement	Export Details
											At Connection Point	Ph-Ground	Voltage (kV)	Rating				
173	19/09/2024	Riverland	SSD166	BM35	1.90	0.00	1.90	0.20	Solar PV	19x 100 kVA Fronius Australia Pty Ltd Tauro Eco 100-3-P (AS4777-2 2020)	N/A	N/A	11/0.433	2000 kVA	Type B	As per AS4777 and SAPN EG standard applicable at time of connection	Type 4	Export
174	18/09/2024	Metro North	SSD744	SA744A	0.77	0.00	0.77	0.00	Solar PV	7x 110 kVA Sungrow Power Supply Co Ltd SG110CX (AS4777-2 2020)	N/A	N/A	11/0.433	2000 kVA	Type B	As per AS4777 and SAPN EG standard applicable at time of connection	Type 4	Non Export
175	17/09/2024	Metro West	SSD829	AP829N	1.01	0.00	1.01	0.20	Solar PV	5x 82.8 kVA SolarEdge Technologies Ltd SE82.8K,6x 100 kVA SolarEdge Technologies Ltd SE100K (AS4777-2 2020)	N/A	N/A	11/0.433	1500 kVA	Type B	As per AS4777 and SAPN EG standard applicable at time of connection	Type 4	Export
176	17/09/2024	Metro East	SSD341	HH341H	0.07	0.00	0.07	0.07	Solar PV	1x 50 kVA Sungrow Power Supply Co Ltd SG50CX (AS4777-2 2020),1x 20 kVA Sungrow Power Supply Co Ltd SG20RT (AS4777-2 2020)	N/A	N/A	11/0.433	750 kVA	Type A	As per AS4777 and SAPN EG standard applicable at time of connection	Type 4	Export
177	12/09/2024	Metro West	SSD520	SA520B	0.18	0.00	0.18	0.10	Solar PV	3x 33 kVA Shenzhen SOFARSOLAR Co Ltd SOFAR 33000TL-Sx Series,1x 50 kVA Sungrow Power Supply Co Ltd SG50CX (AS4777-2 2020),1x 29.9 kVA Sungrow Power Supply Co Ltd SG30CX (AS4777-2 2020)	N/A	N/A	11/0.433	2000 kVA	Type A	As per AS4777 and SAPN EG standard applicable at time of connection	Type 4	Export
178	12/09/2024	Metro West	SSD351	AP351C	0.08	0.00	0.08	0.08	Solar PV + Storage	1x 27 kVA Fronius Australia 27.0-3-S,1x 25 kVA Fronius Australia ECO 25.0-3-S,1x 29.9 kVA NingBo Deye Inverter Technology Co Ltd SUN-29.9K-SG01HP3-AU-BM3 (AS4777-2 2020)	N/A	N/A	11/0.433	500 kVA	Type A	As per AS4777 and SAPN EG standard applicable at time of connection	Type 4	Export
179	12/09/2024	Murraylands	SSD815	SD43200	4.95	0.00	4.95	4.85	Solar PV	1x 4950 kVA ABB Fimer FIMER PVS980-58-4782kVA-K	N/A	N/A	33		Type C	As per AS4777 and SAPN EG standard applicable at time of connection	Type 2	Export
180	10/09/2024	CBD	SSD353	CBD353B	0.09	0.00	0.09	0.09	Solar PV	3x 29.9 kVA GoodWe Technologies Co Ltd GW29.9K-MT (AS4777-2 2020)	N/A	N/A	11/0.433	1000 kVA	Type A	As per AS4777 and SAPN EG standard applicable at time of connection	Type 4	Export
181	9/09/2024	Murraylands	SSD268	MB32	0.10	0.00	0.10	0.08	Solar PV	3x 25 kVA SMA Australia Pty Ltd STP25000TL-30,1x 25 kVA SMA Australia Pty Ltd STP25000TL-30	N/A	N/A	11/0.433	315 kVA	Type A	As per AS4777 and SAPN EG standard applicable at time of connection	Type 4	Export
182	3/09/2024	Metro South	SSD350	SM350E	0.09	0.00	0.09	0.09	Solar PV	1x 50 kVA Sungrow Power Supply Co Ltd SG50CX (AS4777-2 2020),1x 20 kVA Sungrow Power Supply Co Ltd SG20RT (AS4777-2 2020),1x 20 kVA (ABB) Power-One Italy S.p.A TRIO-20.0-TL-OUTD-400	N/A	N/A	11/0.433	750 kVA	Type A	As per AS4777 and SAPN EG standard applicable at time of connection	Type 4	Export
183	29/08/2024	Metro South	SSD402	SM402C	0.20	0.00	0.20	0.16	Solar PV + Storage	2x 5 kVA SMA Solar Technology AG SB5000TL-20,1x 110 kVA Delta Electronics Inc PCS100HV (AS4777-2 2020),1x 5 kVA Fronius Australia Primo 5.0-1,1x 15 kVA Fronius International GmbH Symo 15.0-3-M,2x 29.9 kVA Sungrow Power Supply Co Ltd SG30CX (AS4777-2 2020)	N/A	N/A	11/0.433	300 kVA	Type A	As per AS4777 and SAPN EG standard applicable at time of connection	Type 4	Export
184	22/08/2024	Mid North	SSD745	GA745C	0.11	0.00	0.11	0.11	Solar PV	1x 110 kVA Sungrow Power Supply Co Ltd SG110CX (AS4777-2 2020)	N/A	N/A	11/0.433	1000 kVA	Type A	As per AS4777 and SAPN EG standard applicable at time of connection	Type 4	Export
185	20/08/2024	Metro West	SSD829	AP829K	0.16	0.00	0.16	0.16	Solar PV	1x 50 kVA Sungrow Power Supply Co Ltd SG50CX (AS4777-2 2020),1x 110 kVA Sungrow Power Supply Co Ltd SG110CX (AS4777-2 2020)	N/A	N/A	11/0.433	1500 kVA	Type A	As per AS4777 and SAPN EG standard applicable at time of connection	Type 4	Export

No.	Connection Date	Region	Substations	Feeder ID	Inverter Installed Capacity (MVA)	Rotating Installed Capacity (MVA)	Total Installed Capacity (MVA)	Allowable Export (MW)	Generation Fuel	Generating Unit Make & Model	Fault Contributions		Transformer Info		Protection and communication systems	Voltage control and reactive power capability	Single Line Diagram of the Connection Arrangement	Export Details
											At Connection Point	Ph-Ground	Voltage (kV)	Rating				
186	20/08/2024	Metro North	SSD711	SA711C	0.15	0.00	0.15	0.08	Solar PV	1x 100 kVA SolarEdge Technologies Ltd SE100K (AS4777-2 2020), 1x 50 kVA SolarEdge Technologies Ltd SE50K (AS4777-2 2020)	N/A	N/A	11/0.433	1500 kVA	Type A	As per AS4777 and SAPN EG standard applicable at time of connection	Type 4	Export
187	15/08/2024	Metro South	SSD179	SM179B	0.14	0.00	0.14	0.20	Solar PV + Storage	1x 110 kVA Delta Electronics Inc PCS100HV (AS4777-2 2020), 1x 15 kVA SMA Australia Pty Ltd STP 15000TL-10	N/A	N/A	11/0.433	500 kVA	Type A	As per AS4777 and SAPN EG standard applicable at time of connection	Type 4	Export
188	13/08/2024	Metro North	SSD273	EL15	0.08	0.00	0.08	0.09	Solar PV	1x 29.9 kVA Jiangsu GoodWe Power Supply Technology Co Ltd GW29.9K-MT, 1x 55 kVA GoodWe Technologies Co Ltd GW50KN-MT (AS4777-2 2020)	N/A	N/A	11/0.433	200 kVA	Type A	As per AS4777 and SAPN EG standard applicable at time of connection	Type 4	Export
189	7/08/2024	Metro West	SSD829	AP829F	0.05	0.00	0.05	0.05	Solar PV	1x 50 kVA Sungrow Power Supply Co Ltd SG50CX (AS4777-2 2020)	N/A	N/A	11/0.433	300 kVA	Type A	As per AS4777 and SAPN EG standard applicable at time of connection	Type 4	Export
190	5/08/2024	Metro North	SSD422	EL03	0.08	0.00	0.08	0.08	Solar PV	1x 27 kVA Fronius Australia Pty Ltd Eco 27.0-3-S (AS4777-2 2020), 2x 25 kVA Fronius Australia Pty Ltd Eco 25.0-3-S (AS4777-2 2020)	N/A	N/A	11/0.433	750 kVA	Type A	As per AS4777 and SAPN EG standard applicable at time of connection	Type 4	Export
191	1/08/2024	Metro East	SSD432	HH432D	0.10	0.00	0.10	0.10	Solar PV	1x 100 kVA Fronius Australia Pty Ltd Tauro Eco 100-3-D (AS4777-2 2020)	N/A	N/A	11/0.433	200 kVA	Type A	As per AS4777 and SAPN EG standard applicable at time of connection	Type 4	Export
192	1/08/2024	Metro North	SSD184	EL19	0.08	0.00	0.08	0.00	Solar PV	2x 27 kVA Fronius Australia Pty Ltd Eco 27.0-3-S (AS4777-2 2020), 1x 27 kVA Fronius Australia Pty Ltd Eco 27.0-3-S (AS4777-2 2020)	N/A	N/A	11/0.433	200 kVA	Type A	As per AS4777 and SAPN EG standard applicable at time of connection	Type 4	Export
193	31/07/2024	Barossa	SSD150	NU05	0.10	0.00	0.10	0.10	Solar PV	1x 15 kVA Fronius Australia Pty Ltd Symo 15.0-3-M (AS4777-2 2020), 1x 10 kVA Fronius Australia Pty Ltd Symo 10.0-3-M (AS4777-2 2020), 1x 15 kVA Fronius International GmbH 15.0-3-M, 1x 20 kVA Fronius International GmbH 20.0-3-M	N/A	N/A	11/0.433	300 kVA	Type A	As per AS4777 and SAPN EG standard applicable at time of connection	Type 4	Export
194	30/07/2024	Metro West	SSD355	AP355E	0.15	0.00	0.15	0.15	Solar PV	1x 40 kVA Huawei Technologies Co Ltd SUN2000-40KTL-M3 (AS4777-2 2020), 2x 55 kVA Huawei Technologies Co Ltd SUN2000-50KTL-M0	N/A	N/A	11/0.433	315 kVA	Type A	As per AS4777 and SAPN EG standard applicable at time of connection	Type 4	Export
195	30/07/2024	Metro South	SSD179	SM179A	0.11	0.00	0.11	0.10	Solar PV	1x 110 kVA Sungrow Power Supply Co Ltd SG110CX (AS4777-2 2020)	N/A	N/A	11/0.433	750 kVA	Type A	As per AS4777 and SAPN EG standard applicable at time of connection	Type 4	Export
196	24/07/2024	Murraylands	SSD151	MB11	0.07	0.00	0.07	0.07	Solar PV	1x 50 kVA Sungrow Power Supply Co Ltd SG50CX (AS4777-2 2020), 1x 20 kVA Sungrow Power Supply Co Ltd SG20RT (AS4777-2 2020)	N/A	N/A	11/0.433	500 kVA	Type A	As per AS4777 and SAPN EG standard applicable at time of connection	Type 4	Export
197	23/07/2024	Murraylands	SSD405	SD39300	4.95	0.00	4.95	4.45	Solar PV + Storage	1x 4950 kVA Sungrow SG4950HV-MV	N/A	N/A	33		Type C	As per AS4777 and SAPN EG standard applicable at time of connection	Type 2	Export
198	23/07/2024	Metro East	SSD432	HH432A	0.11	0.00	0.11	0.11	Solar PV	1x 110 kVA Sungrow Power Supply Co Ltd SG110CX (AS4777-2 2020)	N/A	N/A	11/0.433	500 kVA	Type A	As per AS4777 and SAPN EG standard applicable at time of connection	Type 4	Export
199	11/07/2024	Upper North	SSD396	SD32301	4.60	0.00	4.60	4.40	Solar PV + Storage	1x 4600 kVA SMA Solar Technology Ag SC 4600 UP	0	0	33		Type C	As per AS4777 and SAPN EG standard applicable at time of connection	Type 2	Export

No.	Connection Date	Region	Substations	Feeder ID	Inverter Installed Capacity (MVA)	Rotating Installed Capacity (MVA)	Total Installed Capacity (MVA)	Allowable Export (MW)	Generation Fuel	Generating Unit Make & Model	Fault Contributions		Transformer Info		Protection and communication systems	Voltage control and reactive power capability	Single Line Diagram of the Connection Arrangement	Export Details
											At Connection Point	Ph-Ground	Voltage (kV)	Rating				
200	11/07/2024	Metro North	SSD407	SA20	0.06	0.00	0.06	0.02	Solar PV + Storage	1x 5 kVA Fronius Australia Pty Ltd Symo 5.0-3-M (AS4777-2 2020), 1x 29.9 kVA GoodWe Technologies Co Ltd GW29.9K-ET (AS4777-2 2020), 1x 27 kVA Fronius Australia Pty Ltd Eco 27.0-3-S (AS4777-2 2020)	N/A	N/A	11/0.433	200 kVA	Type A	As per AS4777 and SAPN EG standard applicable at time of connection	Type 4	Export
201	9/07/2024	Metro South	SSD210	NL210C	0.07	0.00	0.07	0.02	Solar PV + Storage	2x 6 kVA Fronius Australia Pty Ltd Primo 6.0-1 (AS4777-2 2020), 4x 6 kVA Fronius Australia Pty Ltd Primo 6.0-1 (AS4777-2 2020), 1x 5 kVA Fronius Australia Pty Ltd Primo 5.0-1 (AS4777-2 2020), 2x 4.6 kVA Fronius Australia Pty Ltd Primo 5.0-1 AUS (AS4777-2 2020), 4x 5 kVA Tesla Inc AC Powerwall (AS4777-2 2020)	N/A	N/A	11/0.433	200 kVA	Type A	As per AS4777 and SAPN EG standard applicable at time of connection	Type 4	Export
202	8/07/2024	Riverland	SSD420	BM54	0.07	0.00	0.07	0.07	Solar PV	1x 15 kVA Fronius International GmbH Symo 15.0-3-M, 1x 50 kVA Sungrow Power Supply Co Ltd SG50CX (AS4777-2 2020)	N/A	N/A	11/0.433	200 kVA	Type A	As per AS4777 and SAPN EG standard applicable at time of connection	Type 4	Export
203	8/07/2024	Riverland	SSD420	BM54	0.07	0.00	0.07	0.07	Solar PV	1x 15 kVA Fronius International GmbH Symo 15.0-3-M, 1x 50 kVA Sungrow Power Supply Co Ltd SG50CX (AS4777-2 2020)	N/A	N/A	11/0.433	200 kVA	Type A	As per AS4777 and SAPN EG standard applicable at time of connection	Type 4	Export
204	2/07/2024	Metro North	SSD104	EL18	0.09	0.00	0.09	0.07	Solar PV	1x 20 kVA Sungrow Power Supply Co Ltd SG20RT (AS4777-2 2020), 1x 50 kVA Sungrow Power Supply Co Ltd SG50CX (AS4777-2 2020), 1x 15 kVA SMA Solar Technology AG STP 15000TLHE-10	N/A	N/A	11/0.433	500 kVA	Type A	As per AS4777 and SAPN EG standard applicable at time of connection	Type 4	Export
205	27/06/2024	Metro East	SSD386	HH386C	0.11	0.00	0.11	0.11	Solar PV	1x 110 kVA Sungrow Power Supply Co Ltd SG110CX (AS4777-2 2020)	N/A	N/A	11/0.433	500 kVA	Type A	As per AS4777 and SAPN EG standard applicable at time of connection	Type 4	Export
206	27/06/2024	Metro East	SSD386	HH386B	0.07	0.00	0.07	0.00	Solar PV	1x 66.6 kVA SolarEdge Technologies Ltd SE66.6K (AS4777-2 2020)	N/A	N/A	11/0.433	750 kVA	Type A	As per AS4777 and SAPN EG standard applicable at time of connection	Type 4	Non Export
207	25/06/2024	Metro North	SSD744	SA744G	0.08	0.00	0.08	0.08	Solar PV + Storage	3x 10 kVA Fronius Australia Pty Ltd Symo GEN24 10.0 Plus (AS4777-2 2020), 1x 50 kVA Fronius Australia Pty Ltd Tauro Eco 50-3-D (AS4777-2 2020)	N/A	N/A	11/0.433	1500 kVA	Type A	As per AS4777 and SAPN EG standard applicable at time of connection	Type 4	Export
208	20/06/2024	Metro South	SSD111	NL111P	1.05	0.00	1.05	0.92	Solar PV + Storage	2x 50 kVA (ABB) Power-One Italy S.p.A TRIO-TM-50.0-400, 5x 100 kVA Delta Electronics Inc PCS100 (AS4777-2 2020), 1x 50 kVA (ABB) Power-One Italy S.p.A TRIO-TM-50.0-400	0	0	11/0.433	2000 kVA	Type C	As per AS4777 and SAPN EG standard applicable at time of connection	Type 4	Export
209	20/06/2024	Metro West	SSD510	AP510E	0.10	0.00	0.10	0.10	Solar PV	2x 50 kVA Sungrow Power Supply Co Ltd SG50CX	N/A	N/A	11/0.433	1000 kVA	Type A	As per AS4777 and SAPN EG standard applicable at time of connection	Type 4	Export
210	20/06/2024	Metro West	SSD344	AP344E	0.11	0.00	0.11	0.11	Solar PV	1x 110 kVA Sungrow Power Supply Co Ltd SG110CX (AS4777-2 2020)	N/A	N/A	11/0.433	500 kVA	Type A	As per AS4777 and SAPN EG standard applicable at time of connection	Type 4	Export
211	14/06/2024	Metro North	SSD422	EL03	0.20	0.00	0.20	0.20	Solar PV	2x 100 kVA Fronius Australia Pty Ltd Tauro Eco 100-3-D (AS4777-2 2020)	N/A	N/A	11/0.433	500 kVA	Type C	As per AS4777 and SAPN EG standard applicable at time of connection	Type 4	Export
212	13/06/2024	Metro South	SSD200	ME200F	0.06	0.00	0.06	0.06	Solar PV + Storage	1x 50 kVA Sungrow Power Supply Co Ltd SG50CX (AS4777-2 2020), 1x 9.999 kVA Sungrow Power Supply Co Ltd SH10RT (AS4777-2 2020)	N/A	N/A	11/0.433	300 kVA	Type A	As per AS4777 and SAPN EG standard applicable at time of connection	Type 4	Export

No.	Connection Date	Region	Substations	Feeder ID	Inverter Installed Capacity (MVA)	Rotating Installed Capacity (MVA)	Total Installed Capacity (MVA)	Allowable Export (MW)	Generation Fuel	Generating Unit Make & Model	Fault Contributions		Transformer Info		Protection and communication systems	Voltage control and reactive power capability	Single Line Diagram of the Connection Arrangement	Export Details
											At Connection Point	Ph-Ground	Voltage (kV)	Rating				
213	13/06/2024	Metro South	SSD111	NL111B	0.10	0.00	0.10	0.10	Solar PV	1x 100 kVA Fronius Australia Pty Ltd Tauro Eco 100-3-D (AS4777-2 2020)	N/A	N/A	11/0.433	750 kVA	Type A	As per AS4777 and SAPN EG standard applicable at time of connection	Type 4	Export
214	6/06/2024	Metro East	SSD103	CBD103E	0.10	0.00	0.10	0.10	Solar PV + Storage	1x 4.6 kVA SMA Australia Pty Ltd SB5000TL-21, 1x 30 kVA SolarEdge Technologies Ltd SE30K (AS4777-2 2020), 1x 15 kVA SolarEdge Technologies Ltd SE15K, 1x 5 kVA Tesla Inc AC Powerwall (AS4777-2 2020), 1x 27.6 kVA SolarEdge Technologies Ltd SE27.6K	N/A	N/A	11/0.433	500 kVA	Type A	As per AS4777 and SAPN EG standard applicable at time of connection	Type 4	Export
215	6/06/2024	CBD	SSD367	CBD367Q	0.19	0.00	0.19	0.19	Solar PV	1x 29.9 kVA Sungrow Power Supply Co Ltd SG30CX (AS4777-2 2020), 1x 50 kVA Sungrow Power Supply Co Ltd SG50CX (AS4777-2 2020), 1x 110 kVA Sungrow Power Supply Co Ltd SG110CX (AS4777-2 2020)	N/A	N/A	11/0.433	1500 kVA	Type A	As per AS4777 and SAPN EG standard applicable at time of connection	Type 4	Export
216	6/06/2024	Metro North	SSD414	EL08D	0.11	0.00	0.11	0.11	Solar PV	1x 110 kVA Sungrow Power Supply Co Ltd SG110CX (AS4777-2 2020)	N/A	N/A	11/0.433	1500 kVA	Type A	As per AS4777 and SAPN EG standard applicable at time of connection	Type 4	Export
217	3/06/2024	CBD	SSD367	CBD367U	0.11	0.00	0.11	0.11	Solar PV	1x 110 kVA Sungrow Power Supply Co Ltd SG110CX (AS4777-2 2020)	N/A	N/A	11/0.433	2000 kVA	Type A	As per AS4777 and SAPN EG standard applicable at time of connection	Type 4	Export
218	29/05/2024	Metro West	SSD829	AP829K	0.06	0.00	0.06	0.06	Solar PV + Storage	1x 9.999 kVA Sungrow Power Supply Co Ltd SH10RT (AS4777-2 2020), 1x 50 kVA Sungrow Power Supply Co Ltd SG50CX (AS4777-2 2020)	N/A	N/A	11/0.433	300 kVA	Type A	As per AS4777 and SAPN EG standard applicable at time of connection	Type 4	Export
219	29/05/2024	Metro North	SSD407	SA19	0.66	0.00	0.66	0.00	Solar PV	6x 110 kVA Sungrow Power Supply Co Ltd SG110CX (AS4777-2 2020)	N/A	N/A	11/0.433	2000 kVA	Type B	As per AS4777 and SAPN EG standard applicable at time of connection	Type 4	Non Export
220	28/05/2024	Mid North	SSD230	GA50	0.16	0.00	0.16	0.13	Solar PV	1x 50 kVA Sungrow Power Supply Co Ltd SG50CX (AS4777-2 2020), 1x 110 kVA Sungrow Power Supply Co Ltd SG110CX (AS4777-2 2020)	N/A	N/A	11/0.433	1500 kVA	Type A	As per AS4777 and SAPN EG standard applicable at time of connection	Type 4	Export
221	28/05/2024	Metro North	SSD407	SA13	0.66	0.00	0.66	0.20	Solar PV	6x 110 kVA Sungrow Power Supply Co Ltd SG110CX (AS4777-2 2020)	N/A	N/A	11		Type C	As per AS4777 and SAPN EG standard applicable at time of connection	Type 2	Export
222	28/05/2024	Metro West	SSD146	AP146C	0.05	0.00	0.05	0.05	Solar PV	2x 27 kVA Fronius Australia Pty Ltd Eco 27.0-3-S (AS4777-2 2020)	N/A	N/A	11/0.433	300 kVA	Type A	As per AS4777 and SAPN EG standard applicable at time of connection	Type 4	Export
223	23/05/2024	Metro North	SSD422	EL01Z	0.10	0.00	0.10	0.10	Solar PV	1x 100 kVA Fronius Australia Pty Ltd Tauro Eco 100-3-D (AS4777-2 2020)	N/A	N/A	11/0.433	750 kVA	Type A	As per AS4777 and SAPN EG standard applicable at time of connection	Type 4	Export
224	22/05/2024	Metro East	SSD429	HH429A	0.05	0.00	0.05	0.05	Solar PV	2x 27 kVA Fronius Australia Pty Ltd Eco 27.0-3-S (AS4777-2 2020)	N/A	N/A	11/0.433	500 kVA	Type A	As per AS4777 and SAPN EG standard applicable at time of connection	Type 4	Export
225	21/05/2024	Metro West	SSD520	SA520B	0.05	0.00	0.05	0.05	Solar PV	2x 27 kVA Fronius Australia Pty Ltd Eco 27.0-3-S (AS4777-2 2020)	N/A	N/A	11/0.433	200 kVA	Type A	As per AS4777 and SAPN EG standard applicable at time of connection	Type 4	Export

No.	Connection Date	Region	Substations	Feeder ID	Inverter Installed Capacity (MVA)	Rotating Installed Capacity (MVA)	Total Installed Capacity (MVA)	Allowable Export (MW)	Generation Fuel	Generating Unit Make & Model	Fault Contributions		Transformer Info		Protection and communication systems	Voltage control and reactive power capability	Single Line Diagram of the Connection Arrangement	Export Details
											At Connection Point	Ph-Ground	Voltage (kV)	Rating				
226	21/05/2024	Metro East	SSD341	HH341A	0.10	0.00	0.10	0.10	Solar PV	1x 100 kVA Fronius Australia Pty Ltd Tauro Eco 100-3-D (AS4777-2 2020)	N/A	N/A	11/0.433	500 kVA	Type A	As per AS4777 and SAPN EG standard applicable at time of connection	Type 4	Export
227	16/05/2024	South East	SSD339	SD48200	0.07	0.00	0.07	0.07	Solar PV	2x 33.3 kVA SolarEdge Technologies Ltd SE33.3K (AS4777-2 2020)	N/A	N/A	33/0.433	200 kVA	Type A	As per AS4777 and SAPN EG standard applicable at time of connection	Type 4	Export
228	16/05/2024	South East	SSD195	MG43	0.09	0.00	0.09	0.09	Solar PV	1x 50 kVA Sungrow Power Supply Co Ltd SG50CX (AS4777-2 2020), 1x 20 kVA Sungrow Power Supply Co Ltd SG20RT (AS4777-2 2020), 1x 15 kVA SMA Australia Pty Ltd STP 15000TL-10	N/A	N/A	11/0.433	750 kVA	Type A	As per AS4777 and SAPN EG standard applicable at time of connection	Type 4	Export
229	15/05/2024	Metro South	SSD234	NL234C	0.38	0.00	0.38	0.20	Solar PV	3x 100 kVA SolarEdge Technologies Ltd SE100K (AS4777-2 2020), 1x 82.8 kVA SolarEdge Technologies Ltd SE82.8K (AS4777-2 2020)	N/A	N/A	11/0.433	2000 kVA	Type B	As per AS4777 and SAPN EG standard applicable at time of connection	Type 4	Export
230	15/05/2024	South East	SSD158	NA01	0.11	0.00	0.11	0.11	Solar PV	1x 110 kVA Sungrow Power Supply Co Ltd SG110CX (AS4777-2 2020)	N/A	N/A	11/0.433	750 kVA	Type A	As per AS4777 and SAPN EG standard applicable at time of connection	Type 4	Export
231	14/05/2024	Fleurieu Peninsula	SSD368	VH15	0.09	0.00	0.09	0.09	Solar PV	1x 29.9 kVA Sungrow Power Supply Co Ltd SG30CX (AS4777-2 2020), 1x 15 kVA SMA Solar Technology AG STP 15000TL-10	N/A	N/A	11/0.433	315 kVA	Type A	As per AS4777 and SAPN EG standard applicable at time of connection	Type 4	Export
232	10/05/2024	Upper North	SSD187	PA01	0.11	0.00	0.11	0.11	Solar PV	1x 110 kVA Sungrow Power Supply Co Ltd SG110CX (AS4777-2 2020)	N/A	N/A	11/0.433	500 kVA	Type A	As per AS4777 and SAPN EG standard applicable at time of connection	Type 4	Export
233	9/05/2024	Metro North	SSD407	SA12	0.12	0.00	0.12	0.11	Solar PV + Storage	1x 5 kVA Tesla Inc AC Powerwall (AS4777-2 2020), 1x 110 kVA SMA AUSTRALIA PTY LTD STP 110-60 (AS4777-2 2020)	N/A	N/A	11/0.433	315 kVA	Type A	As per AS4777 and SAPN EG standard applicable at time of connection	Type 4	Export
234	9/05/2024	Metro South	SSD234	NL234B	0.11	0.00	0.11	0.10	Solar PV	1x 110 kVA Sungrow Power Supply Co Ltd SG110CX (AS4777-2 2020)	N/A	N/A	11/0.433	315 kVA	Type A	As per AS4777 and SAPN EG standard applicable at time of connection	Type 4	Export
235	6/05/2024	Metro North	SSD273	EL28	0.20	0.00	0.20	0.08	Solar PV	1x 50 kVA SolarEdge Technologies Ltd SE50K (AS4777-2 2020), 1x 82.8 kVA SolarEdge Technologies Ltd SE82.8K, 1x 66.6 kVA SolarEdge Technologies Ltd SE66.6K (AS4777-2 2020)	N/A	N/A	11/0.433	1000 kVA	Type A	As per AS4777 and SAPN EG standard applicable at time of connection	Type 4	Export
236	2/05/2024	Metro South	SSD200	ME200B	0.11	0.00	0.11	0.11	Solar PV	1x 110 kVA Sungrow Power Supply Co Ltd SG110CX (AS4777-2 2020)	N/A	N/A	11/0.433	150 kVA	Type A	As per AS4777 and SAPN EG standard applicable at time of connection	Type 4	Export
237	1/05/2024	Metro East	SSD409	HH409C	0.08	0.00	0.08	0.08	Solar PV	1x 50 kVA Sungrow Power Supply Co Ltd SG50CX (AS4777-2 2020), 1x 29.9 kVA Sungrow Power Supply Co Ltd SG30CX (AS4777-2 2020)	N/A	N/A	11/0.433	1500 kVA	Type A	As per AS4777 and SAPN EG standard applicable at time of connection	Type 4	Export
238	1/05/2024	Metro South	SSD511	NL511A	0.20	0.00	0.20	0.20	Solar PV	2x 99.99 kVA JIANGSU GOODWE POWER SUPPLY TECHNOLOGY CO LTD GW100K-HT (AS4777-2 2020)	N/A	N/A	11/0.433	500 kVA	Type A	As per AS4777 and SAPN EG standard applicable at time of connection	Type 4	Export
239	24/04/2024	Fleurieu Peninsula	SSD368	VH15	0.16	0.00	0.16	0.16	Solar PV	1x 110 kVA Sungrow Power Supply Co Ltd SG110CX (AS4777-2 2020), 1x 50 kVA Sungrow Power Supply Co Ltd SG50CX (AS4777-2 2020)	N/A	N/A	11/0.433	750 kVA	Type A	As per AS4777 and SAPN EG standard applicable at time of connection	Type 4	Export

No.	Connection Date	Region	Substations	Feeder ID	Inverter Installed Capacity (MVA)	Rotating Installed Capacity (MVA)	Total Installed Capacity (MVA)	Allowable Export (MW)	Generation Fuel	Generating Unit Make & Model	Fault Contributions		Transformer Info		Protection and communication systems	Voltage control and reactive power capability	Single Line Diagram of the Connection Arrangement	Export Details
											At Connection Point	Ph-Ground	Voltage (kV)	Rating				
240	24/04/2024	Metro South	SSD402	SM402E	0.10	0.00	0.10	0.10	Solar PV	1x 99.99 kVA GoodWe Technologies Co Ltd GW100K-HT (AS4777-2 2020)	N/A	N/A	11/0.433	750 kVA	Type A	As per AS4777 and SAPN EG standard applicable at time of connection	Type 4	Export
241	23/04/2024	Eastern Hills	SSD248	ST34	0.08	0.00	0.08	0.08	Solar PV	1x 82.8 kVA SolarEdge Technologies Ltd SE82.8K (AS4777-2 2020)	N/A	N/A	11/0.433	315 kVA	Type A	As per AS4777 and SAPN EG standard applicable at time of connection	Type 4	Export
242	22/04/2024	Metro West	SSD829	AP829A	0.10	0.00	0.10	0.10	Solar PV	1x 100 kVA Fronius Australia Pty Ltd Tauro Eco 100-3-D (AS4777-2 2020)	N/A	N/A	11/0.433	500 kVA	Type A	As per AS4777 and SAPN EG standard applicable at time of connection	Type 4	Export
243	18/04/2024	Metro East	SSD428	HH428B	0.10	0.00	0.10	0.10	Solar PV	1x 100 kVA Fronius Australia Pty Ltd Tauro Eco 100-3-D (AS4777-2 2020)	N/A	N/A	11/0.433	750 kVA	Type A	As per AS4777 and SAPN EG standard applicable at time of connection	Type 4	Export
244	18/04/2024	Eastern Hills	SSD241	SG07	0.06	0.00	0.06	0.06	Solar PV	2x 30 kVA Ginlong Technologies Co Ltd S5-GC30K-AU (AS4777-2 2020)	N/A	N/A	11/0.433	500 kVA	Type A	As per AS4777 and SAPN EG standard applicable at time of connection	Type 4	Export
245	16/04/2024	Metro North	SSD129	SA33	0.10	0.00	0.10	0.10	Solar PV	1x 100 kVA Fronius Australia Pty Ltd Tauro Eco 100-3-D (AS4777-2 2020)	N/A	N/A	11/0.433	500 kVA	Type A	As per AS4777 and SAPN EG standard applicable at time of connection	Type 4	Export
246	10/04/2024	Metro East	SSD118	HH118D	0.07	0.00	0.07	0.07	Solar PV	2x 27 kVA Fronius Australia ECO 27.0-3-S, 1x 20 kVA Fronius International GmbH Symo 20.0-3-M	N/A	N/A	11/0.433	300 kVA	Type A	As per AS4777 and SAPN EG standard applicable at time of connection	Type 4	Export
247	10/04/2024	Metro South	SSD216	SM216B	0.09	0.00	0.09	0.09	Solar PV	1x 60 kVA GoodWe Technologies Co Ltd GW60KN-MT (AS4777-2 2020), 1x 29.9 kVA GoodWe Technologies Co Ltd GW29.9K-MT (AS4777-2 2020)	N/A	N/A	11/0.433	1000 kVA	Type A	As per AS4777 and SAPN EG standard applicable at time of connection	Type 4	Export
248	4/04/2024	Metro South	SSD511	NL511A	0.09	0.00	0.09	0.09	Solar PV	3x 30 kVA SolarEdge Technologies Ltd SE30K (AS4777-2 2020)	N/A	N/A	11/0.433	750 kVA	Type A	As per AS4777 and SAPN EG standard applicable at time of connection	Type 4	Export
249	27/03/2024	Riverland	SSD420	BM52	0.14	0.00	0.14	0.00	Solar PV	1x 110 kVA Sungrow Power Supply Co Ltd SG110CX (AS4777-2 2020), 1x 29.9 kVA Sungrow Power Supply Co Ltd SG30CX (AS4777-2 2020)	N/A	N/A	11/0.433	1500 kVA	Type A	As per AS4777 and SAPN EG standard applicable at time of connection	Type 4	Non Export
250	21/03/2024	Metro West	SSD125	AP125C	0.10	0.00	0.10	0.10	Solar PV	1x 100 kVA SolarEdge Technologies Ltd SE100K (AS4777-2 2020)	N/A	N/A	11/0.433	500 kVA	Type A	As per AS4777 and SAPN EG standard applicable at time of connection	Type 4	Export
251	19/03/2024	Metro East	SSD429	HH429D	0.10	0.00	0.10	0.10	Solar PV	2x 50 kVA Sungrow Power Supply Co Ltd SG50CX (AS4777-2 2020)	N/A	N/A	11/0.433	1500 kVA	Type A	As per AS4777 and SAPN EG standard applicable at time of connection	Type 4	Export
252	19/03/2024	Metro South	SSD131	ME131A	0.11	0.00	0.11	0.11	Solar PV	1x 110 kVA Sungrow Power Supply Co Ltd SG110CX (AS4777-2 2020)	N/A	N/A	11/0.433	2000 kVA	Type A	As per AS4777 and SAPN EG standard applicable at time of connection	Type 4	Export
253	14/03/2024	Riverland	SSD420	BM56	0.12	0.00	0.12	0.07	Solar PV	1x 121 kVA GoodWe Technologies Co Ltd GW110K-HT (AS4777-2 2020)	N/A	N/A	11/0.433	750 kVA	Type A	As per AS4777 and SAPN EG standard applicable at time of connection	Type 4	Export
254	13/03/2024	Metro East	SSD102	HH102D	0.11	0.00	0.11	0.01	Solar PV + Storage	23x 4.6 kVA SONNEN AUSTRALIA PTY LIMITED sonnenBatterie Hybrid 9.53/10 (AS4777-2 2020)	N/A	N/A	11/0.433	315 kVA	Type A	As per AS4777 and SAPN EG standard applicable at time of connection	Type 4	Export

No.	Connection Date	Region	Substations	Feeder ID	Inverter Installed Capacity (MVA)	Rotating Installed Capacity (MVA)	Total Installed Capacity (MVA)	Allowable Export (MW)	Generation Fuel	Generating Unit Make & Model	Fault Contributions		Transformer Info		Protection and communication systems	Voltage control and reactive power capability	Single Line Diagram of the Connection Arrangement	Export Details
											At Connection Point	Ph-Ground	Voltage (kV)	Rating				
255	13/03/2024	Metro South	SSD231	ME231D	0.10	0.00	0.10	0.09	Solar PV	2x 50 kVA SMA Australia Pty Ltd STP 50-41 (AS4777-2 2020)	N/A	N/A	11/0.433	150 kVA	Type A	As per AS4777 and SAPN EG standard applicable at time of connection	Type 4	Export
256	7/03/2024	Metro North	SSD273	EL15	0.06	0.00	0.06	0.03	Solar PV	2x 29.9 kVA GoodWe Technologies Co Ltd GW29.9K-MT (AS4777-2 2020)	N/A	N/A	11/0.433	200 kVA	Type A	As per AS4777 and SAPN EG standard applicable at time of connection	Type 4	Export
257	7/03/2024	Fleurieu Peninsula	SSD368	VH12	0.09	0.00	0.09	0.09	Solar PV + Storage	226x 0.366 kVA ENPHASE ENERGY AUSTRALIA PTY. LTD. IQ7A-72-M-INT (AS4777-2 2020), 2x 5 kVA Tesla Inc AC Powerwall (AS4777-2 2020)	N/A	N/A	11/0.433	315 kVA	Type A	As per AS4777 and SAPN EG standard applicable at time of connection	Type 4	Export
258	5/03/2024	Yorke Peninsula	SSD201	MT22	0.07	0.00	0.07	0.07	Solar PV	1x 66.6 kVA SolarEdge Technologies Ltd SE66.6K (AS4777-2 2020)	N/A	N/A	11/0.433	315 kVA	Type A	As per AS4777 and SAPN EG standard applicable at time of connection	Type 4	Export
259	5/03/2024	Yorke Peninsula	SSD780	SD34201	0.11	0.00	0.11	0.11	Solar PV	1x 110 kVA Sungrow Power Supply Co Ltd SG110CX (AS4777-2 2020)	N/A	N/A	33/0.433	200 kVA	Type A	As per AS4777 and SAPN EG standard applicable at time of connection	Type 4	Export
260	4/03/2024	Metro West	SSD355	AP355H	0.08	0.00	0.08	0.08	Solar PV	1x 82.8 kVA SolarEdge Technologies Ltd SE82.8K (AS4777-2 2020)	N/A	N/A	11/0.433	315 kVA	Type A	As per AS4777 and SAPN EG standard applicable at time of connection	Type 4	Export
261	29/02/2024	Metro West	SSD829	AP829K	0.08	0.00	0.08	0.02	Solar PV	1x 50 kVA Sungrow Power Supply Co Ltd SG50CX (AS4777-2 2020), 1x 30 kVA Jiangsu Zeversolar New Energy Co Ltd Pro 30K	N/A	N/A	11/0.433	750 kVA	Type A	As per AS4777 and SAPN EG standard applicable at time of connection	Type 4	Export
262	29/02/2024	Metro West	SSD425	AP425D	0.08	0.00	0.08	0.08	Solar PV	3x 25 kVA Fronius Australia Pty Ltd Eco 25.0-3-S (AS4777-2 2020)	N/A	N/A	11/0.433	1000 kVA	Type A	As per AS4777 and SAPN EG standard applicable at time of connection	Type 4	Export
263	29/02/2024	Barossa	SSD150	NU01	0.11	0.00	0.11	0.11	Solar PV	1x 110 kVA Sungrow Power Supply Co Ltd SG110CX (AS4777-2 2020)	N/A	N/A	11		Type A	As per AS4777 and SAPN EG standard applicable at time of connection	Type 2	Export
264	21/02/2024	Yorke Peninsula	SSD776	SD51200	4.95	0.00	4.95	4.95	Solar PV	1x 4950 kVA Sungrow SG4950HV-MV	0	0	33		Type C	As per AS4777 and SAPN EG standard applicable at time of connection	Type 2	Export
265	19/02/2024	Eyre Peninsula	SSD265	CV08	0.06	0.00	0.06	0.02	Solar PV	1x 50 kVA Sungrow Power Supply Co Ltd SG50CX (AS4777-2 2020), 1x 9.999 kVA Sungrow Power Supply Co Ltd SG10RT (AS4777-2 2020)	N/A	N/A	11/0.433	315 kVA	Type A	As per AS4777 and SAPN EG standard applicable at time of connection	Type 4	Export
266	15/02/2024	Southern Rural	SSD171	VH32	0.11	0.00	0.11	0.11	Solar PV	1x 110 kVA Sungrow Power Supply Co Ltd SG110CX (AS4777-2 2020)	N/A	N/A	11/0.433	315 kVA	Type A	As per AS4777 and SAPN EG standard applicable at time of connection	Type 4	Export
267	15/02/2024	Metro West	SSD829	AP829K	0.16	0.00	0.16	0.14	Solar PV + Storage	1x 50 kVA Sungrow Power Supply Co Ltd SC50HV (AS4777-2 2020), 1x 110 kVA SUNGROW AUSTRALIA GROUP PTY LTD SC110CX	N/A	N/A	11/0.433	500 kVA	Type A	As per AS4777 and SAPN EG standard applicable at time of connection	Type 4	Export
268	14/02/2024	Metro South	SSD451	NL451B	0.11	0.00	0.11	0.00	Solar PV	1x 110 kVA Sungrow Power Supply Co Ltd SG110CX (AS4777-2 2020)	N/A	N/A	11/0.433	2000 kVA	Type A	As per AS4777 and SAPN EG standard applicable at time of connection	Type 4	Non Export
269	13/02/2024	South East	SSD195	MG45	0.05	0.00	0.05	0.00	Solar PV	1x 50 kVA SolarEdge Technologies Ltd SE50K (AS4777-2 2020)	N/A	N/A	11/0.433	500 kVA	Type A	As per AS4777 and SAPN EG standard applicable at time of connection	Type 4	Non Export

No.	Connection Date	Region	Substations	Feeder ID	Inverter Installed Capacity (MVA)	Rotating Installed Capacity (MVA)	Total Installed Capacity (MVA)	Allowable Export (MW)	Generation Fuel	Generating Unit Make & Model	Fault Contributions		Transformer Info		Protection and communication systems	Voltage control and reactive power capability	Single Line Diagram of the Connection Arrangement	Export Details
											At Connection Point	Ph-Ground	Voltage (kV)	Rating				
270	9/02/2024	Mid North	SSD745	GA745A	0.04	0.00	0.04	0.02	Solar PV + Storage	1x 15 kVA GoodWe Technologies Co Ltd GW15KAU-DT (AS4777-2 2020),1x 5 kVA Alpha ESS Co Ltd SMILE-G3-B5-INV (AS4777-2 2020)	N/A	N/A	11/0.433	300 kVA	Type A	As per AS4777 and SAPN EG standard applicable at time of connection	Type 4	Export
271	8/02/2024	Metro East	SSD130	HH130B	0.07	0.00	0.07	0.02	Solar PV	1x 27 kVA Fronius Australia Pty Ltd Eco 27.0-3-S (AS4777-2 2020),2x 20 kVA Fronius Australia Pty Ltd Symo 20.0-3-M (AS4777-2 2020)	N/A	N/A	11/0.433	200 kVA	Type A	As per AS4777 and SAPN EG standard applicable at time of connection	Type 4	Export
272	8/02/2024	Metro East	SSD121	HH121F	0.07	0.00	0.07	0.02	Solar PV + Storage	6x 5 kVA Tesla Motors Australia Pty Ltd AC Powerwall,2x 20 kVA SMA AUSTRALIA PTY LTD STP20000TL-30	N/A	N/A	11/0.433	315 kVA	Type A	As per AS4777 and SAPN EG standard applicable at time of connection	Type 4	Export
273	8/02/2024	Metro South	SSD231	ME231F	0.10	0.00	0.10	0.02	Solar PV	1x 100 kVA Huawei Technologies Co Ltd SUN2000-100kTL-M1	N/A	N/A	11/0.433	300 kVA	Type A	As per AS4777 and SAPN EG standard applicable at time of connection	Type 4	Export
274	8/02/2024	Fleurieu Peninsula	SSD340	VH22	0.08	0.00	0.08	0.02	Solar PV	15x 5 kVA Fronius Australia Pty Ltd Primo 5.0-1 (AS4777-2 2020)	N/A	N/A	11/0.433	750 kVA	Type A	As per AS4777 and SAPN EG standard applicable at time of connection	Type 4	Export
275	8/02/2024	Murraylands	SSD306	SD40102	4.98	0.00	4.98	0.02	Solar PV + Storage	21x 175 kVA (ABB) Power-One Italy S.p.A PVS-175-TL1-WB-SX2-IFANNMN,1x 1300 kVA Tesla Motors Australia Pty Ltd Megapack 2	N/A	N/A	33		Type B	As per AS4777 and SAPN EG standard applicable at time of connection	Type 2	Export
276	8/02/2024	Yorke Peninsula	SSD780	SD34201	4.98	0.00	4.98	0.02	Solar PV + Storage	1x 1300 kVA Tesla Motors Australia Pty Ltd Megapack 2,21x 175 kVA (ABB) Power-One Italy S.p.A PVS-175-TL1-WB-SX2-IFANNMN	N/A	N/A	33		Type B	As per AS4777 and SAPN EG standard applicable at time of connection	Type 2	Export
277	8/02/2024	Fleurieu Peninsula	SSD368	VH11	0.06	0.00	0.06	0.06	Solar PV	2x 30 kVA Ginlong Technologies Co Ltd S5-GC30K-AU (AS4777-2 2020)	N/A	N/A	11/0.433	750 kVA	Type A	As per AS4777 and SAPN EG standard applicable at time of connection	Type 4	Export
278	8/02/2024	Metro South	SSD116	ME116B	0.08	0.00	0.08	0.08	Solar PV	1x 82.8 kVA SolarEdge Technologies Ltd SE82.8K (AS4777-2 2020)	N/A	N/A	11/0.433	500 kVA	Type A	As per AS4777 and SAPN EG standard applicable at time of connection	Type 4	Export
279	8/02/2024	CBD	SSD367	CBD367D	0.33	0.00	0.33	0.02	Solar PV	3x 110 kVA Sungrow Power Supply Co Ltd SG110CX	N/A	N/A	11/0.433	1500 kVA	Type B	As per AS4777 and SAPN EG standard applicable at time of connection	Type 4	Export
280	7/02/2024	Eastern Hills	SSD777	MTB12	0.05	0.00	0.05	0.05	Solar PV	1x 25 kVA GoodWe Technologies Co Ltd GW25K-MT (AS4777-2 2020)	N/A	N/A	11/0.433	500 kVA	Type A	As per AS4777 and SAPN EG standard applicable at time of connection	Type 4	Export
281	6/02/2024	Metro South	SSD131	ME131E	0.22	0.00	0.22	0.10	Solar PV	2x 110 kVA Sungrow Power Supply Co Ltd SG110CX (AS4777-2 2020)	N/A	N/A	11/0.433	300 kVA	Type B	As per AS4777 and SAPN EG standard applicable at time of connection	Type 4	Export
282	5/02/2024	Murraylands	SSD389	MB22	0.06	0.00	0.06	0.06	Solar PV + Storage	3x 9.999 kVA Sungrow Power Supply Co Ltd SH10RT (AS4777-2 2020),1x 29.9 kVA Sungrow Power Supply Co Ltd SG30CX (AS4777-2 2020)	N/A	N/A	11/0.433	300 kVA	Type A	As per AS4777 and SAPN EG standard applicable at time of connection	Type 4	Export
283	1/02/2024	Riverland	SSD235	LX41	0.05	0.00	0.05	0.05	Solar PV + Storage	1x 10 kVA SMA Solar Technology AG STP 10000TL-10,1x 5 kVA Tesla Inc AC Powerwall (AS4777-2 2020)	N/A	N/A	11/0.433	100 kVA	Type A	As per AS4777 and SAPN EG standard applicable at time of connection	Type 4	Export
284	1/02/2024	Fleurieu Peninsula	SSD154	MV42	0.07	0.00	0.07	0.02	Solar PV	1x 27 kVA Fronius Australia Pty Ltd Eco 27.0-3-S (AS4777-2 2020),1x 20 kVA Fronius Australia Pty Ltd Symo 20.0-3-M (AS4777-2 2020)	N/A	N/A	11/0.433	300 kVA	Type A	As per AS4777 and SAPN EG standard applicable at time of connection	Type 4	Export

No.	Connection Date	Region	Substations	Feeder ID	Inverter Installed Capacity (MVA)	Rotating Installed Capacity (MVA)	Total Installed Capacity (MVA)	Allowable Export (MW)	Generation Fuel	Generating Unit Make & Model	Fault Contributions		Transformer Info		Protection and communication systems	Voltage control and reactive power capability	Single Line Diagram of the Connection Arrangement	Export Details
											At Connection Point	Ph-Ground	Voltage (kV)	Rating				
285	25/01/2024	Metro East	SSD121	HH121F	0.11	0.00	0.11	0.11	Solar PV	1x 110 kVA Sungrow Power Supply Co Ltd SG110CX (AS4777-2 2020)	N/A	N/A	11/0.433	300 kVA	Type A	As per AS4777 and SAPN EG standard applicable at time of connection	Type 4	Export
286	23/01/2024	Metro West	SSD829	AP829H	0.20	0.00	0.20	0.20	Solar PV	2x 100 kVA (ABB) Power-One Italy S.p.A PVS-100-TL	N/A	N/A	11/0.433	1500 kVA	Type C	As per AS4777 and SAPN EG standard applicable at time of connection	Type 4	Export
287	23/01/2024	Metro North	SSD129	SA38	4.87	0.00	4.87	3.97	Storage	4x 1217 kVA Hitachi Energy PowerStore PS1000	N/A	N/A	11		Type C	As per AS4777 and SAPN EG standard applicable at time of connection	Type 2	Export
288	18/01/2024	Metro North	SSD422	EL04	0.08	0.00	0.08	0.08	Solar PV	3x 27 kVA Fronius Australia Pty Ltd Eco 27.0-3-S (AS4777-2 2020)	N/A	N/A	11		Type A	As per AS4777 and SAPN EG standard applicable at time of connection	Type 2	Export
289	17/01/2024	Yorke Peninsula	SSD305	KA29	0.11	0.00	0.11	0.11	Solar PV + Storage	3x 4.6 kVA SONNEN AUSTRALIA PTY LIMITED sonnenBatterie Hybrid 9.53/10 (AS4777-2 2020), 2x 25 kVA SMA Australia Pty Ltd STP25000TL-30, 1x 15 kVA SMA Australia Pty Ltd STP15000TL-30, 1x 5 kVA SMA Solar Technology AG SB5000TL-20, 1x 4 kVA SMA Solar Technology AG SB4000TL-20, 1x 20 kVA SMA Australia Pty Ltd STP20000TL-30	N/A	N/A	11/0.433	500 kVA	Type A	As per AS4777 and SAPN EG standard applicable at time of connection	Type 4	Export
290	16/01/2024	Metro West	SSD132	AP132E	0.32	0.00	0.32	0.32	Solar PV	1x 25 kVA Fronius Australia 25.0-3-S, 2x 110 kVA Sungrow Power Supply Co Ltd SG110CX-P2 (AS4777-2 2020)	N/A	N/A	11/0.433	750 kVA	Type C	As per AS4777 and SAPN EG standard applicable at time of connection	Type 4	Export
291	15/01/2024	Eyre Peninsula	SSD803	PL803C	0.08	0.00	0.08	0.02	Solar PV	1x 82.8 kVA SolarEdge Technologies Ltd SE82.8K (AS4777-2 2020)	N/A	N/A	11/0.433	200 kVA	Type A	As per AS4777 and SAPN EG standard applicable at time of connection	Type 4	Export
292	10/01/2024	Metro South	SSD402	SM402D	0.06	0.00	0.06	0.06	Solar PV + Storage	1x 4 kVA SMA Solar Technology AG SB4000TL-20, 3x 4.6 kVA SONNEN AUSTRALIA PTY LIMITED sonnenBatterie Hybrid 9.53/10 (AS4777-2 2020), 1x 20 kVA Fronius International GmbH Symo 20.0-3-M	N/A	N/A	11/0.433	200 kVA	Type A	As per AS4777 and SAPN EG standard applicable at time of connection	N/A	Export
293	10/01/2024	Metro East	SSD428	HH428B	0.11	0.00	0.11	0.11	Solar PV	1x 110 kVA Sungrow Power Supply Co Ltd SG110CX (AS4777-2 2020)	N/A	N/A	11/0.433	500 kVA	Type A	As per AS4777 and SAPN EG standard applicable at time of connection	Type 4	Export
294	9/01/2024	Eastern Hills	SSD714	GU32	0.06	0.00	0.06	0.02	Solar PV	1x 15 kVA SolarEdge Technologies Ltd SE15K, 2x 15 kVA Fronius Australia Pty Ltd Symo 15.0-3-M (AS4777-2 2020)	N/A	N/A	11/0.433	200 kVA	Type A	As per AS4777 and SAPN EG standard applicable at time of connection	Type 4	Export
295	9/01/2024	Metro East	SSD121	HH121C	0.11	0.00	0.11	0.11	Solar PV	1x 110 kVA Sungrow Power Supply Co Ltd SG110CX (AS4777-2 2020)	N/A	N/A	11/0.433	750 kVA	Type A	As per AS4777 and SAPN EG standard applicable at time of connection	Type 4	Export
296	4/01/2024	Metro West	SSD344	AP344D	0.11	0.00	0.11	0.11	Solar PV	1x 110 kVA Sungrow Power Supply Co Ltd SG110CX (AS4777-2 2020)	N/A	N/A	11/0.433	200 kVA	Type A	As per AS4777 and SAPN EG standard applicable at time of connection	Type 4	Export
297	3/01/2024	Metro East	SSD103	CBD103C	0.09	0.00	0.09	0.09	Solar PV	3x 30 kVA SolarEdge Technologies Ltd SE30K (AS4777-2 2020)	N/A	N/A	11/0.433	1000 kVA	Type A	As per AS4777 and SAPN EG standard applicable at time of connection	Type 4	Export

No.	Connection Date	Region	Substations	Feeder ID	Inverter Installed Capacity (MVA)	Rotating Installed Capacity (MVA)	Total Installed Capacity (MVA)	Allowable Export (MW)	Generation Fuel	Generating Unit Make & Model	Fault Contributions		Transformer Info		Protection and communication systems	Voltage control and reactive power capability	Single Line Diagram of the Connection Arrangement	Export Details
											At Connection Point	Ph-Ground	Voltage (kV)	Rating				
298	21/12/2023	Metro North	SSD744	SA744A	4.99	0.00	4.99	4.98	Storage	2x 2494.2 kVA Ingecon Sun Storage 3660TL C450	0	0	11		Type C	As per AS4777 and SAPN EG standard applicable at time of connection	Type 1	Export
299	21/12/2023	Metro South	SSD231	ME231D	0.08	0.00	0.08	0.08	Solar PV	1x 82.8 kVA SolarEdge Technologies Ltd SE82.8K (AS4777-2 2020)	N/A	N/A	11/0.433	2000 kVA	Type A	As per AS4777 and SAPN EG standard applicable at time of connection	Type 4	Export
300	21/12/2023	Metro West	SSD520	SA520J	0.60	0.00	0.60	0.48	Solar PV	6x 100 kVA Fronius Australia Pty Ltd Tauro Eco 100-3-D (AS4777-2 2020)	N/A	N/A	11		Type C	As per AS4777 and SAPN EG standard applicable at time of connection	Type 2	Export
301	19/12/2023	Metro South	SSD111	NL111D	0.09	0.00	0.09	0.09	Solar PV	3x 29.9 kVA GoodWe Technologies Co Ltd GW29.9K-MT (AS4777-2 2020)	N/A	N/A	11/0.433	500 kVA	Type A	As per AS4777 and SAPN EG standard applicable at time of connection	Type 4	Export
302	19/12/2023	Eastern Hills	SSD247	MTB61	0.19	0.00	0.19	0.19	Solar PV	1x 25 kVA SMA Solar Technology AG STP 25000TL-30, 1x 100 kVA Fronius Australia Pty Ltd Tauro Eco 100-3-D (AS4777-2 2020), 1x 20 kVA SMA Solar Technology AG STP 20000TL-30	N/A	N/A	11/0.433	315 kVA	Type A	As per AS4777 and SAPN EG standard applicable at time of connection	Type 4	Export
303	19/12/2023	Riverland	SSD287	WK21	0.16	0.00	0.16	0.02	Solar PV	1x 110 kVA Sungrow Power Supply Co Ltd SG110CX (AS4777-2 2020), 1x 50 kVA Sungrow Power Supply Co Ltd SG50CX (AS4777-2 2020)	N/A	N/A	11/0.433	500 kVA	Type A	As per AS4777 and SAPN EG standard applicable at time of connection	Type 4	Export
304	14/12/2023	Metro North	SSD744	SA744C	0.08	0.00	0.08	0.00	Solar PV	3x 27 kVA Fronius Australia Pty Ltd Eco 27.0-3-S (AS4777-2 2020)	N/A	N/A	11/0.433	315 kVA	Type A	As per AS4777 and SAPN EG standard applicable at time of connection	Type 4	Non Export
305	14/12/2023	Metro East	SSD341	HH341B	0.08	0.00	0.08	0.08	Solar PV	1x 29.9 kVA Sungrow Power Supply Co Ltd SG30CX (AS4777-2 2020), 1x 50 kVA Sungrow Power Supply Co Ltd SG50CX (AS4777-2 2020)	N/A	N/A	11/0.433	1500 kVA	Type A	As per AS4777 and SAPN EG standard applicable at time of connection	Type 4	Export
306	12/12/2023	Metro East	SSD432	HH432F	0.11	0.00	0.11	0.11	Solar PV	1x 110 kVA Sungrow Power Supply Co Ltd SG110CX (AS4777-2 2020)	N/A	N/A	11/0.433	315 kVA	Type A	As per AS4777 and SAPN EG standard applicable at time of connection	Type 4	Export
307	7/12/2023	Metro East	SSD118	HH118B	0.22	0.00	0.22	0.04	Solar PV	2x 110 kVA Sungrow Power Supply Co Ltd SG110CX (AS4777-2 2020)	N/A	N/A	11/0.433	750 kVA	Type B	As per AS4777 and SAPN EG standard applicable at time of connection	Type 4	Export
308	7/12/2023	Metro East	SSD118	HH118B	0.06	0.00	0.06	0.06	Solar PV	2x 29.9 kVA Sungrow Power Supply Co Ltd SG30CX (AS4777-2 2020)	N/A	N/A	11/0.433	500 kVA	Type A	As per AS4777 and SAPN EG standard applicable at time of connection	Type 4	Export
309	7/12/2023	Metro East	SSD118	HH118B	0.11	0.00	0.11	0.10	Solar PV	1x 110 kVA Sungrow Power Supply Co Ltd SG110CX (AS4777-2 2020)	N/A	N/A	11/0.433	1000 kVA	Type A	As per AS4777 and SAPN EG standard applicable at time of connection	Type 4	Export
310	5/12/2023	Metro West	SSD829	AP829D	0.11	0.00	0.11	0.01	Solar PV	1x 110 kVA Sungrow Power Supply Co Ltd SG110CX (AS4777-2 2020)	N/A	N/A	11/0.433	750 kVA	Type A	As per AS4777 and SAPN EG standard applicable at time of connection	Type 4	Export
311	5/12/2023	Metro West	SSD829	AP829D	0.80	0.00	0.80	0.00	Solar PV + Storage	1x 200 kVA EVO EVO Power Neo 200, 6x 100 kVA Fronius Australia Pty Ltd Tauro Eco 100-3-D (AS4777-2 2020)	N/A	N/A	11/0.433	2000 kVA	Type B	As per AS4777 and SAPN EG standard applicable at time of connection	Type 4	Non Export

No.	Connection Date	Region	Substations	Feeder ID	Inverter Installed Capacity (MVA)	Rotating Installed Capacity (MVA)	Total Installed Capacity (MVA)	Allowable Export (MW)	Generation Fuel	Generating Unit Make & Model	Fault Contributions		Transformer Info		Protection and communication systems	Voltage control and reactive power capability	Single Line Diagram of the Connection Arrangement	Export Details
											At Connection Point	Ph-Ground	Voltage (kV)	Rating				
312	28/11/2023	Murraylands	SSD206	LM53	0.84	1.00	1.84	0.00	Other + Solar PV	1x 1000 kVA Cummins ELC-C1000GF,31x 27 kVA Fronius Australia Pty Ltd Eco 27.0-3-S (AS4777-2 2020)	0.5	0.5	11/0.433	2000 kVA	Type K	As per AS4777 and SAPN EG standard applicable at time of connection	Type 3	Non Export
313	24/11/2023	Metro North	SSD422	EL03	0.06	0.00	0.06	0.04	Solar PV + Storage	1x 10 kVA KACO new energy GmbH 12.0 TL3,1x 12.5 kVA Fronius International GmbH 12.5-3-M,1x 29.9 kVA GoodWe Technologies Co Ltd GW29.9K-ET (AS4777-2 2020)	N/A	N/A	11/0.433	200 kVA	Type A	As per AS4777 and SAPN EG standard applicable at time of connection	Type 4	Export
314	21/11/2023	Metro North	SSD273	GA43	0.10	0.00	0.10	0.10	Solar PV	4x 25 kVA Fronius Australia Pty Ltd Eco 25.0-3-S (AS4777-2 2020)	N/A	N/A	11/0.433	315 kVA	Type A	As per AS4777 and SAPN EG standard applicable at time of connection	Type 4	Export
315	20/11/2023	Metro East	SSD432	HH432E	0.10	0.00	0.10	0.10	Solar PV	1x 100 kVA SolarEdge Technologies Ltd SE100K (AS4777-2 2020)	N/A	N/A	11/0.433	1000 kVA	Type A	As per AS4777 and SAPN EG standard applicable at time of connection	Type 4	Export
316	16/11/2023	Upper North	SSD371	SD32200	0.19	0.00	0.19	0.19	Solar PV	1x 30 kVA Jiangsu Zeversolar New Energy Co Ltd Zevelution Pro 33K,1x 99.99 kVA GoodWe Technologies Co Ltd GW100K-HT (AS4777-2 2020)	N/A	N/A	33/0.433	1000 kVA	Type A	As per AS4777 and SAPN EG standard applicable at time of connection	Type 4	Export
317	16/11/2023	South East	SSD198	MI32	0.16	0.00	0.16	0.10	Solar PV	1x 50 kVA Sungrow Power Supply Co Ltd SG50CX (AS4777-2 2020),1x 110 kVA Sungrow Power Supply Co Ltd SG110CX (AS4777-2 2020)	N/A	N/A	11/0.433	750 kVA	Type A	As per AS4777 and SAPN EG standard applicable at time of connection	Type 4	Export
318	14/11/2023	Metro North	SSD422	EL04	0.10	0.00	0.10	0.05	Solar PV	1x 50 kVA SMA Australia Pty Ltd STP50-41,1x 50 kVA SMA AUSTRALIA PTY LTD STP 50-41 (AS4777-2 2020)	N/A	N/A	11/0.433	1000 kVA	Type A	As per AS4777 and SAPN EG standard applicable at time of connection	Type 4	Export
319	13/11/2023	Metro South	SSD131	ME131D	0.11	0.00	0.11	0.15	Solar PV	1x 27 kVA Fronius Australia 27.0-3-S	N/A	N/A	11/0.433	2000 kVA	Type A	As per AS4777 and SAPN EG standard applicable at time of connection	Type 4	Export
320	10/11/2023	Metro East	SSD428	HH428D	0.06	0.00	0.06	0.06	Solar PV	6x 10 kVA SolarEdge Technologies Ltd SE10K-AUB (AS4777-2 2020)	N/A	N/A	11/0.433	300 kVA	Type A	As per AS4777 and SAPN EG standard applicable at time of connection	Type 4	Export
321	9/11/2023	Metro East	SSD341	HH341K	0.04	0.00	0.04	0.02	Solar PV + Storage	136x 0.23 kVA Enphase Energy Australia Pty Ltd S230-60-LN-2-AU,1x 5 kVA Tesla Inc AC Powerwall (AS4777-2 2020)	N/A	N/A	11/0.433	500 kVA	Type A	As per AS4777 and SAPN EG standard applicable at time of connection	Type 4	Export
322	8/11/2023	Metro South	SSD350	SM350G	0.10	0.00	0.10	0.03	Solar PV + Storage	21x 4.6 kVA Sonnen GmbH Hybrid 9.53/15	N/A	N/A	11/0.433	315 kVA	Type A	As per AS4777 and SAPN EG standard applicable at time of connection	Type 4	Export
323	7/11/2023	South East	SSD140	SD45300	4.98	0.00	4.98	4.98	Solar PV + Storage	1x 1300 kVA Tesla Motors Australia Pty Ltd Megapack 2,21x 175 kVA (ABB) Power-One Italy S.p.A PVS-175-TL1-WB-SX2-IFANNMN	N/A	N/A	33		Type C	As per AS4777 and SAPN EG standard applicable at time of connection	Type 2	Export
324	31/10/2023	Metro East	SSD145	HH145B	0.10	0.00	0.10	0.01	Solar PV	1x 100 kVA SolarEdge Technologies Ltd SE100K (AS4777-2 2020)	N/A	N/A	11/0.433	500 kVA	Type A	As per AS4777 and SAPN EG standard applicable at time of connection	Type 4	Export
325	31/10/2023	Metro South	SSD410	SM410A	0.11	0.00	0.11	0.11	Solar PV	1x 110 kVA Sungrow Power Supply Co Ltd SG110CX (AS4777-2 2020)	N/A	N/A	11/0.433	300 kVA	Type A	As per AS4777 and SAPN EG standard applicable at time of connection	Type 4	Export

No.	Connection Date	Region	Substations	Feeder ID	Inverter Installed Capacity (MVA)	Rotating Installed Capacity (MVA)	Total Installed Capacity (MVA)	Allowable Export (MW)	Generation Fuel	Generating Unit Make & Model	Fault Contributions		Transformer Info		Protection and communication systems	Voltage control and reactive power capability	Single Line Diagram of the Connection Arrangement	Export Details
											At Connection Point	Ph-Ground	Voltage (kV)	Rating				
326	26/10/2023	Metro East	SSD118	HH118B	0.19	0.00	0.19	0.20	Solar PV	1x 110 kVA Sungrow Power Supply Co Ltd SG110CX (AS4777-2 2020), 1x 0.25 kVA Altenergy Power System Inc YC250A, 157x 0.5 kVA Altenergy Power System Inc YC500A	N/A	N/A	11/0.433	750 kVA	Type A	As per AS4777 and SAPN EG standard applicable at time of connection	Type 4	Export
327	25/10/2023	Metro West	SSD427	ME427B	0.11	0.00	0.11	0.11	Solar PV	1x 110 kVA SUNGROW AUSTRALIA GROUP PTY LTD SC110CX	N/A	N/A	11/0.433	150 kVA	Type A	As per AS4777 and SAPN EG standard applicable at time of connection	Type 4	Export
328	25/10/2023	Metro West	SSD829	AP829E	0.06	0.00	0.06	0.06	Solar PV	1x 27.6 kVA (ABB) Power-One Italy S.p.A TRIO-27.6-TL-OUTD-S2-400, 2x 15 kVA Fronius Australia Pty Ltd Symo 15.0-3-M (AS4777-2 2020)	N/A	N/A	11/0.433	300 kVA	Type A	As per AS4777 and SAPN EG standard applicable at time of connection	Type 4	Export
329	25/10/2023	Murraylands	SSD815	SD43100	4.95	0.00	4.95	4.95	Solar PV + Storage	1x 4950 kVA Sungrow SG4950HV-MV	N/A	N/A	33		Type C	As per AS4777 and SAPN EG standard applicable at time of connection	Type 2	Export
330	21/10/2023	Eastern Hills	SSD218	MTB51	0.11	0.00	0.11	0.09	Solar PV	1x 110 kVA Sungrow Power Supply Co Ltd SG110CX (AS4777-2 2020)	N/A	N/A	11/0.433	500 kVA	Type A	As per AS4777 and SAPN EG standard applicable at time of connection	Type 4	Export
331	20/10/2023	Metro South	SSD544	NL544B	0.10	0.00	0.10	0.10	Solar PV	1x 100 kVA Fronius Australia Agilo 100.0-3	N/A	N/A	11/0.433	1000 kVA	Type A	As per AS4777 and SAPN EG standard applicable at time of connection	Type 4	Export
332	19/10/2023	Metro West	SSD829	AP829F	0.28	0.00	0.28	0.00	Solar PV + Storage	1x 110 kVA Delta Electronics Inc PCS100HV (AS4777-2 2020), 1x 82.8 kVA SolarEdge Technologies Ltd SE82.8K (AS4777-2 2020)	N/A	N/A	11/0.433	1000 kVA	Type B	As per AS4777 and SAPN EG standard applicable at time of connection	Type 4	Non Export
333	18/10/2023	Metro North	SSD260	EL260C	0.08	0.00	0.08	0.08	Solar PV	4x 20 kVA Fronius Australia Pty Ltd Symo 20.0-3-M (AS4777-2 2020)	N/A	N/A	11/0.433	300 kVA	Type A	As per AS4777 and SAPN EG standard applicable at time of connection	Type 4	Export
334	17/10/2023	Metro North	SSD273	EL15	0.08	0.00	0.08	0.08	Solar PV	3x 25 kVA Fronius Australia Pty Ltd Eco 25.0-3-S (AS4777-2 2020)	N/A	N/A	11/0.433	100 kVA	Type A	As per AS4777 and SAPN EG standard applicable at time of connection	Type 4	Export
335	17/10/2023	Murraylands	SSD151	MB15	0.10	0.00	0.10	0.00	Solar PV	2x 50 kVA JIANGSU GOODWE POWER SUPPLY TECHNOLOGY CO LTD GEP50-10 (AS4777-2 2020)	N/A	N/A	11/0.433	750 kVA	Type A	As per AS4777 and SAPN EG standard applicable at time of connection	Type 4	Non Export
336	17/10/2023	South East	SSD158	NA01	0.22	0.00	0.22	0.00	Solar PV	2x 110 kVA Sungrow Power Supply Co Ltd SG110CX (AS4777-2 2020)	N/A	N/A	11/0.433	750 kVA	Type B	As per AS4777 and SAPN EG standard applicable at time of connection	Type 4	Non Export
337	13/10/2023	Metro West	SSD829	AP829K	0.10	0.00	0.10	0.10	Solar PV	1x 99.99 kVA JIANGSU GOODWE POWER SUPPLY TECHNOLOGY CO LTD GW100K-HT (AS4777-2 2020)	N/A	N/A	11/0.433	500 kVA	Type A	As per AS4777 and SAPN EG standard applicable at time of connection	Type 4	Export
338	12/10/2023	Riverland	SSD399	BM41	1.10	0.00	1.10	0.95	Storage	2x 550 kVA Sungrow Power Supply Co Ltd SC500TL	N/A	N/A	11		Type C	As per AS4777 and SAPN EG standard applicable at time of connection	Type 2	Export
339	11/10/2023	Mid North	SSD191	CL06	0.04	0.00	0.04	0.02	Solar PV	1x 15 kVA Fronius Australia Pty Ltd Symo 15.0-3-M (AS4777-2 2020), 1x 10 kVA Fronius International GmbH Symo 10.0-3-M	N/A	N/A	11/0.433	20 kVA	Type A	As per AS4777 and SAPN EG standard applicable at time of connection	Type 4	Export
340	11/10/2023	Metro South	SSD402	SM402D	0.11	0.00	0.11	0.11	Solar PV	2x 55 kVA GoodWe GEP50-10 (AS4777-2 2020)	N/A	N/A	11/0.433	750 kVA	Type A	As per AS4777 and SAPN EG standard applicable at time of connection	Type 4	Export

No.	Connection Date	Region	Substations	Feeder ID	Inverter Installed Capacity (MVA)	Rotating Installed Capacity (MVA)	Total Installed Capacity (MVA)	Allowable Export (MW)	Generation Fuel	Generating Unit Make & Model	Fault Contributions		Transformer Info		Protection and communication systems	Voltage control and reactive power capability	Single Line Diagram of the Connection Arrangement	Export Details
											At Connection Point	Ph-Ground	Voltage (kV)	Rating				
341	9/10/2023	Upper North	SSD277	KA22	0.09	0.00	0.09	0.09	Solar PV	3x 17.5 kVA Fronius International GmbH Symo 17.5-3-M, 2x 15 kVA Fronius Australia Pty Ltd Symo 15.0-3-M (AS4777-2 2020), 1x 7 kVA Fronius International GmbH Symo 7.0-3-M	N/A	N/A	11/0.433	500 kVA	Type A	As per AS4777 and SAPN EG standard applicable at time of connection	Type 4	Export
342	6/10/2023	CBD	SSD366	CBD366F	0.11	0.00	0.11	0.11	Solar PV	1x 110 kVA Sungrow Power Supply Co Ltd SG110CX	N/A	N/A	11/0.433	2000 kVA	Type A	As per AS4777 and SAPN EG standard applicable at time of connection	Type 4	Export
343	6/10/2023	CBD	SSD366	CBD366L	0.11	0.00	0.11	0.11	Solar PV	1x 110 kVA Sungrow Power Supply Co Ltd SG110CX-P2 (AS4777-2 2020)	N/A	N/A	11/0.433	750 kVA	Type A	As per AS4777 and SAPN EG standard applicable at time of connection	Type 4	Export
344	5/10/2023	Riverland	SSD398	BM12	0.41	0.00	0.41	0.08	Solar PV	4x 82.8 kVA SolarEdge Technologies Ltd SE82.8K (AS4777-2 2020), 1x 27.6 kVA SolarEdge Technologies Ltd SE27.6K	N/A	N/A	11/0.433	1500 kVA	Type B	As per AS4777 and SAPN EG standard applicable at time of connection	Type 4	Export
345	27/09/2023	Eyre Peninsula	SSD803	PL803C	0.08	0.00	0.08	0.08	Solar PV	2x 27 kVA Fronius Australia Pty Ltd Eco 27.0-3-S (AS4777-2 2020), 1x 27 kVA Fronius Australia Pty Ltd Eco 27.0-3-S (AS4777-2 2020)	N/A	N/A	11/0.433	315 kVA	Type A	As per AS4777 and SAPN EG standard applicable at time of connection	Type 4	Export
346	27/09/2023	Eastern Hills	SSD777	MTB13	0.22	0.00	0.22	0.20	Solar PV	2x 110 kVA Sungrow Power Supply Co Ltd SG110CX (AS4777-2 2020)	N/A	N/A	11/0.433	1500 kVA	Type B	As per AS4777 and SAPN EG standard applicable at time of connection	Type 4	Export
347	25/09/2023	Eastern Hills	SSD777	MTB10	0.06	0.00	0.06	0.06	Solar PV	1x 55 kVA Sungrow SG50CX (AS4777-2 2020)	N/A	N/A	11/0.433	750 kVA	Type A	As per AS4777 and SAPN EG standard applicable at time of connection	Type 4	Export
348	22/09/2023	Metro North	SSD501	SA41	0.08	0.00	0.08	0.10	Solar PV	5x 15 kVA Fronius Australia Pty Ltd Symo 15.0-3-M (AS4777-2 2020)	N/A	N/A	11/0.433	1000 kVA	Type A	As per AS4777 and SAPN EG standard applicable at time of connection	Type 4	Export
349	21/09/2023	Metro East	SSD121	HH121H	0.05	0.00	0.05	0.05	Solar PV	1x 50 kVA Sungrow Power Supply Co Ltd SG50CX (AS4777-2 2020)	N/A	N/A	11/0.433	200 kVA	Type A	As per AS4777 and SAPN EG standard applicable at time of connection	Type 4	Export
350	21/09/2023	Metro East	SSD102	HH102B	0.11	0.00	0.11	0.09	Solar PV	1x 110 kVA Sungrow Power Supply Co Ltd SG110CX (AS4777-2 2020)	N/A	N/A	11/0.433	200 kVA	Type A	As per AS4777 and SAPN EG standard applicable at time of connection	Type 4	Export
351	19/09/2023	Mid North	SSD230	GA22	0.20	0.00	0.20	0.10	Solar PV	1x 25 kVA Fronius Australia 25.0-3-S, 1x 25 kVA Fronius Australia Pty Ltd Eco 25.0-3-S (AS4777-2 2020)	N/A	N/A	11/0.433	500 kVA	Type B	As per AS4777 and SAPN EG standard applicable at time of connection	Type 4	Export
352	14/09/2023	Metro North	SSD744	SA36	0.08	0.00	0.08	0.03	Solar PV	2x 27 kVA Fronius Australia Pty Ltd Eco 27.0-3-S (AS4777-2 2020), 1x 27.6 kVA (ABB) Power-One Italy S.p.A TRIO-27.6-TL-OUTD-400	10.6	N/A	11/0.433	315 kVA	Type A	As per AS4777 and SAPN EG standard applicable at time of connection	Type 4	Export
353	14/09/2023	South East	SSD831	MG04	0.11	0.00	0.11	0.08	Solar PV	2x 55 kVA Sungrow SG50CX (AS4777-2 2020)	N/A	N/A	11/0.433	150 kVA	Type A	As per AS4777 and SAPN EG standard applicable at time of connection	Type 4	Export
354	13/09/2023	Metro North	SSD407	SA15	0.22	0.00	0.22	0.20	Solar PV	2x 110 kVA Sungrow Power Supply Co Ltd SG110CX (AS4777-2 2020)	N/A	N/A	11		Type C	As per AS4777 and SAPN EG standard applicable at time of connection	Type 1	Export
355	6/09/2023	Metro West	SSD146	AP146A	0.20	0.00	0.20	0.20	Solar PV	1x 100 kVA Fronius Australia Pty Ltd Tauro Eco 100-3-D (AS4777-2 2020), 5x 20 kVA SMA Australia Pty Ltd STP20000TL-30	N/A	N/A	11/0.433	500 kVA	Type C	As per AS4777 and SAPN EG standard applicable at time of connection	Type 4	Export

No.	Connection Date	Region	Substations	Feeder ID	Inverter Installed Capacity (MVA)	Rotating Installed Capacity (MVA)	Total Installed Capacity (MVA)	Allowable Export (MW)	Generation Fuel	Generating Unit Make & Model	Fault Contributions		Transformer Info		Protection and communication systems	Voltage control and reactive power capability	Single Line Diagram of the Connection Arrangement	Export Details
											At Connection Point	Ph-Ground	Voltage (kV)	Rating				
356	5/09/2023	Metro South	SSD411	SM411F	0.08	0.00	0.08	0.10	Solar PV	1x 27.6 kVA (ABB) Power-One Italy S.p.A TRIO-27.6-TL-OUTD-400	N/A	N/A	11/0.433	300 kVA	Type A	As per AS4777 and SAPN EG standard applicable at time of connection	Type 4	Export
357	4/09/2023	South East	SSD195	MG05	0.11	0.00	0.11	0.11	Solar PV	1x 110 kVA Sungrow Power Supply Co Ltd SG110CX (AS4777-2 2020)	N/A	N/A	11/0.433	315 kVA	Type A	As per AS4777 and SAPN EG standard applicable at time of connection	Type 4	Export
358	4/09/2023	Metro East	SSD121	HH121D	0.06	0.00	0.06	0.06	Solar PV	1x 55 kVA Sungrow SG50CX (AS4777-2 2020)	N/A	N/A	11/0.433	300 kVA	Type A	As per AS4777 and SAPN EG standard applicable at time of connection	Type 4	Export
359	31/08/2023	Riverland	SSD122	BS0147	1.10	0.00	1.10	1.08	Storage	2x 550 kVA Sungrow Power Supply Co Ltd SC500TL	N/A	N/A	3.3		Type C	As per AS4777 and SAPN EG standard applicable at time of connection	Type 2	Export
360	24/08/2023	CBD	SSD367	CBD367L	0.05	0.00	0.05	0.05	Solar PV	1x 50 kVA SolarEdge Technologies Ltd SE50K (AS4777-2 2020)	N/A	N/A	11/0.433	1500 kVA	Type A	As per AS4777 and SAPN EG standard applicable at time of connection	Type 4	Export
361	22/08/2023	Metro South	SSD210	NL210B	0.11	0.00	0.11	0.11	Solar PV	1x 110 kVA Sungrow Power Supply Co Ltd SG110CX (AS4777-2 2020)	N/A	N/A	11/0.433	750 kVA	Type A	As per AS4777 and SAPN EG standard applicable at time of connection	Type 4	Export
362	22/08/2023	Metro East	SSD429	HH429B	0.11	0.00	0.11	0.11	Solar PV	1x 110 kVA Sungrow Power Supply Co Ltd SG110CX (AS4777-2 2020)	N/A	N/A	11/0.433	500 kVA	Type A	As per AS4777 and SAPN EG standard applicable at time of connection	Type 4	Export
363	22/08/2023	Metro East	SSD177	HH177D	0.11	0.00	0.11	0.11	Solar PV	1x 110 kVA SUNGROW AUSTRALIA GROUP PTY LTD SC110CX	N/A	N/A	11/0.433	300 kVA	Type A	As per AS4777 and SAPN EG standard applicable at time of connection	Type 4	Export
364	18/08/2023	Metro North	SSD414	EL07	0.09	0.00	0.09	0.09	Solar PV	3x 29.9 kVA GoodWe Technologies Co Ltd GW29.9K-MT (AS4777-2 2020)	N/A	N/A	11/0.433	750 kVA	Type A	As per AS4777 and SAPN EG standard applicable at time of connection	Type 4	Export
365	15/08/2023	Metro North	SSD422	EL24	0.07	0.00	0.07	0.02	Solar PV	1x 50 kVA SMA Australia Pty Ltd STP 50-41 (AS4777-2 2020), 1x 20 kVA SMA Australia Pty Ltd STP20000TL-30	N/A	N/A	11/0.433	500 kVA	Type A	As per AS4777 and SAPN EG standard applicable at time of connection	Type 4	Export
366	11/08/2023	CBD	SSD366	CBD366M	0.07	0.00	0.07	0.07	Solar PV	1x 66.6 kVA SolarEdge Technologies Ltd SE66.6K (AS4777-2 2020)	N/A	N/A	11/0.433	500 kVA	Type A	As per AS4777 and SAPN EG standard applicable at time of connection	Type 4	Export
367	8/08/2023	Metro North	SSD273	EL15	0.08	0.00	0.08	0.03	Solar PV	3x 25 kVA Fronius Australia Pty Ltd Eco 25.0-3-S (AS4777-2 2020)	N/A	N/A	11/0.433	63 kVA	Type A	As per AS4777 and SAPN EG standard applicable at time of connection	Type 4	Export
368	8/08/2023	Murraylands	SSD114	SD40200	4.95	0.00	4.95	3.88	Solar PV + Storage	1x 4950 kVA Sungrow SG4950HV-MV	N/A	N/A	33		Type C	As per AS4777 and SAPN EG standard applicable at time of connection	Type 2	Export
369	8/08/2023	Metro East	SSD409	HH409A	0.16	0.00	0.16	0.16	Solar PV	1x 50 kVA Sungrow Power Supply Co Ltd SG50CX (AS4777-2 2020), 1x 110 kVA Sungrow Power Supply Co Ltd SG110CX (AS4777-2 2020)	N/A	N/A	11/0.433	1000 kVA	Type A	As per AS4777 and SAPN EG standard applicable at time of connection	Type 4	Export
370	3/08/2023	South East	SSD205	NA33	0.05	0.00	0.05	0.05	Solar PV	1x 50 kVA Sungrow Power Supply Co Ltd SG50CX (AS4777-2 2020)	N/A	N/A	11/0.433	1500 kVA	Type A	As per AS4777 and SAPN EG standard applicable at time of connection	Type 4	Export

No.	Connection Date	Region	Substations	Feeder ID	Inverter Installed Capacity (MVA)	Rotating Installed Capacity (MVA)	Total Installed Capacity (MVA)	Allowable Export (MW)	Generation Fuel	Generating Unit Make & Model	Fault Contributions		Transformer Info		Protection and communication systems	Voltage control and reactive power capability	Single Line Diagram of the Connection Arrangement	Export Details
											At Connection Point	Ph-Ground	Voltage (kV)	Rating				
371	3/08/2023	South East	SSD197	MG22	0.06	0.00	0.06	0.06	Solar PV	2x 15 kVA SolarEdge Technologies Ltd SE15K, 1x 33.3 kVA SolarEdge Technologies Ltd SE33.3K (AS4777-2 2020)	N/A	N/A	11/0.433	150 kVA	Type A	As per AS4777 and SAPN EG standard applicable at time of connection	Type 4	Export
372	3/08/2023	South East	SSD205	NA32	0.05	0.00	0.05	0.05	Solar PV	1x 50 kVA Sungrow Power Supply Co Ltd SG50CX (AS4777-2 2020)	N/A	N/A	11/0.433	500 kVA	Type A	As per AS4777 and SAPN EG standard applicable at time of connection	Type 4	Export
373	3/08/2023	Metro South	SSD234	NL234B	0.05	0.00	0.05	0.05	Solar PV	2x 25 kVA Fronius Australia Pty Ltd Eco 25.0-3-S (AS4777-2 2020)	N/A	N/A	11/0.433	315 kVA	Type A	As per AS4777 and SAPN EG standard applicable at time of connection	Type 4	Export
374	3/08/2023	Metro East	SSD341	HH341F	0.09	0.00	0.09	0.09	Solar PV + Storage	1x 5 kVA SONNEN AUSTRALIA PTY LIMITED sonnenBatterie Evo (AS4777-2 2020), 1x 82.8 kVA SolarEdge Technologies Ltd SE82.8K (AS4777-2 2020)	N/A	N/A	11/0.433	1500 kVA	Type A	As per AS4777 and SAPN EG standard applicable at time of connection	Type 4	Export
375	3/08/2023	South East	SSD205	NA33	0.05	0.00	0.05	0.05	Solar PV	1x 50 kVA Sungrow Power Supply Co Ltd SG50CX (AS4777-2 2020)	N/A	N/A	11/0.433	1000 kVA	Type A	As per AS4777 and SAPN EG standard applicable at time of connection	Type 4	Export
376	1/08/2023	Metro North	SSD129	SA34	0.12	0.00	0.12	0.00	Solar PV	1x 50 kVA SMA Solar Technology Ag SMA Sunny Tripower CORE1 STP 50-40, 1x 20 kVA SMA AUSTRALIA PTY LTD STP20000TL-30, 1x 25 kVA SMA Solar Technology AG STP 25000TL-30	N/A	N/A	11/0.433	2000 kVA	Type A	As per AS4777 and SAPN EG standard applicable at time of connection	Type 4	Non Export
377	1/08/2023	Metro East	SSD107	HH107E	0.06	0.00	0.06	0.06	Solar PV	1x 30 kVA Ginlong Technologies Co Ltd Solis-30K-5G-AU (AS4777-2 2020)	N/A	N/A	11/0.433	300 kVA	Type A	As per AS4777 and SAPN EG standard applicable at time of connection	Type 4	Export
378	26/07/2023	Riverland	SSD420	BM52	1.10	0.00	1.10	0.96	Storage	2x 550 kVA EVO EVO Power NEO 500	N/A	N/A	11		Type C	As per AS4777 and SAPN EG standard applicable at time of connection	Type 2	Export
379	24/07/2023	Metro East	SSD403	HH403D	0.06	0.00	0.06	0.06	Solar PV	1x 55 kVA Sungrow SG50CX (AS4777-2 2020)	N/A	N/A	11/0.433	300 kVA	Type A	As per AS4777 and SAPN EG standard applicable at time of connection	Type 4	Export
380	21/07/2023	Metro West	SSD427	ME427A	0.10	0.00	0.10	0.10	Solar PV	1x 100 kVA SolarEdge Technologies Ltd SE100K (AS4777-2 2020)	N/A	N/A	11/0.433	500 kVA	Type A	As per AS4777 and SAPN EG standard applicable at time of connection	Type 4	Export
381	19/07/2023	Riverland	SSD420	BM52	0.25	0.00	0.25	0.00	Solar PV	5x 50 kVA Sungrow Power Supply Co Ltd SG50CX (AS4777-2 2020)	N/A	N/A	11/0.433	1500 kVA	Type B	As per AS4777 and SAPN EG standard applicable at time of connection	Type 4	Non Export
382	19/07/2023	Riverland	SSD420	BM52	0.09	0.00	0.09	0.09	Solar PV	1x 36 kVA Huawei Technologies Co Ltd SUN2000-36KTL-M3 (AS4777-2 2020), 1x 55 kVA Huawei Technologies Co Ltd SUN2000-50KTL-M0	N/A	N/A	11/0.433	1500 kVA	Type A	As per AS4777 and SAPN EG standard applicable at time of connection	Type 4	Export
383	18/07/2023	Metro East	SSD428	HH428F	0.11	0.00	0.11	0.11	Solar PV	1x 110 kVA Sungrow Power Supply Co Ltd SG110CX (AS4777-2 2020)	N/A	N/A	11/0.433	1500 kVA	Type A	As per AS4777 and SAPN EG standard applicable at time of connection	Type 4	Export
384	13/07/2023	Metro South	SSD111	NL111Q	0.08	0.00	0.08	0.08	Solar PV	3x 27 kVA Fronius Australia Pty Ltd Eco 27.0-3-S (AS4777-2 2020)	N/A	N/A	11/0.433	750 kVA	Type A	As per AS4777 and SAPN EG standard applicable at time of connection	Type 4	Export

No.	Connection Date	Region	Substations	Feeder ID	Inverter Installed Capacity (MVA)	Rotating Installed Capacity (MVA)	Total Installed Capacity (MVA)	Allowable Export (MW)	Generation Fuel	Generating Unit Make & Model	Fault Contributions		Transformer Info		Protection and communication systems	Voltage control and reactive power capability	Single Line Diagram of the Connection Arrangement	Export Details
											At Connection Point	Ph-Ground	Voltage (kV)	Rating				
385	12/07/2023	Metro West	SSD829	AP829F	0.22	0.00	0.22	0.09	Solar PV	2x 110 kVA SUNGROW AUSTRALIA GROUP PTY LTD SC110CX	N/A	N/A	11/0.433	1500 kVA	Type B	As per AS4777 and SAPN EG standard applicable at time of connection	Type 4	Export
386	30/06/2023	Riverland	SSD420	BM57	1.10	0.00	1.10	0.77	Storage	2x 550 kVA EVO EVO Power NEO 500	N/A	N/A	11/0.433	500 kVA	Type C	As per AS4777 and SAPN EG standard applicable at time of connection	Type 4	Export
387	30/06/2023	Metro North	SSD273	EL16	0.09	0.00	0.09	0.09	Solar PV	3x 29.9 kVA Sungrow Power Supply Co Ltd SG30CX (AS4777-2 2020)	N/A	N/A	11/0.433	315 kVA	Type A	As per AS4777 and SAPN EG standard applicable at time of connection	Type 4	Export
388	29/06/2023	Metro East	SSD103	CBD103C	0.14	0.00	0.14	0.14	Solar PV	1x 29.9 kVA Sungrow Power Supply Co Ltd SG30CX (AS4777-2 2020), 1x 110 kVA Sungrow Power Supply Co Ltd SG110CX (AS4777-2 2020)	N/A	N/A	11/0.433	2000 kVA	Type A	As per AS4777 and SAPN EG standard applicable at time of connection	Type 4	Export
389	28/06/2023	Barossa	SSD150	NU05	0.10	0.00	0.10	0.02	Solar PV	1x 99.99 kVA GoodWe Technologies Co Ltd GW100K-HT (AS4777-2 2020)	N/A	N/A	11/0.433	100 kVA	Type A	As per AS4777 and SAPN EG standard applicable at time of connection	Type 4	Export
390	28/06/2023	Eastern Hills	SSD178	GU43	0.06	0.00	0.06	0.02	Solar PV	1x 30 kVA Ginlong Technologies Co Ltd Solis-30K-5G-AU (AS4777-2 2020), 1x 29.999 kVA Ningbo Gintong Technologies Co Ltd Solis-30K-MX	N/A	N/A	11/0.433	200 kVA	Type A	As per AS4777 and SAPN EG standard applicable at time of connection	Type 4	Export
391	28/06/2023	Riverland	SSD399	BM42	4.60	0.00	4.60	3.91	Solar PV + Storage	1x 4600 kVA SMA Solar Technology Ag SC 4600 UP	N/A	N/A	11		Type C	As per AS4777 and SAPN EG standard applicable at time of connection	Type 2	Export
392	27/06/2023	South East	SSD271	MG23	0.10	0.00	0.10	0.02	Solar PV	2x 50 kVA SolarEdge Technologies Ltd SE50K	N/A	N/A	11/0.433	150 kVA	Type A	As per AS4777 and SAPN EG standard applicable at time of connection	Type 4	Export
393	27/06/2023	Mid North	SSD191	CL05	0.17	0.00	0.17	0.02	Solar PV	2x 82.8 kVA SolarEdge Technologies Ltd SE82.8K	N/A	N/A	11/0.433	315 kVA	Type A	As per AS4777 and SAPN EG standard applicable at time of connection	Type 4	Export
394	27/06/2023	Metro East	SSD118	HH118E	0.08	0.00	0.08	0.02	Solar PV	1x 82.8 kVA SolarEdge Technologies Ltd SE82.8K	N/A	N/A	11/0.433	750 kVA	Type A	As per AS4777 and SAPN EG standard applicable at time of connection	Type 4	Export
395	27/06/2023	Barossa	SSD681	NU29	0.77	0.00	0.77	0.00	Solar PV	7x 110 kVA Sungrow Power Supply Co Ltd SG110CX (AS4777-2 2020)	N/A	N/A	11/0.433	2000 kVA	Type B	As per AS4777 and SAPN EG standard applicable at time of connection	Type 4	Non Export
396	27/06/2023	Barossa	SSD681	NU29	0.33	0.00	0.33	0.00	Solar PV	3x 110 kVA Sungrow Power Supply Co Ltd SG110CX (AS4777-2 2020)	N/A	N/A	11/0.433	1500 kVA	Type B	As per AS4777 and SAPN EG standard applicable at time of connection	Type 4	Non Export
397	27/06/2023	Eyre Peninsula	SSD717	PL15	0.08	0.00	0.08	0.02	Solar PV	1x 82.8 kVA SolarEdge Technologies Ltd SE82.8K	N/A	N/A	11/0.433	500 kVA	Type A	As per AS4777 and SAPN EG standard applicable at time of connection	Type 4	Export
398	27/06/2023	Barossa	SSD681	NU29	0.27	0.00	0.27	0.00	Solar PV	2x 110 kVA Sungrow Power Supply Co Ltd SG110CX (AS4777-2 2020), 1x 50 kVA Sungrow Power Supply Co Ltd SG50CX (AS4777-2 2020)	N/A	N/A	11/0.433	2000 kVA	Type B	As per AS4777 and SAPN EG standard applicable at time of connection	Type 4	Non Export

No.	Connection Date	Region	Substations	Feeder ID	Inverter Installed Capacity (MVA)	Rotating Installed Capacity (MVA)	Total Installed Capacity (MVA)	Allowable Export (MW)	Generation Fuel	Generating Unit Make & Model	Fault Contributions		Transformer Info		Protection and communication systems	Voltage control and reactive power capability	Single Line Diagram of the Connection Arrangement	Export Details
											At Connection Point	Ph-Ground	Voltage (kV)	Rating				
399	27/06/2023	Eyre Peninsula	SSD196	PL07	0.10	0.00	0.10	0.02	Solar PV	2x 15 kVA SMA Australia Pty Ltd STP 15000TL-10,1x 20 kVA Fronius Australia Pty Ltd Symo 20.0-3-M (AS4777-2 2020),2x 25 kVA Fronius Australia Pty Ltd Eco 25.0-3-S (AS4777-2 2020)	N/A	N/A	11/0.433	300 kVA	Type A	As per AS4777 and SAPN EG standard applicable at time of connection	Type 4	Export
400	27/06/2023	Upper North	SSD219	PP01	0.04	0.00	0.04	0.02	Solar PV + Storage	1x 25 kVA SMA Australia Pty Ltd STP25000TL-30,1x 4.6 kVA Sonnen GmbH Hybrid 9.53/15	N/A	N/A	11/0.433	150 kVA	Type A	As per AS4777 and SAPN EG standard applicable at time of connection	Type 4	Export
401	27/06/2023	Barossa	SSD681	NU29	0.27	0.00	0.27	0.00	Solar PV	1x 50 kVA Sungrow Power Supply Co Ltd SG50CX (AS4777-2 2020),2x 110 kVA Sungrow Power Supply Co Ltd SG110CX (AS4777-2 2020)	N/A	N/A	11/0.433	1000 kVA	Type B	As per AS4777 and SAPN EG standard applicable at time of connection	Type 4	Non Export
402	27/06/2023	Barossa	SSD681	NU29	0.11	0.00	0.11	0.11	Solar PV	1x 110 kVA Sungrow Power Supply Co Ltd SG110CX (AS4777-2 2020)	N/A	N/A	11/0.433	500 kVA	Type A	As per AS4777 and SAPN EG standard applicable at time of connection	Type 4	Export
403	27/06/2023	Barossa	SSD681	NU29	0.55	0.00	0.55	0.00	Solar PV	5x 110 kVA Sungrow Power Supply Co Ltd SG110CX (AS4777-2 2020)	N/A	N/A	11/0.433	2000 kVA	Type B	As per AS4777 and SAPN EG standard applicable at time of connection	Type 4	Non Export
404	26/06/2023	Metro West	SSD227	AP227B	0.08	0.00	0.08	0.08	Solar PV	1x 50 kVA SolarEdge Technologies Ltd SE50K,1x 30 kVA SolarEdge Technologies Ltd SE30K	N/A	N/A	11/0.433	200 kVA	Type A	As per AS4777 and SAPN EG standard applicable at time of connection	Type 4	Export
405	26/06/2023	Metro West	SSD347	ME347F	0.06	0.00	0.06	0.06	Solar PV	3x 20 kVA Fronius International GmbH Symo 20.0-3-M	N/A	N/A	11/0.433	200 kVA	Type A	As per AS4777 and SAPN EG standard applicable at time of connection	Type 4	Export
406	26/06/2023	Fleurieu Peninsula	SSD317	MV31	0.05	0.00	0.05	0.02	Solar PV	1x 20 kVA Fronius International GmbH Symo 20.0-3-M,1x 25 kVA Fronius Australia 25.0-3-S	N/A	N/A	11/0.433	200 kVA	Type A	As per AS4777 and SAPN EG standard applicable at time of connection	Type 4	Export
407	26/06/2023	Fleurieu Peninsula	SSD317	MV31	0.04	0.00	0.04	0.02	Solar PV	1x 17 kVA SolarEdge Technologies Ltd SE17K,1x 27.6 kVA SolarEdge Technologies Ltd SE27.6K	N/A	N/A	11/0.433	315 kVA	Type A	As per AS4777 and SAPN EG standard applicable at time of connection	Type 4	Export
408	26/06/2023	Eastern Hills	SSD218	MTB52	0.08	0.00	0.08	0.02	Solar PV + Storage	1x 20 kVA Fronius International GmbH Symo 20.0-3-M,2x 4.6 kVA Alpha ESS Co Ltd. SMILE5-INV,3x 4.6 kVA SMA Solar Technology AG SB5000TL-21,2x 17.5 kVA Fronius International GmbH Symo 17.5-3-M	N/A	N/A	11/0.433	100 kVA	Type A	As per AS4777 and SAPN EG standard applicable at time of connection	Type 4	Export
409	26/06/2023	Eyre Peninsula	SSD803	PL803A	0.08	0.00	0.08	0.02	Solar PV	1x 22 kVA Huawei Technologies Co Ltd SUN2000-20KTL,1x 55 kVA Huawei Technologies Co Ltd SUN2000-50KTL-M0	N/A	N/A	11/0.433	200 kVA	Type A	As per AS4777 and SAPN EG standard applicable at time of connection	Type 4	Export
410	26/06/2023	Metro West	SSD520	SA520J	0.19	0.00	0.19	0.19	Solar PV	1x 82.8 kVA SolarEdge Technologies Ltd SE82.8K (AS4777-2 2020),1x 100 kVA SolarEdge Technologies Ltd SE100K (AS4777-2 2020),18x 0.349 kVA Enphase Energy Australia Pty Ltd IQ7A-72-2-INT (AS4777-2 2020)	N/A	N/A	11/0.433	750 kVA	Type A	As per AS4777 and SAPN EG standard applicable at time of connection	Type 4	Export
411	26/06/2023	Metro South	SSD172	SM172C	0.12	0.00	0.12	0.11	Solar PV + Storage	1x 110 kVA Sungrow Power Supply Co Ltd SG110CX,2x 5 kVA Tesla Motors Australia Pty Ltd AC Powerwall (AS4777-2 2020)	N/A	N/A	11/0.433	300 kVA	Type A	As per AS4777 and SAPN EG standard applicable at time of connection	Type 4	Export

No.	Connection Date	Region	Substations	Feeder ID	Inverter Installed Capacity (MVA)	Rotating Installed Capacity (MVA)	Total Installed Capacity (MVA)	Allowable Export (MW)	Generation Fuel	Generating Unit Make & Model	Fault Contributions		Transformer Info		Protection and communication systems	Voltage control and reactive power capability	Single Line Diagram of the Connection Arrangement	Export Details
											At Connection Point	Ph-Ground	Voltage (kV)	Rating				
412	26/06/2023	Metro West	SSD829	AP829G	0.09	0.00	0.09	0.09	Solar PV	1x 30 kVA SolarEdge Technologies Ltd SE30K (AS4777-2 2020),3x 10 kVA SMA Australia Pty Ltd 10000TL,1x 30 kVA SolarEdge Technologies Ltd SE30K	N/A	N/A	11/0.433	500 kVA	Type A	As per AS4777 and SAPN EG standard applicable at time of connection	Type 4	Export
413	26/06/2023	Eastern Hills	SSD473	SG13	0.10	0.00	0.10	0.06	Solar PV	3x 33.3 kVA SolarEdge Technologies Ltd SE33.3K	N/A	N/A	11/0.433	300 kVA	Type A	As per AS4777 and SAPN EG standard applicable at time of connection	Type 4	Export
414	20/06/2023	Metro North	SSD744	SA744A	0.88	0.00	0.88	0.00	Solar PV	8x 110 kVA Sungrow Power Supply Co Ltd SG110CX (AS4777-2 2020)	N/A	N/A	11/0.433	2000 kVA	Type B	As per AS4777 and SAPN EG standard applicable at time of connection	Type 4	Non Export
415	16/06/2023	Metro North	SSD129	SA34	0.10	0.00	0.10	0.10	Solar PV	1x 100 kVA Huawei Technologies Co Ltd SUN2000-100kTL-M1	N/A	N/A	11/0.433	1000 kVA	Type A	As per AS4777 and SAPN EG standard applicable at time of connection	Type 4	Export
416	9/06/2023	South East	SSD198	MI20	0.05	0.00	0.05	0.04	Solar PV	1x 50 kVA Sungrow Power Supply Co Ltd SG50CX (AS4777-2 2020)	N/A	N/A	11/0.433	200 kVA	Type A	As per AS4777 and SAPN EG standard applicable at time of connection	Type 4	Export
417	8/06/2023	Metro West	SSD520	SA520C	0.08	0.00	0.08	0.02	Solar PV	1x 82.8 kVA SolarEdge Technologies Ltd SE82.8K	N/A	N/A	11/0.433	750 kVA	Type A	As per AS4777 and SAPN EG standard applicable at time of connection	Type 4	Export
418	8/06/2023	Metro West	SSD829	AP829F	0.86	0.00	0.86	0.20	Solar PV + Storage	2x 110 kVA SMA AUSTRALIA PTY LTD STP 110-60 (AS4777-2 2020),4x 50 kVA SMA Solar Technology Ag SMA Sunny Tripower CORE1 STP 50-40,1x 437.5 kVA Shenzhen Sinexcel Electric Co Ltd PWS1-500KTL-EX-7M	N/A	N/A	11/0.433	500 kVA	Type B	As per AS4777 and SAPN EG standard applicable at time of connection	Type 4	Export
419	8/06/2023	South East	SSD332	MG17	0.11	0.00	0.11	0.05	Solar PV	1x 110 kVA Sungrow Power Supply Co Ltd SG110CX-P2 (AS4777-2 2020)	N/A	N/A	11/0.433	200 kVA	Type A	As per AS4777 and SAPN EG standard applicable at time of connection	Type 4	Export
420	6/06/2023	Eastern Hills	SSD218	MTB53	0.08	0.00	0.08	0.08	Solar PV	1x 82.8 kVA SolarEdge Technologies Ltd SE82.8K (AS4777-2 2020)	N/A	N/A	11/0.433	1000 kVA	Type A	As per AS4777 and SAPN EG standard applicable at time of connection	Type 4	Export
421	6/06/2023	Metro South	SSD116	ME116A	0.11	0.00	0.11	0.10	Solar PV	1x 110 kVA SUNGROW AUSTRALIA GROUP PTY LTD SC110CX	N/A	N/A	11/0.433	500 kVA	Type A	As per AS4777 and SAPN EG standard applicable at time of connection	Type 4	Export
422	6/06/2023	CBD	SSD366	CBD366B	0.11	0.00	0.11	0.11	Solar PV	1x 110 kVA Sungrow Power Supply Co Ltd SG110CX (AS4777-2 2020)	N/A	N/A	11/0.433	750 kVA	Type A	As per AS4777 and SAPN EG standard applicable at time of connection	Type 4	Export
423	1/06/2023	Metro West	SSD427	ME427A	0.05	0.00	0.05	0.02	Solar PV + Storage	1x 20 kVA Sungrow Power Supply Co Ltd SG20RT (AS4777-2 2020),1x 10 kVA Sungrow Power Supply Co Ltd SH10RT (AS4777-2 2020)	N/A	N/A	11/0.433	300 kVA	Type A	As per AS4777 and SAPN EG standard applicable at time of connection	Type 4	Export
424	1/06/2023	Metro West	SSD427	ME427A	0.05	0.00	0.05	0.02	Solar PV + Storage	1x 20 kVA Sungrow Power Supply Co Ltd SG20RT (AS4777-2 2020),1x 10 kVA Sungrow Power Supply Co Ltd SH10RT (AS4777-2 2020)	N/A	N/A	11/0.433	300 kVA	Type A	As per AS4777 and SAPN EG standard applicable at time of connection	Type 4	Export
425	1/06/2023	Metro North	SSD744	SA744H	0.20	0.00	0.20	0.00	Solar PV	2x 100 kVA Fronius Australia Pty Ltd Tauro Eco 100-3-D (AS4777-2 2020)	N/A	N/A	11/0.433	1500 kVA	Type B	As per AS4777 and SAPN EG standard applicable at time of connection	Type 4	Non Export

No.	Connection Date	Region	Substations	Feeder ID	Inverter Installed Capacity (MVA)	Rotating Installed Capacity (MVA)	Total Installed Capacity (MVA)	Allowable Export (MW)	Generation Fuel	Generating Unit Make & Model	Fault Contributions		Transformer Info		Protection and communication systems	Voltage control and reactive power capability	Single Line Diagram of the Connection Arrangement	Export Details
											At Connection Point	Ph-Ground	Voltage (kV)	Rating				
426	29/05/2023	Metro East	SSD177	HH177F	0.10	0.00	0.10	0.10	Solar PV	1x 99.99 kVA GoodWe Technologies Co Ltd GW100K-HT (AS4777-2 2020)	N/A	N/A	11/0.433	300 kVA	Type A	As per AS4777 and SAPN EG standard applicable at time of connection	Type 4	Export
427	29/05/2023	Metro South	SSD411	SM411C	0.09	0.00	0.09	0.20	Solar PV	1x 25 kVA Fronius Australia 25.0-3-S, 2x 5 kVA SMA Australia Pty Ltd STP5000TL-20, 3x 17.5 kVA Fronius International GmbH 17.5-3-M	N/A	N/A	11/0.433	1500 kVA	Type A	As per AS4777 and SAPN EG standard applicable at time of connection	Type 4	Export
428	25/05/2023	Riverland	SSD287	WK21	0.08	0.00	0.08	0.08	Solar PV	4x 20 kVA Fronius International GmbH Symo 20.0-3-M	N/A	N/A	11/0.433	200 kVA	Type A	As per AS4777 and SAPN EG standard applicable at time of connection	Type 4	Export
429	25/05/2023	Metro West	SSD132	AP132C	0.08	0.00	0.08	0.08	Solar PV	1x 15 kVA SMA AUSTRALIA PTY LTD STP15000TL-30, 1x 50 kVA Sungrow Power Supply Co Ltd SG50CX (AS4777-2 2020), 1x 10 kVA Samil Power Co Ltd SolarLake 10000TL	N/A	N/A	11/0.433	500 kVA	Type A	As per AS4777 and SAPN EG standard applicable at time of connection	N/A	Export
430	22/05/2023	Mid North	SSD230	GA50	0.33	0.00	0.33	0.20	Solar PV	3x 110 kVA Sungrow Power Supply Co Ltd SG110CX (AS4777-2 2020)	N/A	N/A	11/0.433	1500 kVA	Type C	As per AS4777 and SAPN EG standard applicable at time of connection	Type 4	Export
431	22/05/2023	Metro North	SSD422	EL01Y	0.11	0.00	0.11	0.11	Solar PV	1x 110 kVA Sungrow Power Supply Co Ltd SG110CX (AS4777-2 2020)	N/A	N/A	11/0.433	750 kVA	Type A	As per AS4777 and SAPN EG standard applicable at time of connection	Type 4	Export
432	22/05/2023	Metro West	SSD351	AP351E	0.11	0.00	0.11	0.11	Solar PV	1x 110 kVA Sungrow Power Supply Co Ltd SG110CX (AS4777-2 2020)	N/A	N/A	11/0.433	750 kVA	Type A	As per AS4777 and SAPN EG standard applicable at time of connection	Type 4	Export
433	18/05/2023	Fleurieu Peninsula	SSD368	VH11	0.22	0.00	0.22	0.00	Solar PV	2x 110 kVA Sungrow Power Supply Co Ltd SG110CX (AS4777-2 2020)	N/A	N/A	11/0.433	1500 kVA	Type B	As per AS4777 and SAPN EG standard applicable at time of connection	Type 4	Non Export
434	17/05/2023	Metro North	SSD744	SA36	0.08	0.00	0.08	0.03	Solar PV	1x 25 kVA SMA Solar Technology AG STP 25000TL-30, 1x 5 kVA SMA Australia Pty Ltd STP5000TL-20, 1x 50 kVA JIANGSU GOODWE POWER SUPPLY TECHNOLOGY CO LTD GW50KN-MT	N/A	N/A	11/0.433	100 kVA	Type A	As per AS4777 and SAPN EG standard applicable at time of connection	Type 4	Export
435	17/05/2023	Metro North	SSD184	EL20	0.08	0.00	0.08	0.05	Solar PV	2x 25 kVA Fronius Australia Pty Ltd Eco 25.0-3-S (AS4777-2 2020), 1x 27 kVA Fronius Australia 27.0-3-S	N/A	N/A	11/0.433	63 kVA	Type A	As per AS4777 and SAPN EG standard applicable at time of connection	Type 4	Export
436	16/05/2023	Metro North	SSD407	SA12	0.08	0.00	0.08	0.08	Solar PV	4x 20 kVA Fronius Australia Pty Ltd Symo 20.0-3-M (AS4777-2 2020)	N/A	N/A	11/0.433	750 kVA	Type A	As per AS4777 and SAPN EG standard applicable at time of connection	Type 4	Export
437	15/05/2023	Metro North	SSD744	SA744F	1.57	0.00	1.57	0.20	Solar PV	19x 82.8 kVA SolarEdge Technologies Ltd SE82.8K	N/A	N/A	11		Type B	As per AS4777 and SAPN EG standard applicable at time of connection	Type 2	Export
438	15/05/2023	Murraylands	SSD815	SD43300	4.95	0.00	4.95	0.02	Solar PV	1x 4950 kVA Sungrow SG4950HV-MV	N/A	N/A	33		Type B	As per AS4777 and SAPN EG standard applicable at time of connection	Type 2	Export
439	15/05/2023	Metro West	SSD347	ME347C	1.24	0.00	1.24	1.15	Solar PV	15x 82.8 kVA SolarEdge Technologies Ltd SE82.8K	N/A	N/A	11/0.433	1000 kVA	Type C	As per AS4777 and SAPN EG standard applicable at time of connection	Type 4	Export

No.	Connection Date	Region	Substations	Feeder ID	Inverter Installed Capacity (MVA)	Rotating Installed Capacity (MVA)	Total Installed Capacity (MVA)	Allowable Export (MW)	Generation Fuel	Generating Unit Make & Model	Fault Contributions		Transformer Info		Protection and communication systems	Voltage control and reactive power capability	Single Line Diagram of the Connection Arrangement	Export Details
											At Connection Point	Ph-Ground	Voltage (kV)	Rating				
440	15/05/2023	Eyre Peninsula	SSD337	CD02	0.10	0.00	0.10	0.19	Solar PV	1x 20 kVA Fronius International GmbH Symo 20.0-3-M, 1x 27 kVA Fronius Australia 27.0-3-S	N/A	N/A	11/0.433	315 kVA	Type A	As per AS4777 and SAPN EG standard applicable at time of connection	Type 4	Export
441	9/05/2023	Metro West	SSD139	AP139C	0.06	0.00	0.06	0.06	Solar PV	1x 27.6 kVA SolarEdge Technologies Ltd SE27.6K, 2x 15 kVA SolarEdge Technologies Ltd SE15K (AS4777-2 2020)	N/A	N/A	11/0.433	200 kVA	Type A	As per AS4777 and SAPN EG standard applicable at time of connection	Type 4	Export
442	8/05/2023	Metro West	SSD427	ME427E	0.04	0.00	0.04	0.02	Solar PV	1x 5 kVA Sungrow Power Supply Co Ltd SG5KTL, 1x 5 kVA Ginlong Technologies Co Ltd S5-GR3P5K-AU (AS4777-2 2020), 1x 15 kVA Ginlong Technologies Co Ltd S5-GR3P15K (AS4777-2 2020)	N/A	N/A	11/0.433	150 kVA	Type A	As per AS4777 and SAPN EG standard applicable at time of connection	Type 4	Export
443	4/05/2023	Metro North	SSD744	SA744C	0.10	0.00	0.10	0.00	Solar PV	4x 25 kVA Fronius Australia Pty Ltd Eco 25.0-3-S (AS4777-2 2020)	N/A	N/A	11/0.433	315 kVA	Type A	As per AS4777 and SAPN EG standard applicable at time of connection	Type 4	Non Export
444	4/05/2023	Riverland	SSD398	BM13	4.95	0.00	4.95	4.20	Solar PV + Storage	1x 4950 kVA Sungrow SG4950HV-MV	N/A	N/A	11		Type C	As per AS4777 and SAPN EG standard applicable at time of connection	Type 2	Export
445	29/04/2023	Metro South	SSD200	ME200C	0.11	0.00	0.11	0.02	Solar PV	1x 110 kVA Sungrow Power Supply Co Ltd SG110CX (AS4777-2 2020)	N/A	N/A	11/0.433	500 kVA	Type A	As per AS4777 and SAPN EG standard applicable at time of connection	Type 4	Export
446	18/04/2023	Metro North	SSD414	EL07	0.03	0.00	0.03	0.02	Solar PV + Storage	1x 27.6 kVA SolarEdge Technologies Ltd SE27.6K, 1x 5 kVA Tesla Motors Australia Pty Ltd AC Powerwall	N/A	N/A	11/0.433	100 kVA	Type A	As per AS4777 and SAPN EG standard applicable at time of connection	Type 4	Export
447	13/04/2023	Metro South	SSD115	NL115C	0.08	0.00	0.08	0.08	Solar PV	4x 20 kVA Fronius Australia Pty Ltd Symo 20.0-3-M (AS4777-2 2020)	N/A	N/A	11/0.433	750 kVA	Type A	As per AS4777 and SAPN EG standard applicable at time of connection	Type 4	Export
448	12/04/2023	Metro South	SSD111	NL111A	0.11	0.00	0.11	0.11	Solar PV	1x 110 kVA Sungrow Power Supply Co Ltd SG110CX (AS4777-2 2020)	N/A	N/A	11/0.433	1500 kVA	Type A	As per AS4777 and SAPN EG standard applicable at time of connection	Type 4	Export
449	30/03/2023	Metro West	SSD365	AP365E	0.05	0.00	0.05	0.05	Solar PV	1x 27 kVA Fronius Australia Pty Ltd Eco 27.0-3-S (AS4777-2 2020), 1x 6.5 kVA KACO new energy GmbH 7.8 TL3, 1x 14.95 kVA KACO new energy GmbH 18.0 TL3	N/A	N/A	11/0.433	500 kVA	Type A	As per AS4777 and SAPN EG standard applicable at time of connection	Type 4	Export
450	29/03/2023	Metro North	SSD407	SA20	0.06	0.00	0.06	0.00	Solar PV	2x 29.9 kVA Sungrow Power Supply Co Ltd SG30CX (AS4777-2 2020)	0	0	11/0.433	750 kVA	Type A	As per AS4777 and SAPN EG standard applicable at time of connection	Type 4	Non Export
451	29/03/2023	Metro North	SSD407	SA11	0.66	0.00	0.66	0.15	Solar PV	6x 110 kVA Sungrow Power Supply Co Ltd SG110CX (AS4777-2 2020)	0	0	11/0.433	1500 kVA	Type B	As per AS4777 and SAPN EG standard applicable at time of connection	Type 4	Export
452	29/03/2023	Metro North	SSD407	SA20	0.33	0.00	0.33	0.00	Solar PV	3x 110 kVA Sungrow Power Supply Co Ltd SG110CX (AS4777-2 2020)	0	0	11/0.433	750 kVA	Type B	As per AS4777 and SAPN EG standard applicable at time of connection	Type 4	Non Export
453	29/03/2023	Metro North	SSD407	SA11	0.22	0.00	0.22	0.15	Solar PV	2x 110 kVA Sungrow Power Supply Co Ltd SG110CX (AS4777-2 2020)	0	0	11/0.433	500 kVA	Type B	As per AS4777 and SAPN EG standard applicable at time of connection	Type 4	Export

No.	Connection Date	Region	Substations	Feeder ID	Inverter Installed Capacity (MVA)	Rotating Installed Capacity (MVA)	Total Installed Capacity (MVA)	Allowable Export (MW)	Generation Fuel	Generating Unit Make & Model	Fault Contributions		Transformer Info		Protection and communication systems	Voltage control and reactive power capability	Single Line Diagram of the Connection Arrangement	Export Details
											At Connection Point	Ph-Ground	Voltage (kV)	Rating				
454	28/03/2023	CBD	SSD412	CBD412N	0.05	0.00	0.05	0.05	Solar PV	1x 50 kVA SolarEdge Technologies Ltd SE50K (AS4777-2 2020)	N/A	N/A	11/0.433	750 kVA	Type A	As per AS4777 and SAPN EG standard applicable at time of connection	Type 4	Export
455	22/03/2023	South East	SSD140	BT06	0.08	0.00	0.08	0.02	Solar PV	4x 20 kVA Fronius Australia Pty Ltd Symo 20.0-3-M (AS4777-2 2020)	N/A	N/A	11/0.433	500 kVA	Type A	As per AS4777 and SAPN EG standard applicable at time of connection	Type 4	Export
456	22/03/2023	Metro South	SSD111	NL111Q	0.50	0.00	0.50	0.20	Solar PV + Storage	1x 110 kVA Sungrow Power Supply Co Ltd SG110CX (AS4777-2 2020), 1x 29.9 kVA Sungrow Power Supply Co Ltd SG30CX (AS4777-2 2020), 1x 110 kVA Delta Electronics Inc PCS100HV (AS4777-2 2020), 1x 25 kVA SMA Australia Pty Ltd STP25000TL-30, 9x 5 kVA Tesla Inc AC Powerwall (AS4777-2 2020)	N/A	N/A	11/0.433	500 kVA	Type C	As per AS4777 and SAPN EG standard applicable at time of connection	Type 4	Export
457	14/03/2023	Metro South	SSD131	ME131C	0.11	0.00	0.11	0.11	Solar PV	1x 110 kVA Sungrow Power Supply Co Ltd SG110CX (AS4777-2 2020)	N/A	N/A	11/0.433	315 kVA	Type A	As per AS4777 and SAPN EG standard applicable at time of connection	Type 4	Export
458	14/03/2023	Metro East	SSD177	HH177B	0.09	0.00	0.09	0.09	Solar PV	3x 30 kVA Ginlong Technologies Co Ltd S5-GC30K-AU (AS4777-2 2020)	N/A	N/A	11/0.433	200 kVA	Type A	As per AS4777 and SAPN EG standard applicable at time of connection	Type 4	Export
459	14/03/2023	Metro West	SSD139	AP139C	0.10	0.00	0.10	0.10	Solar PV	1x 100 kVA SMA Australia Pty Ltd 100-20	N/A	N/A	11/0.433	1500 kVA	Type A	As per AS4777 and SAPN EG standard applicable at time of connection	Type 4	Export
460	10/03/2023	Metro North	SSD129	SA33	0.07	0.00	0.07	0.07	Solar PV	1x 50 kVA SMA Australia Pty Ltd STP 50-40, 1x 17 kVA SMA Australia Pty Ltd STP17000TL	N/A	N/A	11/0.433	500 kVA	Type A	As per AS4777 and SAPN EG standard applicable at time of connection	Type 4	Export
461	9/03/2023	Metro North	SSD422	EL01Y	0.06	0.00	0.06	0.00	Solar PV	1x 55 kVA GoodWe Technologies Co Ltd GW50KN-MT (AS4777-2 2020)	N/A	N/A	11/0.433	1000 kVA	Type A	As per AS4777 and SAPN EG standard applicable at time of connection	Type 4	Non Export
462	9/03/2023	Metro West	SSD227	AP227D	0.11	0.00	0.11	0.11	Solar PV	1x 110 kVA Sungrow Power Supply Co Ltd SG110CX (AS4777-2 2020)	N/A	N/A	11/0.433	1000 kVA	Type A	As per AS4777 and SAPN EG standard applicable at time of connection	Type 4	Export
463	24/02/2023	Mid North	SSD153	SD37301	0.08	0.00	0.08	0.08	Solar PV	3x 27 kVA Fronius Australia Pty Ltd Eco 27.0-3-S (AS4777-2 2020)	N/A	N/A	33/0.433	200 kVA	Type A	As per AS4777 and SAPN EG standard applicable at time of connection	Type 4	Export
464	23/02/2023	Riverland	SSD235	LX43	0.17	0.00	0.17	0.10	Solar PV	3x 55 kVA GoodWe Technologies Co Ltd GW50KN-MT (AS4777-2 2020)	N/A	N/A	11/0.433	1000 kVA	Type A	As per AS4777 and SAPN EG standard applicable at time of connection	Type 4	Export
465	21/02/2023	CBD	SSD412	CBD412E	0.06	0.00	0.06	0.06	Solar PV	1x 10 kVA Sungrow Power Supply Co Ltd SG10RT, 1x 50 kVA Sungrow Power Supply Co Ltd SG50CX	N/A	N/A	11/0.433	500 kVA	Type A	As per AS4777 and SAPN EG standard applicable at time of connection	Type 4	Export
466	14/02/2023	Eastern Hills	SSD777	MTB12	0.10	0.00	0.10	0.04	Solar PV	1x 100 kVA SolarEdge Technologies Ltd SE100K (AS4777-2 2020)	N/A	N/A	11/0.433	1000 kVA	Type A	As per AS4777 and SAPN EG standard applicable at time of connection	Type 4	Export
467	14/02/2023	Metro West	SSD427	ME427B	0.11	0.00	0.11	0.11	Solar PV	1x 110 kVA Sungrow Power Supply Co Ltd SG110CX (AS4777-2 2020)	N/A	N/A	11/0.433	500 kVA	Type A	As per AS4777 and SAPN EG standard applicable at time of connection	Type 4	Export

No.	Connection Date	Region	Substations	Feeder ID	Inverter Installed Capacity (MVA)	Rotating Installed Capacity (MVA)	Total Installed Capacity (MVA)	Allowable Export (MW)	Generation Fuel	Generating Unit Make & Model	Fault Contributions		Transformer Info		Protection and communication systems	Voltage control and reactive power capability	Single Line Diagram of the Connection Arrangement	Export Details
											At Connection Point	Ph-Ground	Voltage (kV)	Rating				
468	8/02/2023	Metro East	SSD432	HH432A	0.08	0.00	0.08	0.08	Solar PV	1x 50 kVA Sungrow Power Supply Co Ltd SG50CX (AS4777-2 2020), 1x 29.9 kVA Sungrow Power Supply Co Ltd SG30CX (AS4777-2 2020)	N/A	N/A	11/0.433	500 kVA	Type A	As per AS4777 and SAPN EG standard applicable at time of connection	Type 4	Export
469	2/02/2023	Metro South	SSD131	ME131D	0.10	0.00	0.10	0.10	Solar PV	2x 50 kVA Sungrow Power Supply Co Ltd SG50CX (AS4777-2 2020)	N/A	N/A	11/0.433	500 kVA	Type A	As per AS4777 and SAPN EG standard applicable at time of connection	Type 4	Export
470	1/02/2023	Metro North	SSD800	GA800A	0.19	0.00	0.19	0.19	Solar PV	1x 110 kVA Sungrow Power Supply Co Ltd SG110CX (AS4777-2 2020), 3x 25 kVA Fronius Australia ECO 25.0-3-S	N/A	N/A	11/0.433	315 kVA	Type A	As per AS4777 and SAPN EG standard applicable at time of connection	Type 4	Export
471	1/02/2023	CBD	SSD366	CBD366E	0.09	0.00	0.09	0.09	Solar PV	3x 30 kVA SolarEdge Technologies Ltd SE30K (AS4777-2 2020)	N/A	N/A	11/0.433	500 kVA	Type A	As per AS4777 and SAPN EG standard applicable at time of connection	Type 4	Export
472	31/01/2023	Eastern Hills	SSD237	MTB21	0.07	0.00	0.07	0.00	Solar PV	1x 66.6 kVA SolarEdge Technologies Ltd SE66.6K (AS4777-2 2020)	N/A	N/A	11/0.433	300 kVA	Type A	As per AS4777 and SAPN EG standard applicable at time of connection	Type 4	Non Export
473	25/01/2023	Metro East	SSD432	HH432E	0.10	0.00	0.10	0.01	Solar PV	9x 11 kVA SMA Australia Pty Ltd 11000TL	N/A	N/A	11/0.433	1000 kVA	Type A	As per AS4777 and SAPN EG standard applicable at time of connection	Type 4	Export
474	25/01/2023	Metro North	SSD744	SA744C	0.10	0.00	0.10	0.02	Solar PV	1x 99 kVA Unknown Unknown	N/A	N/A	11/0.433	315 kVA	Type A	As per AS4777 and SAPN EG standard applicable at time of connection	Type 4	Export
475	25/01/2023	Eastern Hills	SSD248	ST34	0.06	0.00	0.06	0.06	Solar PV	2x 29.9 kVA Sungrow Power Supply Co Ltd SG30CX (AS4777-2 2020)	N/A	N/A	11/0.433	100 kVA	Type A	As per AS4777 and SAPN EG standard applicable at time of connection	Type 4	Export
476	24/01/2023	Metro South	SSD200	ME200F	0.00	0.55	0.55	0.00	Diesel Cogenerator	1x 550 kVA GENERIC NON-INVERTER Diesel 550KVA	N/A	N/A	11/0.433	2000 kVA	Type E	As per AS4777 and SAPN EG standard applicable at time of connection	Type 3	Non Export
477	24/01/2023	Mid North	SSD771	NU19	0.11	0.00	0.11	0.11	Solar PV	1x 110 kVA Sungrow Power Supply Co Ltd SG110CX (AS4777-2 2020)	N/A	N/A	11/0.433	300 kVA	Type A	As per AS4777 and SAPN EG standard applicable at time of connection	Type 4	Export
478	24/01/2023	Metro East	SSD432	HH432E	0.00	0.55	0.55	0.00	Natural Gas Generator + Solar PV	1x 550 kVA GENERIC NON-INVERTER 550kVA Natural Gas, 1x 4.6 kVA SMA Australia Pty Ltd SB5000TL-21	N/A	N/A	11		Type K	As per AS4777 and SAPN EG standard applicable at time of connection	Type 2	Non Export
479	19/01/2023	Metro East	SSD428	HH428D	0.00	0.63	0.63	0.00	Natural Gas Cogenerator	1x 630 kVA GENERIC NON-INVERTER Natural Gas Cogen 630kVA	N/A	N/A	11/0.433	2000 kVA	Type E	As per AS4777 and SAPN EG standard applicable at time of connection	Type 3	Non Export
480	19/01/2023	CBD	SSD353	CBD353F	0.00	0.48	0.48	0.00	Natural Gas Cogenerator	1x 480 kVA GENERIC NON-INVERTER 480kVA	N/A	N/A	11		Type E	As per AS4777 and SAPN EG standard applicable at time of connection	Type 2	Non Export
481	17/01/2023	Metro East	SSD386	HH386A	0.11	0.00	0.11	0.10	Solar PV	1x 110 kVA Huawei Technologies Co Ltd SUN2000-100KTL-M1 (Declaration)	N/A	N/A	11/0.433	200 kVA	Type A	As per AS4777 and SAPN EG standard applicable at time of connection	Type 4	Export
482	16/01/2023	Metro South	SSD111	NL111B	0.06	0.00	0.06	0.06	Solar PV	1x 60 kVA GoodWe Technologies Co Ltd GW60KN-MT (AS4777-2 2020)	N/A	N/A	11/0.433	500 kVA	Type A	As per AS4777 and SAPN EG standard applicable at time of connection	Type 4	Export

No.	Connection Date	Region	Substations	Feeder ID	Inverter Installed Capacity (MVA)	Rotating Installed Capacity (MVA)	Total Installed Capacity (MVA)	Allowable Export (MW)	Generation Fuel	Generating Unit Make & Model	Fault Contributions		Transformer Info		Protection and communication systems	Voltage control and reactive power capability	Single Line Diagram of the Connection Arrangement	Export Details
											At Connection Point	Ph-Ground	Voltage (kV)	Rating				
483	12/01/2023	Metro East	SSD341	HH341K	0.08	0.00	0.08	0.08	Solar PV	1x 82.8 kVA SolarEdge Technologies Ltd SE82.8K	N/A	N/A	11/0.433	1000 kVA	Type A	As per AS4777 and SAPN EG standard applicable at time of connection	Type 4	Export
484	12/01/2023	Metro East	SSD341	HH341K	0.09	0.00	0.09	0.09	Solar PV	3x 30 kVA SolarEdge Technologies Ltd SE30K (AS4777-2 2020)	N/A	N/A	11/0.433	1000 kVA	Type A	As per AS4777 and SAPN EG standard applicable at time of connection	Type 4	Export
485	11/01/2023	Metro West	SSD125	AP125D	0.08	0.00	0.08	0.08	Solar PV	1x 82.8 kVA SolarEdge Technologies Ltd SE82.8K (AS4777-2 2020)	N/A	N/A	11/0.433	2000 kVA	Type A	As per AS4777 and SAPN EG standard applicable at time of connection	Type 4	Export
486	9/01/2023	Metro West	SSD139	AP139C	0.11	0.00	0.11	0.36	Solar PV	1x 110 kVA Sungrow Power Supply Co Ltd SG110CX (AS4777-2 2020)	N/A	N/A	11/0.433	1000 kVA	Type A	As per AS4777 and SAPN EG standard applicable at time of connection	Type 4	Export
487	9/01/2023	Eyre Peninsula	SSD337	CD02	0.40	0.00	0.40	0.00	Diesel Generator	1x 400 kVA Diesel Engine Perkins 2506A-E15TAG1 400kW, 400v alternator	N/A	N/A	11/0.433	1000 kVA	Type B	As per AS4777 and SAPN EG standard applicable at time of connection	Type 4	Non Export
488	6/01/2023	Eyre Peninsula	SSD325	PL01	0.03	0.00	0.03	0.02	Solar PV + Storage	1x 15 kVA Sungrow Power Supply Co Ltd SG15RT (AS4777-2 2020), 1x 5 kVA Tesla Motors Australia Pty Ltd AC Powerwall, 3x 4.99 kVA Huawei Technologies Co Ltd SUN2000L-5KTL	N/A	N/A	11/0.433	200 kVA	Type A	As per AS4777 and SAPN EG standard applicable at time of connection	Type 4	Export
489	6/01/2023	South East	SSD785	NA05	0.00	0.53	0.53	0.00	Waste Gas Generator	1x 531 kVA Avus 500plus BG w/ Stamford PE 734E Alternator	N/A	N/A	11		Type E	As per AS4777 and SAPN EG standard applicable at time of connection	Type 2	Non Export
490	4/01/2023	Upper North	SSD460	PP09	0.05	0.00	0.05	0.05	Solar PV	106x 0.215 kVA Enphase Energy Australia Pty Ltd M215-60-230-S22, 1x 25 kVA Fronius Australia Pty Ltd Eco 25.0-3-S (AS4777-2 2020)	N/A	N/A	11/0.433	315 kVA	Type A	As per AS4777 and SAPN EG standard applicable at time of connection	Type 4	Export
491	28/12/2022	Metro South	SSD131	ME131D	0.26	0.00	0.26	0.26	Solar PV	1x 10 kVA Fronius Australia Pty Ltd Symo 10.0-3-M (AS4777-2 2020), 10x 25 kVA Fronius Australia Pty Ltd Eco 25.0-3-S (AS4777-2 2020)	N/A	N/A	11/0.433	750 kVA	Type C	As per AS4777 and SAPN EG standard applicable at time of connection	Type 4	Export
492	21/12/2022	Metro South	SSD234	MV12	0.10	0.00	0.10	0.01	Solar PV	1x 100 kVA Fronius Australia Pty Ltd Tauro Eco 100-3-D (AS4777-2 2020)	N/A	N/A	11/0.433	750 kVA	Type A	As per AS4777 and SAPN EG standard applicable at time of connection	Type 4	Export
493	21/12/2022	Eyre Peninsula	SSD336	SB01	0.11	0.00	0.11	0.02	Solar PV	6x 17.5 kVA Fronius International GmbH Symo 17.5-3-M	N/A	N/A	11/0.433	200 kVA	Type A	As per AS4777 and SAPN EG standard applicable at time of connection	Type 4	Export
494	21/12/2022	Metro West	SSD372	AP372A	0.27	0.00	0.27	0.00	Solar PV	1x 50 kVA Sungrow Power Supply Co Ltd SG50CX (AS4777-2 2020), 2x 110 kVA Sungrow Power Supply Co Ltd SG110CX (AS4777-2 2020)	N/A	N/A	11/0.433	1000 kVA	Type B	As per AS4777 and SAPN EG standard applicable at time of connection	Type 4	Non Export
495	15/12/2022	Metro East	SSD432	HH432E	0.11	0.00	0.11	0.11	Solar PV	1x 110 kVA Sungrow Power Supply Co Ltd SG110CX (AS4777-2 2020)	N/A	N/A	11/0.433	315 kVA	Type A	As per AS4777 and SAPN EG standard applicable at time of connection	Type 4	Export
496	14/12/2022	Metro South	SSD131	ME131D	0.10	0.00	0.10	0.10	Solar PV	2x 50 kVA Sungrow Power Supply Co Ltd SG50CX (AS4777-2 2020)	N/A	N/A	11/0.433	2000 kVA	Type A	As per AS4777 and SAPN EG standard applicable at time of connection	Type 4	Export

No.	Connection Date	Region	Substations	Feeder ID	Inverter Installed Capacity (MVA)	Rotating Installed Capacity (MVA)	Total Installed Capacity (MVA)	Allowable Export (MW)	Generation Fuel	Generating Unit Make & Model	Fault Contributions		Transformer Info		Protection and communication systems	Voltage control and reactive power capability	Single Line Diagram of the Connection Arrangement	Export Details
											At Connection Point	Ph-Ground	Voltage (kV)	Rating				
497	14/12/2022	Upper North	SSD750	SD54300	4.40	0.00	4.40	4.84	Solar PV	88x 50 kVA Ginlong Technologies Co Ltd S5-GC50K (AS4777-2 2020)	N/A	N/A	33		Type C	As per AS4777 and SAPN EG standard applicable at time of connection	Type 2	Export
498	13/12/2022	Fleurieu Peninsula	SSD368	VH10	0.04	0.00	0.04	0.04	Solar PV	2x 15 kVA Fronius Australia Pty Ltd Symo 15.0-3-M (AS4777-2 2020), 1x 12.5 kVA Fronius Australia Pty Ltd Symo 12.5-3-M (AS4777-2 2020)	N/A	N/A	11/0.433	500 kVA	Type A	As per AS4777 and SAPN EG standard applicable at time of connection	Type 4	Export
499	7/12/2022	Metro South	SSD374	SM374D	0.10	0.00	0.10	0.10	Solar PV	2x 50 kVA (ABB) Power-One Italy S.p.A PVS-50-TL-SX2	N/A	N/A	11/0.433	300 kVA	Type A	As per AS4777 and SAPN EG standard applicable at time of connection	Type 4	Export
500	6/12/2022	Metro North	SSD832	BS0425	0.35	0.00	0.35	0.00	Solar PV	7x 50 kVA SMA Australia Pty Ltd STP 50-41 (AS4777-2 2020)	N/A	N/A	11		Type B	As per AS4777 and SAPN EG standard applicable at time of connection	Type 2	Non Export
501	6/12/2022	Riverland	SSD398	BM14	1.11	0.00	1.11	0.88	Solar PV + Storage	1x 8.2 kVA Fronius International GmbH Symo 8.2-3-M, 2x 550 kVA Sungrow Power Supply Co Ltd SC500TL	N/A	N/A	11		Type C	As per AS4777 and SAPN EG standard applicable at time of connection	Type 2	Export
502	2/12/2022	Metro West	SSD829	AP829A	0.08	0.00	0.08	0.06	Solar PV	1x 50 kVA Fronius Australia Pty Ltd Tauro Eco 50-3-D (AS4777-2 2020), 2x 15 kVA Fronius International GmbH Symo 15.0-3-M	N/A	N/A	11/0.433	315 kVA	Type A	As per AS4777 and SAPN EG standard applicable at time of connection	Type 4	Export
503	1/12/2022	Metro West	SSD424	AP424A	0.11	0.00	0.11	0.00	Solar PV	1x 110 kVA SMA Solar Technology AG Core 2 STP 110-60	N/A	N/A	11/0.433	300 kVA	Type A	As per AS4777 and SAPN EG standard applicable at time of connection	Type 4	Non Export
504	29/11/2022	Metro North	SSD422	EL02	0.66	0.00	0.66	0.20	Solar PV	6x 110 kVA Sungrow Power Supply Co Ltd SG110CX	N/A	N/A	11/0.433	2000 kVA	Type B	As per AS4777 and SAPN EG standard applicable at time of connection	Type 4	Export
505	28/11/2022	Murraylands	SSD454	CN42	0.08	0.00	0.08	0.02	Solar PV	3x 27 kVA Fronius Australia Pty Ltd Eco 27.0-3-S (AS4777-2 2020)	N/A	N/A	11/0.433	750 kVA	Type A	As per AS4777 and SAPN EG standard applicable at time of connection	Type 4	Export
506	28/11/2022	Murraylands	SSD454	CN42	0.08	0.00	0.08	0.02	Solar PV	3x 27 kVA Fronius Australia Pty Ltd Eco 27.0-3-S (AS4777-2 2020)	N/A	N/A	11/0.433	750 kVA	Type A	As per AS4777 and SAPN EG standard applicable at time of connection	Type 4	Export
507	28/11/2022	Metro East	SSD428	HH428C	0.11	0.00	0.11	0.11	Solar PV	1x 110 kVA Sungrow Power Supply Co Ltd SG110CX (AS4777-2 2020)	N/A	N/A	11/0.433	500 kVA	Type A	As per AS4777 and SAPN EG standard applicable at time of connection	Type 4	Export
508	28/11/2022	Metro South	SSD350	SM350F	0.07	0.00	0.07	0.07	Solar PV + Storage	6x 5 kVA Tesla Motors Australia Pty Ltd AC Powerwall, 1x 8.2 kVA Fronius Australia Pty Ltd Symo 8.2-3-M (AS4777-2 2020), 1x 8.2 kVA Fronius International GmbH Symo 8.2-3-M, 1x 10 kVA Fronius International GmbH Symo 10.0-3-M, 1x 5 kVA Fronius Australia Pty Ltd Primo 5.0-1 (AS4777-2 2020)	N/A	N/A	11/0.433	315 kVA	Type A	As per AS4777 and SAPN EG standard applicable at time of connection	Type 4	Export
509	25/11/2022	Metro West	SSD829	AP829D	0.16	0.00	0.16	0.08	Solar PV	3x 27 kVA Fronius Australia Pty Ltd Eco 27.0-3-S (AS4777-2 2020), 3x 27 kVA Fronius Australia 27.0-3-S	N/A	N/A	11/0.433	500 kVA	Type A	As per AS4777 and SAPN EG standard applicable at time of connection	Type 4	Export
510	24/11/2022	Metro West	SSD132	AP132D	0.22	0.00	0.22	0.19	Solar PV	2x 110 kVA Sungrow Power Supply Co Ltd SG110CX (AS4777-2 2020)	N/A	N/A	11/0.433	500 kVA	Type B	As per AS4777 and SAPN EG standard applicable at time of connection	Type 4	Export

No.	Connection Date	Region	Substations	Feeder ID	Inverter Installed Capacity (MVA)	Rotating Installed Capacity (MVA)	Total Installed Capacity (MVA)	Allowable Export (MW)	Generation Fuel	Generating Unit Make & Model	Fault Contributions		Transformer Info		Protection and communication systems	Voltage control and reactive power capability	Single Line Diagram of the Connection Arrangement	Export Details
											At Connection Point	Ph-Ground	Voltage (kV)	Rating				
511	18/11/2022	Murraylands	SSD151	MB12	0.11	0.00	0.11	0.00	Solar PV	1x 110 kVA Sungrow Power Supply Co Ltd SG110CX (AS4777-2 2020)	N/A	N/A	11/0.433	1000 kVA	Type A	As per AS4777 and SAPN EG standard applicable at time of connection	Type 4	Non Export
512	11/11/2022	Metro South	SSD350	SM350D	0.06	0.00	0.06	0.00	Solar PV	2x 30 kVA SolarEdge Technologies Ltd SE30K (AS4777-2 2020)	N/A	N/A	11/0.433	300 kVA	Type A	As per AS4777 and SAPN EG standard applicable at time of connection	Type 4	Non Export
513	11/11/2022	Metro South	SSD350	SM350C	0.00	0.53	0.53	0.00	Other	1x 526 kVA GENERIC NON-INVERTER Natural Gas 526kVA	N/A	N/A	11/0.433	1000 kVA	Type E	As per AS4777 and SAPN EG standard applicable at time of connection	Type 3	Non Export
514	5/11/2022	Eastern Hills	SSD237	MTB21	0.55	0.00	0.55	0.55	Solar PV + Storage	1x 250 kVA POWER TECHNOLOGY ENGINEERED SOLUTIONS PTY LTD NXA04605-G0T02SG-A1A2000000,3x 100 kVA (ABB) Power-One Italy S.p.A PVS-100-TL	N/A	N/A	11/0.433	1500 kVA	Type C	As per AS4777 and SAPN EG standard applicable at time of connection	Type 4	Export
515	3/11/2022	Yorke Peninsula	SSD780	SD34102	0.08	0.00	0.08	0.08	Solar PV	4x 20 kVA Fronius Australia Pty Ltd Symo 20.0-3-M (AS4777-2 2020)	N/A	N/A	33/0.433	315 kVA	Type A	As per AS4777 and SAPN EG standard applicable at time of connection	Type 4	Export
516	1/11/2022	Eyre Peninsula	SSD325	PL01	0.09	0.00	0.09	0.08	Solar PV	3x 20 kVA SMA Australia Pty Ltd STP20000TL-30,1x 25 kVA SMA Australia Pty Ltd STP25000TL-30	N/A	N/A	11/0.433	300 kVA	Type A	As per AS4777 and SAPN EG standard applicable at time of connection	Type 4	Export
517	1/11/2022	Eyre Peninsula	SSD164	CM02	0.20	0.00	0.20	0.20	Solar PV	4x 50 kVA (ABB) Power-One Italy S.p.A PVS-50-TL	N/A	N/A	11/0.433	200 kVA	Type C	As per AS4777 and SAPN EG standard applicable at time of connection	Type 4	Export
518	1/11/2022	Barossa	SSD681	NU15	0.20	0.00	0.20	0.20	Solar PV	4x 50 kVA (ABB) Power-One Italy S.p.A PVS-50-TL	N/A	N/A	11/0.433	200 kVA	Type C	As per AS4777 and SAPN EG standard applicable at time of connection	Type 4	Export
519	1/11/2022	Murraylands	SSD405	SD39100	0.20	0.00	0.20	0.20	Solar PV	4x 50 kVA (ABB) Power-One Italy S.p.A PVS-50-TL	N/A	N/A	33/0.433	200 kVA	Type C	As per AS4777 and SAPN EG standard applicable at time of connection	Type 4	Export
520	1/11/2022	Riverland	SSD420	BM54	0.10	0.00	0.10	0.10	Solar PV	1x 100 kVA Shenzhen Sinexcel Electric Co Ltd PWG2-100K-EX	N/A	N/A	11/0.433	200 kVA	Type A	As per AS4777 and SAPN EG standard applicable at time of connection	Type 4	Export
521	1/11/2022	Riverland	SSD420	BM54	0.10	0.00	0.10	0.08	Solar PV	1x 100 kVA Shenzhen Sinexcel Electric Co Ltd PWG2-100K-EX	N/A	N/A	11/0.433	100 kVA	Type A	As per AS4777 and SAPN EG standard applicable at time of connection	Type 4	Export
522	1/11/2022	Yorke Peninsula	SSD180	YK03	0.10	0.00	0.10	0.10	Solar PV	2x 50 kVA (ABB) Power-One Italy S.p.A PVS-50-TL	N/A	N/A	11/0.433	100 kVA	Type A	As per AS4777 and SAPN EG standard applicable at time of connection	Type 4	Export
523	1/11/2022	Yorke Peninsula	SSD780	SD34102	1.93	0.00	1.93	1.88	Solar PV	11x 175 kVA (ABB) Power-One Italy S.p.A PVS-175-TL1-WB-SX2-IFANNMN	N/A	N/A	33		Type C	As per AS4777 and SAPN EG standard applicable at time of connection	Type 2	Export
524	1/11/2022	Riverland	SSD235	LX42	0.18	0.00	0.18	0.18	Solar PV	3x 60 kVA SMA Australia Pty Ltd STP60-10	N/A	N/A	11/0.433	200 kVA	Type A	As per AS4777 and SAPN EG standard applicable at time of connection	Type 4	Export
525	1/11/2022	Riverland	SSD235	LX42	0.20	0.00	0.20	0.20	Solar PV	2x 100 kVA Shenzhen Sinexcel Electric Co Ltd PWG2-100K-EX (AS4777-2 2020)	N/A	N/A	11/0.433	315 kVA	Type C	As per AS4777 and SAPN EG standard applicable at time of connection	Type 4	Export

No.	Connection Date	Region	Substations	Feeder ID	Inverter Installed Capacity (MVA)	Rotating Installed Capacity (MVA)	Total Installed Capacity (MVA)	Allowable Export (MW)	Generation Fuel	Generating Unit Make & Model	Fault Contributions		Transformer Info		Protection and communication systems	Voltage control and reactive power capability	Single Line Diagram of the Connection Arrangement	Export Details
											At Connection Point	Ph-Ground	Voltage (kV)	Rating				
526	1/11/2022	Riverland	SSD168	WK11	0.20	0.00	0.20	0.20	Solar PV	4x 50 kVA (ABB) Power-One Italy S.p.A PVS-50-TL	N/A	N/A	11/0.433	200 kVA	Type C	As per AS4777 and SAPN EG standard applicable at time of connection	Type 4	Export
527	1/11/2022	Metro North	SSD744	SA744H	0.10	0.00	0.10	0.00	Solar PV	1x 100 kVA SolarEdge Technologies Ltd SE100K (AS4777-2 2020)	N/A	N/A	11/0.433	750 kVA	Type A	As per AS4777 and SAPN EG standard applicable at time of connection	Type 4	Non Export
528	28/10/2022	Metro West	SSD829	AP829B	0.11	0.00	0.11	0.11	Solar PV	1x 110 kVA Sungrow Power Supply Co Ltd SG110CX (AS4777-2 2020)	N/A	N/A	11/0.433	300 kVA	Type A	As per AS4777 and SAPN EG standard applicable at time of connection	Type 4	Export
529	19/10/2022	Metro South	SSD350	SM350B	0.05	0.00	0.05	0.05	Solar PV	2x 15 kVA Fronius Australia Pty Ltd Symo 15.0-3-M (AS4777-2 2020), 1x 20 kVA Fronius Australia Pty Ltd Symo 20.0-3-M (AS4777-2 2020)	N/A	N/A	11/0.433	500 kVA	Type A	As per AS4777 and SAPN EG standard applicable at time of connection	Type 4	Export
530	6/10/2022	Metro West	SSD520	SA520C	0.11	0.00	0.11	0.11	Solar PV	1x 110 kVA Sungrow Power Supply Co Ltd SG110CX (AS4777-2 2020)	N/A	N/A	11/0.433	1000 kVA	Type A	As per AS4777 and SAPN EG standard applicable at time of connection	Type 4	Export
531	4/10/2022	Metro East	SSD121	HH121C	0.09	0.00	0.09	0.09	Solar PV + Storage	2x 25 kVA SolarEdge Technologies Ltd SE25K (AS4777-2 2020), 4x 10 kVA Fronius Australia Primo GEN24 10.0 Plus	N/A	N/A	11/0.433	315 kVA	Type A	As per AS4777 and SAPN EG standard applicable at time of connection	Type 4	Export
532	29/09/2022	Metro West	SSD132	AP132C	1.25	0.00	1.25	0.90	Solar PV + Storage	1x 252 kVA Tesla Motors Australia Pty Ltd Powerpack 252kVA, 10x 50 kVA (ABB) Power-One Italy S.p.A TRIO-50.0-TL-OUTD	N/A	N/A	11		Type C	As per AS4777 and SAPN EG standard applicable at time of connection	Type 2	Export
533	27/09/2022	Metro South	SSD116	ME116D	0.09	0.00	0.09	0.09	Solar PV + Storage	1x 20 kVA Fronius International GmbH Symo 20.0-3-M, 2x 15 kVA Fronius International GmbH Symo 15.0-3-M, 9x 4.6 kVA Sonnen GmbH Hybrid 9.53/15	N/A	N/A	11/0.433	200 kVA	Type A	As per AS4777 and SAPN EG standard applicable at time of connection	Type 4	Export
534	22/09/2022	Barossa	SSD150	NU04	0.09	0.00	0.09	0.09	Solar PV	3x 10 kVA SMA Australia Pty Ltd STP10000TL, 2x 15 kVA SMA Australia Pty Ltd STP15000TL, 1x 27 kVA Fronius Australia 27.0-3-S	N/A	N/A	11/0.433	500 kVA	Type A	As per AS4777 and SAPN EG standard applicable at time of connection	Type 4	Export
535	20/09/2022	Metro West	SSD214	AP214C	0.10	0.00	0.10	0.05	Solar PV	1x 99.99 kVA GoodWe Technologies Co Ltd GW100K-HT (AS4777-2 2020)	N/A	N/A	11/0.433	750 kVA	Type A	As per AS4777 and SAPN EG standard applicable at time of connection	Type 4	Export
536	11/09/2022	Eyre Peninsula	SSD793	SD56301	4.95	0.00	4.95	4.00	Solar PV	1x 4950 kVA Sungrow SG4950HV-MV	N/A	N/A	33		Type C	As per AS4777 and SAPN EG standard applicable at time of connection	Type 2	Export
537	8/09/2022	Metro North	SSD414	EL07	0.50	0.00	0.50	0.20	Solar PV	1x 100 kVA (ABB) Power-One Italy S.p.A PVS-100-TL, 3x 110 kVA HUAWEI TECHNOLOGIES (AUSTRALIA) PTY LTD SUN2000-100KTL-M1 (Declaration), 1x 55 kVA HUAWEI TECHNOLOGIES (AUSTRALIA) PTY LTD SUN2000-50KTL-M0, 1x 12 kVA Huawei Technologies Co Ltd SUN2000-12KTL-M2 (AS4777-2 2020)	N/A	N/A	11/0.433	1500 kVA	Type C	As per AS4777 and SAPN EG standard applicable at time of connection	Type 4	Export
538	5/09/2022	Metro East	SSD107	HH107E	0.09	0.00	0.09	0.02	Solar PV	3x 29.9 kVA Huawei Technologies Co Ltd SUN2000-29.9KTL-M3 (AS4777-2 2020)	N/A	N/A	11/0.433	500 kVA	Type A	As per AS4777 and SAPN EG standard applicable at time of connection	Type 4	Export

No.	Connection Date	Region	Substations	Feeder ID	Inverter Installed Capacity (MVA)	Rotating Installed Capacity (MVA)	Total Installed Capacity (MVA)	Allowable Export (MW)	Generation Fuel	Generating Unit Make & Model	Fault Contributions		Transformer Info		Protection and communication systems	Voltage control and reactive power capability	Single Line Diagram of the Connection Arrangement	Export Details
											At Connection Point	Ph-Ground	Voltage (kV)	Rating				
539	30/08/2022	Metro East	SSD341	HH341K	0.14	0.00	0.14	0.14	Solar PV	1x 55 kVA Sungrow SG50CX (AS4777-2 2020), 1x 9 kVA SMA AUSTRALIA PTY LTD STP9000TL-20, 3x 25 kVA SMA AUSTRALIA PTY LTD STP25000TL-30	N/A	N/A	11/0.433	500 kVA	Type A	As per AS4777 and SAPN EG standard applicable at time of connection	Type 4	Export
540	29/08/2022	Metro South	SSD131	ME131D	0.07	0.00	0.07	0.07	Solar PV + Storage	2x 27.6 kVA SolarEdge Technologies Ltd SE27.6K, 3x 5 kVA SolarEdge Technologies Ltd SE5000-AUS	N/A	N/A	11/0.433	750 kVA	Type A	As per AS4777 and SAPN EG standard applicable at time of connection	Type 4	Export
541	23/08/2022	CBD	SSD367	CBD367H	0.08	0.00	0.08	0.08	Solar PV	1x 82.8 kVA SolarEdge Technologies Ltd SE82.8K	N/A	N/A	11/0.433	500 kVA	Type A	As per AS4777 and SAPN EG standard applicable at time of connection	Type 4	Export
542	23/08/2022	Metro South	SSD402	SM402A	0.07	0.00	0.07	0.04	Solar PV	2x 20 kVA Fronius Australia Pty Ltd Symo 20.0-3-M (AS4777-2 2020), 1x 27 kVA Fronius Australia Pty Ltd Eco 27.0-3-S (AS4777-2 2020)	N/A	N/A	11/0.433	315 kVA	Type A	As per AS4777 and SAPN EG standard applicable at time of connection	Type 4	Export
543	23/08/2022	Metro South	SSD200	ME200C	0.08	0.00	0.08	0.24	Solar PV	4x 20 kVA Sungrow Power Supply Co Ltd SG20RT (AS4777-2 2020)	N/A	N/A	11/0.433	1500 kVA	Type A	As per AS4777 and SAPN EG standard applicable at time of connection	Type 4	Export
544	23/08/2022	Metro West	SSD355	AP355B	0.11	0.00	0.11	0.02	Solar PV	1x 110 kVA Sungrow Power Supply Co Ltd SG110CX (AS4777-2 2020)	N/A	N/A	11/0.433	200 kVA	Type A	As per AS4777 and SAPN EG standard applicable at time of connection	Type 4	Export
545	22/08/2022	Metro South	SSD210	NL210C	0.20	0.00	0.20	0.02	Solar PV	1x 8.2 kVA Fronius Australia Pty Ltd Symo 8.2-3-M (AS4777-2 2020), 2x 27 kVA Fronius Australia Pty Ltd Eco 27.0-3-S (AS4777-2 2020), 90x 1.5 kVA Fronius International GmbH Galvo 1.5-1	N/A	N/A	11/0.433	500 kVA	Type A	As per AS4777 and SAPN EG standard applicable at time of connection	Type 4	Export
546	16/08/2022	South East	SSD195	MG45	0.72	0.00	0.72	0.20	Solar PV	12x 60 kVA JIANGSU GOODWE POWER SUPPLY TECHNOLOGY CO LTD GW60K-MT	N/A	N/A	11/0.433	2000 kVA	Type B	As per AS4777 and SAPN EG standard applicable at time of connection	Type 4	Export
547	11/08/2022	Eastern Hills	SSD248	ST34	0.04	0.00	0.04	0.02	Solar PV	2x 5 kVA SolaX Power Network Technology Zhejiang Co Ltd X1-5.0-T-D(L) (Declaration), 1x 30 kVA Shenzhen SOFARSOLAR Co Ltd SOFAR 30000TL-Sx	N/A	N/A	11/0.433	20 kVA	Type A	As per AS4777 and SAPN EG standard applicable at time of connection	Type 4	Export
548	10/08/2022	Metro West	SSD214	AP214D	0.11	0.00	0.11	0.11	Solar PV	1x 110 kVA SMA Solar Technology AG Core 2 STP 110-60	N/A	N/A	11/0.433	315 kVA	Type A	As per AS4777 and SAPN EG standard applicable at time of connection	Type 4	Export
549	8/08/2022	Metro South	SSD374	SM374D	0.08	0.00	0.08	0.02	Solar PV	3x 27 kVA Fronius Australia Pty Ltd Eco 27.0-3-S (AS4777-2 2020)	N/A	N/A	11/0.433	750 kVA	Type A	As per AS4777 and SAPN EG standard applicable at time of connection	Type 4	Export
550	5/08/2022	South East	SSD831	MG46	0.08	0.00	0.08	0.24	Solar PV	3x 27 kVA Fronius Australia Pty Ltd Eco 27.0-3-S (AS4777-2 2020)	N/A	N/A	11/0.433	300 kVA	Type A	As per AS4777 and SAPN EG standard applicable at time of connection	Type 4	Export
551	5/08/2022	Metro South	SSD350	SM350C	0.06	0.00	0.06	0.00	Solar PV	2x 30 kVA SolarEdge Technologies Ltd SE30K (AS4777-2 2020)	N/A	N/A	11/0.433	1000 kVA	Type A	As per AS4777 and SAPN EG standard applicable at time of connection	Type 4	Non Export
552	5/08/2022	Metro West	SSD149	AP149D	1.26	0.00	1.26	1.37	Storage	42x 30 kVA ELEXSYS R&D PTY LTD EEdS30 (AS4777-2 2020)	N/A	N/A	11/0.433	2000 kVA	Type C	As per AS4777 and SAPN EG standard applicable at time of connection	Type 4	Export

No.	Connection Date	Region	Substations	Feeder ID	Inverter Installed Capacity (MVA)	Rotating Installed Capacity (MVA)	Total Installed Capacity (MVA)	Allowable Export (MW)	Generation Fuel	Generating Unit Make & Model	Fault Contributions		Transformer Info		Protection and communication systems	Voltage control and reactive power capability	Single Line Diagram of the Connection Arrangement	Export Details
											At Connection Point	Ph-Ground	Voltage (kV)	Rating				
553	5/08/2022	Metro West	SSD149	AP149D	1.26	0.00	1.26	1.37	Storage	42x 30 kVA ELEXSYS R&D PTY LTD EEdS 3042	N/A	N/A	11/0.433	2000 kVA	Type C	As per AS4777 and SAPN EG standard applicable at time of connection	Type 4	Export
554	2/08/2022	Metro East	SSD428	HH428F	0.07	0.00	0.07	0.10	Solar PV	1x 66 kVA GoodWe Technologies Co Ltd GEP60-10 (AS4777-2 2020)	N/A	N/A	11/0.433	200 kVA	Type A	As per AS4777 and SAPN EG standard applicable at time of connection	Type 4	Export
555	29/07/2022	CBD	SSD794	BS0340	0.00	4.00	4.00	0.00	Natural Gas Cogenerator	1x 4000 kVA GENERIC NON-INVERTER Natural Gas 4MW	N/A	N/A	11		Type E	As per AS4777 and SAPN EG standard applicable at time of connection	Type 2	Non Export
556	29/07/2022	CBD	SSD155	CBD155D	0.13	0.31	0.44	0.44	Natural Gas Cogenerator + Solar PV	1x 130 kVA Unknown Unknown, 1x 310 kVA Simons Green ENERG310 CHP	N/A	N/A	11		Type K	As per AS4777 and SAPN EG standard applicable at time of connection	Type 2	Export
557	29/07/2022	Metro South	SSD131	ME131E	0.19	0.00	0.19	0.20	Solar PV	2x 40 kVA Ginlong Technologies Co Ltd Solis-40K-5G-AU (AS4777-2 2020), 1x 110 kVA Sungrow Power Supply Co Ltd SG110CX (AS4777-2 2020)	N/A	N/A	11/0.433	300 kVA	Type A	As per AS4777 and SAPN EG standard applicable at time of connection	Type 4	Export
558	26/07/2022	Metro South	SSD111	NL111A	0.08	0.00	0.08	0.00	Solar PV	4x 20 kVA Fronius Australia Pty Ltd Symo 20.0-3-M (AS4777-2 2020)	N/A	N/A	11/0.433	500 kVA	Type A	As per AS4777 and SAPN EG standard applicable at time of connection	Type 4	Non Export
559	14/07/2022	CBD	SSD366	CBD366B	0.10	0.00	0.10	0.10	Solar PV	4x 25 kVA SMA Australia Pty Ltd STP25000TL-30	N/A	N/A	11/0.433	750 kVA	Type A	As per AS4777 and SAPN EG standard applicable at time of connection	Type 4	Export
560	14/07/2022	CBD	SSD412	CBD412H	0.11	0.00	0.11	0.11	Solar PV	4x 27.6 kVA SolarEdge Technologies Ltd SE27.6K	N/A	N/A	11/0.433	750 kVA	Type A	As per AS4777 and SAPN EG standard applicable at time of connection	Type 4	Export
561	14/07/2022	Metro West	SSD829	AP829A	0.05	0.00	0.05	0.05	Solar PV	2x 27 kVA Fronius Australia ECO 27.0-3-S	N/A	N/A	11/0.433	315 kVA	Type A	As per AS4777 and SAPN EG standard applicable at time of connection	Type 4	Export
562	14/07/2022	Metro East	SSD522	HH522A	0.08	0.00	0.08	0.08	Solar PV	3x 27 kVA Fronius Australia ECO 27.0-3-S	N/A	N/A	11/0.433	200 kVA	Type A	As per AS4777 and SAPN EG standard applicable at time of connection	Type 4	Export
563	14/07/2022	Metro South	SSD111	NL111A	0.08	0.00	0.08	0.08	Solar PV	1x 82.8 kVA SolarEdge Technologies Ltd SE82.8K	N/A	N/A	11/0.433	2000 kVA	Type A	As per AS4777 and SAPN EG standard applicable at time of connection	Type 4	Export
564	14/07/2022	Mid North	SSD230	GA02	0.06	0.00	0.06	0.06	Solar PV	3x 20 kVA Fronius International GmbH Symo 20.0-3-M	N/A	N/A	11/0.433	200 kVA	Type A	As per AS4777 and SAPN EG standard applicable at time of connection	Type 4	Export
565	14/07/2022	Barossa	SSD294	NU25	0.09	0.00	0.09	0.09	Solar PV	3x 30 kVA SolarEdge Technologies Ltd SE30K	N/A	N/A	11/0.433	500 kVA	Type A	As per AS4777 and SAPN EG standard applicable at time of connection	Type 4	Export
566	14/07/2022	Eastern Hills	SSD250	ST11	0.04	0.00	0.04	0.04	Solar PV	2x 20 kVA SMA Australia Pty Ltd STP20000TL-30	N/A	N/A	11/0.433	315 kVA	Type A	As per AS4777 and SAPN EG standard applicable at time of connection	Type 4	Export
567	14/07/2022	Fleurieu Peninsula	SSD317	MV31	1.24	0.00	1.24	0.66	Solar PV + Storage	10x 75 kVA SMA Solar Technology Ag Sunny Highpower PEAK1, 1x 490 kVA TESLA MOTORS AUSTRALIA PTY LTD POWERPACK 2 490KVA	N/A	N/A	11/0.433	1000 kVA	Type C	As per AS4777 and SAPN EG standard applicable at time of connection	Type 4	Export

No.	Connection Date	Region	Substations	Feeder ID	Inverter Installed Capacity (MVA)	Rotating Installed Capacity (MVA)	Total Installed Capacity (MVA)	Allowable Export (MW)	Generation Fuel	Generating Unit Make & Model	Fault Contributions		Transformer Info		Protection and communication systems	Voltage control and reactive power capability	Single Line Diagram of the Connection Arrangement	Export Details
											At Connection Point	Ph-Ground	Voltage (kV)	Rating				
568	14/07/2022	Metro West	SSD139	AP139C	0.38	0.00	0.38	0.20	Solar PV	1x 12.5 kVA Fronius International GmbH Symo 12.5-3-M,1x 15 kVA Fronius International GmbH Symo 15.0-3-M,8x 27 kVA Fronius Australia ECO 27.0-3-S,5x 27 kVA Fronius Australia ECO 27.0-3-S	N/A	N/A	11/0.433	750 kVA	Type B	As per AS4777 and SAPN EG standard applicable at time of connection	Type 4	Export
569	14/07/2022	Fleurieu Peninsula	SSD368	VH12	0.08	0.00	0.08	0.08	Solar PV	3x 27 kVA Fronius Australia ECO 27.0-3-S	N/A	N/A	11/0.433	1000 kVA	Type A	As per AS4777 and SAPN EG standard applicable at time of connection	Type 4	Export
570	14/07/2022	Eastern Hills	SSD777	MTB11	0.06	0.00	0.06	0.06	Solar PV	1x 55 kVA Huawei Technologies Co Ltd SUN2000-50KTL-M0	N/A	N/A	11/0.433	300 kVA	Type A	As per AS4777 and SAPN EG standard applicable at time of connection	Type 4	Export
571	14/07/2022	Eastern Hills	SSD242	ST41	0.05	0.00	0.05	0.05	Solar PV	1x 50 kVA SMA Australia Pty Ltd STP 50-40	N/A	N/A	11/0.433	75 kVA	Type A	As per AS4777 and SAPN EG standard applicable at time of connection	Type 4	Export
572	14/07/2022	Riverland	SSD420	BM55	0.10	0.00	0.10	0.10	Solar PV	1x 100 kVA (ABB) Power-One Italy S.p.A PVS-100-TL	N/A	N/A	11/0.433	200 kVA	Type A	As per AS4777 and SAPN EG standard applicable at time of connection	Type 4	Export
573	14/07/2022	South East	SSD195	MG41	0.10	0.00	0.10	0.10	Solar PV	2x 50 kVA SMA Solar Technology Ag SMA Sunny Tripower CORE1 STP 50-40	N/A	N/A	11/0.433	500 kVA	Type A	As per AS4777 and SAPN EG standard applicable at time of connection	Type 4	Export
574	14/07/2022	Metro East	SSD177	HH177C	0.10	0.00	0.10	0.10	Solar PV	2x 50 kVA SMA Australia Pty Ltd STP 50-40	N/A	N/A	11/0.433	750 kVA	Type A	As per AS4777 and SAPN EG standard applicable at time of connection	Type 4	Export
575	14/07/2022	Metro North	SSD273	GA15	0.07	0.00	0.07	0.10	Solar PV + Storage	2x 33.3 kVA SolarEdge Technologies Ltd SE33.3K	N/A	N/A	11/0.433	50 kVA	Type A	As per AS4777 and SAPN EG standard applicable at time of connection	Type 4	Export
576	14/07/2022	Metro West	SSD829	AP829K	0.06	0.00	0.06	0.06	Solar PV	1x 27 kVA Fronius Australia ECO 27.0-3-S,1x 10 kVA Fronius International GmbH Symo 10.0-3-M	N/A	N/A	11/0.433	750 kVA	Type A	As per AS4777 and SAPN EG standard applicable at time of connection	Type 4	Export
577	14/07/2022	Metro West	SSD149	AP149D	0.48	0.00	0.48	0.48	Solar PV	8x 60 kVA SMA Australia Pty Ltd STP60-10	N/A	N/A	11/0.433	1500 kVA	Type C	As per AS4777 and SAPN EG standard applicable at time of connection	Type 4	Export
578	14/07/2022	Metro West	SSD149	AP149D	0.48	0.00	0.48	0.48	Solar PV	8x 60 kVA SMA Australia Pty Ltd STP60-10	N/A	N/A	11/0.433	1500 kVA	Type C	As per AS4777 and SAPN EG standard applicable at time of connection	Type 4	Export
579	14/07/2022	South East	SSD195	MG41	0.10	0.00	0.10	0.10	Solar PV	4x 25 kVA Fronius Australia ECO 25.0-3-S	N/A	N/A	11/0.433	300 kVA	Type A	As per AS4777 and SAPN EG standard applicable at time of connection	Type 4	Export
580	14/07/2022	Metro West	SSD829	AP829K	0.09	0.00	0.09	0.09	Solar PV	3x 30 kVA Ginlong Technologies Co Ltd Solis-30K	N/A	N/A	11/0.433	750 kVA	Type A	As per AS4777 and SAPN EG standard applicable at time of connection	Type 4	Export
581	14/07/2022	Metro West	SSD520	SA520B	0.10	0.00	0.10	0.10	Solar PV	4x 25 kVA Fronius Australia ECO 25.0-3-S	N/A	N/A	11/0.433	500 kVA	Type A	As per AS4777 and SAPN EG standard applicable at time of connection	Type 4	Export
582	14/07/2022	Mid North	SSD230	GA26	0.08	0.00	0.08	0.08	Solar PV	3x 25 kVA SMA Australia Pty Ltd STP25000TL-30	N/A	N/A	11/0.433	1500 kVA	Type A	As per AS4777 and SAPN EG standard	Type 4	Export

No.	Connection Date	Region	Substations	Feeder ID	Inverter Installed Capacity (MVA)	Rotating Installed Capacity (MVA)	Total Installed Capacity (MVA)	Allowable Export (MW)	Generation Fuel	Generating Unit Make & Model	Fault Contributions		Transformer Info		Protection and communication systems	Voltage control and reactive power capability	Single Line Diagram of the Connection Arrangement	Export Details
											At Connection Point	Ph-Ground	Voltage (kV)	Rating				
																applicable at time of connection		
583	14/07/2022	Eastern Hills	SSD777	MTB12	0.09	0.00	0.09	0.09	Solar PV	3x 29.9 kVA Huawei Technologies Co Ltd SUN2000-29.9KTL	N/A	N/A	11/0.433	315 kVA	Type A	As per AS4777 and SAPN EG standard applicable at time of connection	Type 4	Export
584	14/07/2022	Riverland	SSD399	BM42	0.10	0.00	0.10	0.10	Solar PV	1x 100 kVA Huawei Technologies Co Ltd SUN2000-100KTL-M1	N/A	N/A	11/0.433	315 kVA	Type A	As per AS4777 and SAPN EG standard applicable at time of connection	Type 4	Export
585	14/07/2022	Eastern Hills	SSD777	MTB11	0.07	0.00	0.07	0.07	Solar PV	1x 17.5 kVA Fronius International GmbH Symo 17.5-3-M, 1x 27.6 kVA (ABB) Power-One Italy S.p.A TRIO-27.6-TL-OUTD-400	N/A	N/A	11/0.433	200 kVA	Type A	As per AS4777 and SAPN EG standard applicable at time of connection	Type 4	Export
586	14/07/2022	Metro East	SSD341	HH341B	0.20	0.00	0.20	0.20	Solar PV	4x 50 kVA SolarEdge Technologies Ltd SE50K	N/A	N/A	11/0.433	1000 kVA	Type C	As per AS4777 and SAPN EG standard applicable at time of connection	Type 4	Export
587	14/07/2022	Metro South	SSD760	NL760A	0.08	0.00	0.08	0.08	Solar PV	1x 80 kVA JIANGSU GOODWE POWER SUPPLY TECHNOLOGY CO LTD GW80K-MT	N/A	N/A	11/0.433	315 kVA	Type A	As per AS4777 and SAPN EG standard applicable at time of connection	Type 4	Export
588	14/07/2022	Metro North	SSD407	SA17	0.20	0.00	0.20	0.20	Solar PV	1x 100 kVA (ABB) Power-One Italy S.p.A PVS-100-TL	N/A	N/A	11/0.433	1500 kVA	Type C	As per AS4777 and SAPN EG standard applicable at time of connection	Type 4	Export
589	14/07/2022	Metro East	SSD386	HH386E	0.03	0.00	0.03	0.03	Solar PV	1x 12.5 kVA Fronius International GmbH Symo 12.5-3-M, 2x 10 kVA Fronius International GmbH Symo 10.0-3-M	N/A	N/A	11/0.433	1000 kVA	Type A	As per AS4777 and SAPN EG standard applicable at time of connection	Type 4	Export
590	14/07/2022	Murraylands	SSD114	SD40200	4.95	0.00	4.95	4.46	Solar PV	2x 2475 kVA SMA Solar Technology AG SC-2475	N/A	N/A	33		Type C	As per AS4777 and SAPN EG standard applicable at time of connection	Type 2	Export
591	14/07/2022	Eastern Hills	SSD369	SD41300	1.34	0.00	1.34	1.10	Solar PV + Storage	13x 75 kVA SMA Solar Technology Ag Sunny Highpower PEAK1, 1x 366 kVA TESLA MOTORS AUSTRALIA PTY LTD POWERPACK 366KVA	N/A	N/A	33/0.433	1500 kVA	Type C	As per AS4777 and SAPN EG standard applicable at time of connection	Type 4	Export
592	14/07/2022	Eyre Peninsula	SSD133	WHY04	0.05	0.00	0.05	0.05	Solar PV	1x 50 kVA Jiangsu GoodWe Power Supply Technology Co Ltd GW50KN-MT	N/A	N/A	11/0.433	1500 kVA	Type A	As per AS4777 and SAPN EG standard applicable at time of connection	Type 4	Export
593	14/07/2022	Metro West	SSD351	AP351M	0.38	0.00	0.38	0.00	Solar PV	5x 75 kVA SMA Australia Pty Ltd SHP75-10	N/A	N/A	11		Type B	As per AS4777 and SAPN EG standard applicable at time of connection	Type 2	Non Export
594	14/07/2022	Metro East	SSD102	HH102C	0.08	0.00	0.08	0.08	Solar PV	1x 17.5 kVA Fronius International GmbH Symo 17.5-3-M, 1x 20 kVA Fronius International GmbH Symo 20.0-3-M, 1x 25 kVA Fronius Australia ECO 25.0-3-S, 1x 15 kVA Fronius International GmbH Symo 15.0-3-M	N/A	N/A	11/0.433	500 kVA	Type A	As per AS4777 and SAPN EG standard applicable at time of connection	Type 4	Export
595	14/07/2022	Metro South	SSD111	NL111A	0.08	0.00	0.08	0.08	Solar PV	4x 20 kVA Fronius International GmbH Symo 20.0-3-M	N/A	N/A	11/0.433	300 kVA	Type A	As per AS4777 and SAPN EG standard applicable at time of connection	Type 4	Export
596	14/07/2022	Metro South	SSD111	NL111D	0.11	0.00	0.11	0.11	Solar PV	1x 110 kVA Sungrow Power Supply Co Ltd SG110CX	N/A	N/A	11/0.433	750 kVA	Type A	As per AS4777 and SAPN EG standard	Type 4	Export

No.	Connection Date	Region	Substations	Feeder ID	Inverter Installed Capacity (MVA)	Rotating Installed Capacity (MVA)	Total Installed Capacity (MVA)	Allowable Export (MW)	Generation Fuel	Generating Unit Make & Model	Fault Contributions		Transformer Info		Protection and communication systems	Voltage control and reactive power capability	Single Line Diagram of the Connection Arrangement	Export Details
											At Connection Point	Ph-Ground	Voltage (kV)	Rating				
																applicable at time of connection		
597	14/07/2022	Metro North	SSD129	SA32	0.11	0.00	0.11	0.11	Solar PV	1x 25 kVA Fronius Australia ECO 25.0-3-S,3x 27 kVA Fronius Australia ECO 27.0-3-S	N/A	N/A	11/0.433	750 kVA	Type A	As per AS4777 and SAPN EG standard applicable at time of connection	Type 4	Export
598	14/07/2022	Metro East	SSD341	HH341C	0.08	0.00	0.08	0.02	Solar PV	1x 25 kVA SMA Australia Pty Ltd STP25000TL-30	N/A	N/A	11/0.433	300 kVA	Type A	As per AS4777 and SAPN EG standard applicable at time of connection	Type 4	Export
599	14/07/2022	CBD	SSD412	CBD412R	0.16	0.00	0.16	0.16	Solar PV	1x 55 kVA Huawei Technologies Co Ltd SUN2000-50KTL-M0,1x 15 kVA Huawei Technologies Co Ltd SUN2000-15kTL-M0,3x 29.9 kVA Huawei Technologies Co Ltd SUN2000-29.9KTL	N/A	N/A	11/0.433	500 kVA	Type A	As per AS4777 and SAPN EG standard applicable at time of connection	Type 4	Export
600	14/07/2022	Metro East	SSD145	HH145E	0.08	0.00	0.08	0.08	Solar PV	1x 27 kVA Fronius Australia ECO 27.0-3-S	N/A	N/A	11/0.433	750 kVA	Type A	As per AS4777 and SAPN EG standard applicable at time of connection	Type 4	Export
601	14/07/2022	South East	SSD195	MG41	0.10	0.00	0.10	0.10	Solar PV	2x 50 kVA SMA Solar Technology Ag SMA Sunny Tripower CORE1 STP 50-40	N/A	N/A	11/0.433	500 kVA	Type A	As per AS4777 and SAPN EG standard applicable at time of connection	Type 4	Export
602	14/07/2022	Mid North	SSD191	CL06	0.10	0.00	0.10	0.02	Solar PV	4x 25 kVA Fronius Australia ECO 25.0-3-S	N/A	N/A	11/0.433	1500 kVA	Type A	As per AS4777 and SAPN EG standard applicable at time of connection	Type 4	Export
603	12/07/2022	CBD	SSD366	CBD366L	0.00	0.07	0.07	0.07	Natural Gas Generator + Solar PV	1x 2.5 kVA unknown PV inverter unknown PV inverter,1x 65 kVA Capstone C65	N/A	N/A	11/0.433	1000 kVA	Type K	As per AS4777 and SAPN EG standard applicable at time of connection	Type 3	Export
604	12/07/2022	Metro South	SSD350	SM350D	0.00	0.20	0.20	0.00	Natural Gas Generator	3x 65 kVA Capstone C65	N/A	N/A	11/0.433	1500 kVA	Type E	As per AS4777 and SAPN EG standard applicable at time of connection	Type 3	Non Export
605	12/07/2022	Metro East	SSD103	CBD103D	0.00	1.92	1.92	0.00	Natural Gas Cogenerator	1x 1920 kVA GENERIC NON-INVERTER Natural Gas Cogen 1.92MW	N/A	N/A	11/0.433	1500 kVA	Type E	As per AS4777 and SAPN EG standard applicable at time of connection	Type 5	Non Export
606	12/07/2022	Metro South	SSD511	NL511D	0.00	0.26	0.26	0.00	Natural Gas Generator	1x 255 kVA GENERIC NON-INVERTER Natural Gas 255kVA	N/A	N/A	11/0.433	300 kVA	Type E	As per AS4777 and SAPN EG standard applicable at time of connection	Type 3	Non Export
607	11/07/2022	Metro North	SSD422	SD2008	0.00	4.00	4.00	0.00	Diesel Generator	1x 4000 kVA GENERIC NON-INVERTER Diesel 4MW	N/A	N/A	66		Type E	As per AS4777 and SAPN EG standard applicable at time of connection	Type 2	Non Export
608	11/07/2022	South East	SSD198	MI01	0.06	0.00	0.06	0.05	Solar PV	2x 30 kVA Ginlong Technologies Co Ltd GCI-30K-W	N/A	N/A	11/0.433	200 kVA	Type A	As per AS4777 and SAPN EG standard applicable at time of connection	Type 4	Export
609	8/07/2022	Metro West	SSD829	AP829D	0.00	4.00	4.00	4.00	Waste Gas Generator	1x 4000 kVA GENERIC NON-INVERTER Waste Gas 4MW	N/A	N/A	11		Type E	As per AS4777 and SAPN EG standard applicable at time of connection	Type 2	Export
610	8/07/2022	Metro West	SSD132	AP132C	0.00	4.00	4.00	4.00	Waste Gas Generator	1x 4000 kVA GENERIC NON-INVERTER Waste Gas 4MW	N/A	N/A	11		Type E	As per AS4777 and SAPN EG standard applicable at time of connection	Type 2	Export

No.	Connection Date	Region	Substations	Feeder ID	Inverter Installed Capacity (MVA)	Rotating Installed Capacity (MVA)	Total Installed Capacity (MVA)	Allowable Export (MW)	Generation Fuel	Generating Unit Make & Model	Fault Contributions		Transformer Info		Protection and communication systems	Voltage control and reactive power capability	Single Line Diagram of the Connection Arrangement	Export Details
											At Connection Point	Ph-Ground	Voltage (kV)	Rating				
611	8/07/2022	Metro West	SSD520	SA520B	0.14	0.00	0.14	0.11	Solar PV + Storage	3x 10 kVA Sungrow Power Supply Co Ltd SH10RT (AS4777-2 2020),1x 110 kVA Sungrow Power Supply Co Ltd SG110CX (AS4777-2 2020)	N/A	N/A	11/0.433	300 kVA	Type A	As per AS4777 and SAPN EG standard applicable at time of connection	Type 4	Export
612	8/07/2022	Riverland	SSD420	BM55	0.08	0.00	0.08	0.02	Solar PV	2x 40 kVA Huawei Technologies Co Ltd SUN2000-40KTL-M3 (AS4777-2 2020)	N/A	N/A	11/0.433	200 kVA	Type A	As per AS4777 and SAPN EG standard applicable at time of connection	Type 4	Export
613	7/07/2022	Yorke Peninsula	SSD418	MT06	0.04	0.00	0.04	0.02	Solar PV	1x 27 kVA Fronius Australia Pty Ltd Eco 27.0-3-S (AS4777-2 2020),1x 17.5 kVA Fronius International GmbH Symo 17.5-3-M	N/A	N/A	11/0.433	500 kVA	Type A	As per AS4777 and SAPN EG standard applicable at time of connection	Type 4	Export
614	6/07/2022	Metro North	SSD744	SA744C	0.12	0.00	0.12	0.10	Solar PV	1x 20 kVA SMA Australia Pty Ltd STP20000TL-30,3x 15 kVA SMA Australia Pty Ltd STP 15000TL-10,2x 25 kVA SMA Australia Pty Ltd STP25000TL-30	N/A	N/A	11/0.433	315 kVA	Type A	As per AS4777 and SAPN EG standard applicable at time of connection	Type 4	Export
615	6/07/2022	Metro East	SSD432	HH432D	2.20	0.00	2.20	2.00	Solar PV + Storage	15x 50 kVA SMA Australia Pty Ltd STP 50-40,1x 218 kVA Tesla Motors Australia Pty Ltd Powerpack 218kVA,3x 10 kVA SMA Solar Technology AG STP 10000TL-20,9x 50 kVA SMA Australia Pty Ltd STP 50-40	N/A	N/A	11/0.433	1000 kVA	Type C	As per AS4777 and SAPN EG standard applicable at time of connection	Type 4	Export
616	6/07/2022	South East	SSD224	BT03	0.00	0.48	0.48	0.00	Diesel Generator	1x 480 kVA Caterpillar G3412 Diesel Engine Caterpillar G3412 Diesel Engine	N/A	N/A	11/0.433	750 kVA	Type E	As per AS4777 and SAPN EG standard applicable at time of connection	Type 3	Non Export
617	4/07/2022	Eastern Hills	SSD247	MTB61	0.05	0.00	0.05	0.02	Solar PV	1x 5 kVA Shenzhen Growatt New Energy Co Ltd MOD 5000TL3-X (AS4777-2 2020),1x 10 kVA Shenzhen Growatt New Energy Co Ltd MOD 10KTL3-X-AU (AS4777-2 2020),1x 15 kVA SMA Australia Pty Ltd STP 15000TL-10	N/A	N/A	11/0.433	63 kVA	Type A	As per AS4777 and SAPN EG standard applicable at time of connection	Type 4	Export
618	1/07/2022	Yorke Peninsula	SSD791	GA08	0.05	0.00	0.05	0.05	Solar PV	1x 27 kVA Fronius Australia Pty Ltd Eco 27.0-3-S (AS4777-2 2020),102x 0.25 kVA Altenergy Power System Inc YC250I	N/A	N/A	11/0.433	500 kVA	Type A	As per AS4777 and SAPN EG standard applicable at time of connection	Type 4	Export
619	28/06/2022	Metro East	SSD130	HH130A	0.10	0.00	0.10	0.11	Solar PV	1x 99.99 kVA GoodWe Technologies Co Ltd GW100K-HT (AS4777-2 2020)	N/A	N/A	11/0.433	300 kVA	Type A	As per AS4777 and SAPN EG standard applicable at time of connection	Type 4	Export
620	27/06/2022	Fleurieu Peninsula	SSD324	KI41	0.05	0.00	0.05	0.02	Solar PV	4x 12.5 kVA (ABB) Power-One Italy S.p.A PVI-12.5-OUTD-AU	N/A	N/A	11/0.433	150 kVA	Type A	As per AS4777 and SAPN EG standard applicable at time of connection	Type 4	Export
621	23/06/2022	CBD	SSD367	CBD367M	0.06	0.00	0.06	0.06	Solar PV + Storage	2x 20 kVA Fronius International GmbH 20.0-3-M,1x 15 kVA Fronius International GmbH Symo 15.0-3-M,1x 5 kVA Tesla Motors Australia Pty Ltd AC Powerwall (AS4777-2 2020)	N/A	N/A	11/0.433	1000 kVA	Type A	As per AS4777 and SAPN EG standard applicable at time of connection	Type 4	Export
622	23/06/2022	Metro South	SSD137	SM137A	0.11	0.00	0.11	0.10	Solar PV	2x 55 kVA GoodWe GEP50-10 (AS4777-2 2020)	N/A	N/A	11/0.433	150 kVA	Type A	As per AS4777 and SAPN EG standard applicable at time of connection	Type 4	Export
623	21/06/2022	Yorke Peninsula	SSD776	SD51102	4.95	0.00	4.95	4.95	Solar PV	99x 50 kVA Chint Power Chint Power Cps SCA50KTL-T	N/A	N/A	33		Type C	As per AS4777 and SAPN EG standard applicable at time of connection	Type 2	Export
624	21/06/2022	Barossa	SSD788	NU34	0.10	0.00	0.10	0.10	Solar PV	5x 17 kVA SMA Australia Pty Ltd STP 17000TL-10,1x 15 kVA SMA Australia Pty Ltd STP 15000TL-10	N/A	N/A	11/0.433	200 kVA	Type A	As per AS4777 and SAPN EG standard	Type 4	Export

No.	Connection Date	Region	Substations	Feeder ID	Inverter Installed Capacity (MVA)	Rotating Installed Capacity (MVA)	Total Installed Capacity (MVA)	Allowable Export (MW)	Generation Fuel	Generating Unit Make & Model	Fault Contributions		Transformer Info		Protection and communication systems	Voltage control and reactive power capability	Single Line Diagram of the Connection Arrangement	Export Details
											At Connection Point	Ph-Ground	Voltage (kV)	Rating				
																applicable at time of connection		
625	16/06/2022	Metro East	SSD341	HH341H	0.04	0.00	0.04	0.02	Solar PV	1x 10 kVA Huawei Technologies Co Ltd SUN2000-10KTL-M2 (AS4777-2 2020), 1x 5.8 kVA Tesla Motors Australia Pty Ltd Powerwall 2, 2x 5 kVA Huawei Technologies Co Ltd SUN2000-5KTL-L1 (AS4777-2 2020), 1x 10 kVA Fronius International GmbH 10.0-3-M	N/A	N/A	11/0.433	315 kVA	Type A	As per AS4777 and SAPN EG standard applicable at time of connection	Type 4	Export
626	15/06/2022	Metro East	SSD341	HH341F	0.05	0.00	0.05	0.02	Solar PV	1x 20 kVA JIANGSU GOODWE POWER SUPPLY TECHNOLOGY CO LTD GW20KN-DT, 2x 15 kVA Fronius International GmbH Symo 15.0-3-M	N/A	N/A	11/0.433	500 kVA	Type A	As per AS4777 and SAPN EG standard applicable at time of connection	Type 4	Export
627	15/06/2022	Metro East	SSD386	HH386A	0.13	0.00	0.13	0.13	Solar PV + Storage	9x 5 kVA Tesla Motors Australia Pty Ltd AC Powerwall (AS4777-2 2020), 4x 20 kVA Fronius Australia Pty Ltd Symo 20.0-3-M (AS4777-2 2020)	N/A	N/A	11/0.433	315 kVA	Type A	As per AS4777 and SAPN EG standard applicable at time of connection	Type 4	Export
628	9/06/2022	Metro North	SSD744	SA744G	0.16	0.00	0.16	0.02	Solar PV	3x 27 kVA Fronius Australia Pty Ltd Eco 27.0-3-S (AS4777-2 2020), 3x 27 kVA Fronius Australia ECO 27.0-3-S	N/A	N/A	11/0.433	300 kVA	Type A	As per AS4777 and SAPN EG standard applicable at time of connection	Type 4	Export
629	6/06/2022	Metro North	SSD725	BS0098	4.50	0.00	4.50	4.50	Natural Gas Cogenerator	1x 4500 kVA GENERIC NON-INVERTER Natural Gas Cogenerator 4.5MW	N/A	N/A	11		Type C	As per AS4777 and SAPN EG standard applicable at time of connection	Type 2	Export
630	2/06/2022	Metro West	SSD227	AP227A	0.11	0.00	0.11	0.11	Solar PV	1x 110 kVA Sungrow Power Supply Co Ltd SG110CX	N/A	N/A	11/0.433	500 kVA	Type A	As per AS4777 and SAPN EG standard applicable at time of connection	Type 4	Export
631	31/05/2022	Metro North	SSD184	EL20	0.10	0.00	0.10	0.30	Solar PV	2x 25 kVA Fronius Australia 25.0-3-S, 2x 15 kVA Fronius International GmbH 15.0-3-M, 1x 20 kVA Fronius International GmbH Symo 20.0-3-M	N/A	N/A	11/0.433	750 kVA	Type A	As per AS4777 and SAPN EG standard applicable at time of connection	Type 4	Export
632	31/05/2022	Metro West	SSD520	SA520G	0.10	0.00	0.10	0.31	Solar PV	1x 20 kVA Fimer SpA PVS-20-TL-SX (Declaration), 3x 27.6 kVA (ABB) Power-One Italy S.p.A TRIO-27.6-TL-OUTD-400	N/A	N/A	11/0.433	315 kVA	Type A	As per AS4777 and SAPN EG standard applicable at time of connection	Type 4	Export
633	31/05/2022	Metro West	SSD520	SA520E	0.10	0.00	0.10	0.30	Solar PV	5x 20 kVA Schneider Electric (Australia) Pty Ltd Conext TL 20000E	N/A	N/A	11/0.433	500 kVA	Type A	As per AS4777 and SAPN EG standard applicable at time of connection	Type 4	Export
634	31/05/2022	Metro South	SSD544	NL544B	0.17	0.00	0.17	0.50	Solar PV	6x 27.6 kVA (ABB) Power-One Italy S.p.A TRIO-27.6-TL-OUTD-400	N/A	N/A	11/0.433	750 kVA	Type A	As per AS4777 and SAPN EG standard applicable at time of connection	Type 4	Export
635	31/05/2022	Yorke Peninsula	SSD780	SD34102	0.80	0.00	0.80	2.40	Solar PV	4x 50 kVA (ABB) Power-One Italy S.p.A TRIO-TM-50.0-400, 12x 50 kVA (ABB) Power-One Italy S.p.A PVS-50-TL	N/A	N/A	33/0.433	1000 kVA	Type C	As per AS4777 and SAPN EG standard applicable at time of connection	Type 4	Export
636	31/05/2022	Riverland	SSD168	WK11	0.10	0.00	0.10	0.21	Solar PV	10x 10 kVA SolaX Power Network Technology (Zhe jiang) Co Ltd X3-MIC-10K-G2 (Declaration)	N/A	N/A	11/0.433	100 kVA	Type A	As per AS4777 and SAPN EG standard applicable at time of connection	Type 4	Export
637	24/05/2022	Metro South	SSD456	MV61	0.09	0.00	0.09	0.03	Solar PV	376x 0.23 kVA Enphase Energy Australia Pty Ltd S230-60-LN-2-AU	N/A	N/A	11/0.433	150 kVA	Type A	As per AS4777 and SAPN EG standard applicable at time of connection	Type 4	Export

No.	Connection Date	Region	Substations	Feeder ID	Inverter Installed Capacity (MVA)	Rotating Installed Capacity (MVA)	Total Installed Capacity (MVA)	Allowable Export (MW)	Generation Fuel	Generating Unit Make & Model	Fault Contributions		Transformer Info		Protection and communication systems	Voltage control and reactive power capability	Single Line Diagram of the Connection Arrangement	Export Details
											At Connection Point	Ph-Ground	Voltage (kV)	Rating				
638	23/05/2022	Metro North	SSD501	SA42	0.04	0.00	0.04	0.04	Solar PV + Storage	4x 10 kVA JIANGSU GOODWE POWER SUPPLY TECHNOLOGY CO LTD GW10KL-ET	N/A	N/A	11/0.433	315 kVA	Type A	As per AS4777 and SAPN EG standard applicable at time of connection	Type 4	Export
639	23/05/2022	Barossa	SSD788	NU34	0.20	0.00	0.20	0.20	Solar PV	5x 25 kVA Fronius Australia ECO 25.0-3-S, 1x 20 kVA Fronius International GmbH Symo 20.0-3-M, 2x 27 kVA Fronius Australia 27.0-3-S	N/A	N/A	11/0.433	750 kVA	Type A	As per AS4777 and SAPN EG standard applicable at time of connection	Type 4	Export
640	23/05/2022	Metro North	SSD711	SA711D	4.72	0.00	4.72	0.00	Diesel Generator + Non IES + Solar PV	1x 10 kVA SMA Solar Technology AG SMC10000TL-10, 9x 75 kVA SMA Australia Pty Ltd SHP75-10, 2x 1500 kVA FG Wilson LL8224N, 2x 15 kVA SMA Australia Pty Ltd STP 15000TL-10, 1x 1000 kVA Unknown	N/A	N/A	11		Type B	As per AS4777 and SAPN EG standard applicable at time of connection	Type 2	Non Export
641	23/05/2022	Metro West	SSD427	ME427F	0.11	0.00	0.11	0.04	Solar PV	2x 55 kVA Huawei Technologies Co Ltd SUN2000-50KTL-M0	N/A	N/A	11/0.433	300 kVA	Type A	As per AS4777 and SAPN EG standard applicable at time of connection	Type 4	Export
642	23/05/2022	Riverland	SSD259	LX53	0.10	0.00	0.10	0.11	Solar PV	2x 50 kVA (ABB) Power-One Italy S.p.A PVS-50-TL	N/A	N/A	11/0.433	200 kVA	Type A	As per AS4777 and SAPN EG standard applicable at time of connection	Type 4	Export
643	23/05/2022	Barossa	SSD788	NU33	0.50	0.00	0.50	0.50	Solar PV	1x 20 kVA Fronius International GmbH Symo 20.0-3-M, 8x 25 kVA Fronius Australia ECO 25.0-3-S, 1x 15 kVA Fronius International GmbH Symo 15.0-3-M, 3x 20 kVA Fronius International GmbH Symo 20.0-3-M, 1x 27 kVA Fronius Australia ECO 27.0-3-S, 2x 10 kVA Fronius International GmbH Symo 10.0-3-M, 5x 25 kVA Fronius Australia 25.0-3-S, 2x 15 kVA Fronius International GmbH Symo 15.0-3-M	N/A	N/A	11/0.433	1000 kVA	Type C	As per AS4777 and SAPN EG standard applicable at time of connection	Type 4	Export
644	23/05/2022	Metro West	SSD146	AP146A	0.07	0.00	0.07	0.07	Solar PV	1x 17 kVA SolarEdge Technologies Ltd SE17K, 1x 50 kVA SolarEdge Technologies Ltd SE50K	N/A	N/A	11/0.433	1000 kVA	Type A	As per AS4777 and SAPN EG standard applicable at time of connection	Type 4	Export
645	23/05/2022	Metro North	SSD744	SA744H	0.11	0.00	0.11	0.11	Solar PV	1x 110 kVA Sungrow Power Supply Co Ltd SG110CX	N/A	N/A	11/0.433	300 kVA	Type A	As per AS4777 and SAPN EG standard applicable at time of connection	Type 4	Export
646	23/05/2022	Metro West	SSD344	AP344F	0.10	0.00	0.10	0.10	Solar PV	1x 100 kVA (ABB) Power-One Italy S.p.A PVS-100-TL	N/A	N/A	11/0.433	500 kVA	Type A	As per AS4777 and SAPN EG standard applicable at time of connection	Type 4	Export
647	23/05/2022	Upper North	SSD460	PP09	0.13	0.00	0.13	0.08	Solar PV + Storage	3x 7.5 kVA Selectronic Australia SPMC482-AU, 2x 5 kVA SMA Solar Technology AG SB5000TL-20, 4x 25 kVA Fronius Australia 25.0-3-S	N/A	N/A	11/0.433	300 kVA	Type A	As per AS4777 and SAPN EG standard applicable at time of connection	Type 4	Export
648	22/05/2022	Metro East	SSD121	HH121D	0.16	0.00	0.16	0.16	Solar PV	1x 15 kVA Fronius International GmbH Symo 15.0-3-M, 5x 27 kVA Fronius Australia ECO 27.0-3-S, 1x 12.5 kVA Fronius International GmbH Symo 12.5-3-M	N/A	N/A	11/0.433	750 kVA	Type A	As per AS4777 and SAPN EG standard applicable at time of connection	Type 4	Export
649	19/05/2022	Mid North	SSD230	GA53	0.22	0.00	0.22	0.22	Solar PV	8x 27 kVA Fronius Australia 27.0-3-S	N/A	N/A	11/0.433	750 kVA	Type C	As per AS4777 and SAPN EG standard applicable at time of connection	Type 4	Export

No.	Connection Date	Region	Substations	Feeder ID	Inverter Installed Capacity (MVA)	Rotating Installed Capacity (MVA)	Total Installed Capacity (MVA)	Allowable Export (MW)	Generation Fuel	Generating Unit Make & Model	Fault Contributions		Transformer Info		Protection and communication systems	Voltage control and reactive power capability	Single Line Diagram of the Connection Arrangement	Export Details
											At Connection Point	Ph-Ground	Voltage (kV)	Rating				
650	19/05/2022	Mid North	SSD230	GA53	0.15	0.00	0.15	0.15	Solar PV	6x 25 kVA Fronius Australia 25.0-3-S	N/A	N/A	11/0.433	750 kVA	Type A	As per AS4777 and SAPN EG standard applicable at time of connection	Type 4	Export
651	19/05/2022	Murraylands	SSD151	MB11	0.45	0.00	0.45	0.38	Solar PV	9x 50 kVA (ABB) Power-One Italy S.p.A TRIO-50.0-TL-OUTD	N/A	N/A	11/0.433	2000 kVA	Type C	As per AS4777 and SAPN EG standard applicable at time of connection	Type 4	Export
652	18/05/2022	Metro South	SSD200	ME200A	0.19	0.00	0.19	0.19	Solar PV	1x 27 kVA Fronius Australia 27.0-3-S,8x 20 kVA Fronius International GmbH Symo 20.0-3-M	N/A	N/A	11/0.433	500 kVA	Type A	As per AS4777 and SAPN EG standard applicable at time of connection	Type 4	Export
653	18/05/2022	Metro South	SSD349	SM349C	0.10	0.00	0.10	0.10	Solar PV	4x 25 kVA Fronius Australia 25.0-3-S	N/A	N/A	11/0.433	750 kVA	Type A	As per AS4777 and SAPN EG standard applicable at time of connection	Type 4	Export
654	18/05/2022	Mid North	SSD190	CL09	0.12	0.00	0.12	0.12	Solar PV	6x 20 kVA Delta Energy Systems (Germany) GmbH SOLIVIA20EUG4TL/EOE48010364	N/A	N/A	11/0.433	315 kVA	Type A	As per AS4777 and SAPN EG standard applicable at time of connection	Type 4	Export
655	18/05/2022	Mid North	SSD192	R02	0.10	0.00	0.10	0.09	Solar PV	4x 25 kVA SMA Australia Pty Ltd STP25000TL-30	N/A	N/A	11/0.433	300 kVA	Type A	As per AS4777 and SAPN EG standard applicable at time of connection	Type 4	Export
656	18/05/2022	Eastern Hills	SSD178	GU41	0.05	0.00	0.05	0.02	Solar PV	1x 50 kVA SolarEdge Technologies Ltd SE50K	N/A	N/A	11/0.433	300 kVA	Type A	As per AS4777 and SAPN EG standard applicable at time of connection	N/A	Export
657	18/05/2022	Metro West	SSD829	AP829K	0.11	0.00	0.11	0.11	Solar PV	1x 110 kVA Sungrow Power Supply Co Ltd SG110CX	N/A	N/A	11/0.433	750 kVA	Type A	As per AS4777 and SAPN EG standard applicable at time of connection	Type 4	Export
658	18/05/2022	Metro West	SSD227	AP227C	0.10	0.00	0.10	0.03	Solar PV	9x 11 kVA SMA Australia Pty Ltd 11000TL	N/A	N/A	11/0.433	500 kVA	Type A	As per AS4777 and SAPN EG standard applicable at time of connection	Type 4	Export
659	18/05/2022	Metro East	SSD341	HH341G	0.11	0.00	0.11	0.11	Solar PV	1x 110 kVA SMA Solar Technology AG Core 2 STP 110-60	N/A	N/A	11/0.433	1000 kVA	Type A	As per AS4777 and SAPN EG standard applicable at time of connection	Type 4	Export
660	18/05/2022	Metro North	SSD744	SA744G	0.41	0.00	0.41	0.41	Solar PV	15x 27.6 kVA (ABB) Power-One Italy S.p.A TRIO-27.6-TL-OUTD-400	N/A	N/A	11/0.433	1500 kVA	Type C	As per AS4777 and SAPN EG standard applicable at time of connection	Type 4	Export
661	18/05/2022	Riverland	SSD122	WK41	0.06	0.00	0.06	0.06	Solar PV	1x 17 kVA SolarEdge Technologies Ltd SE17K (AS4777-2 2020),1x 25 kVA SolarEdge Technologies Ltd SE25K (AS4777-2 2020),1x 15 kVA SolarEdge Technologies Ltd SE15K (AS4777-2 2020)	N/A	N/A	11/0.433	500 kVA	Type A	As per AS4777 and SAPN EG standard applicable at time of connection	Type 4	Export
662	18/05/2022	Riverland	SSD167	LX21	0.19	0.00	0.19	0.19	Solar PV	3x 50 kVA (ABB) Power-One Italy S.p.A TRIO-50.0-TL-OUTD,2x 20 kVA (ABB) Power-One Italy S.p.A TRIO-20.0-TL-OUTD-400	N/A	N/A	33/0.433	200 kVA	Type A	As per AS4777 and SAPN EG standard applicable at time of connection	Type 4	Export
663	18/05/2022	Metro South	SSD456	MV63	0.12	0.00	0.12	0.12	Solar PV	4x 29.9 kVA Sungrow Power Supply Co Ltd SG30CX	N/A	N/A	11/0.433	2000 kVA	Type A	As per AS4777 and SAPN EG standard applicable at time of connection	Type 4	Export
664	18/05/2022	Riverland	SSD259	LX53	0.10	0.00	0.10	0.05	Solar PV	2x 50 kVA (ABB) Power-One Italy S.p.A PVS-50-TL	N/A	N/A	11/0.433	200 kVA	Type A	As per AS4777 and SAPN EG standard	Type 4	Export

No.	Connection Date	Region	Substations	Feeder ID	Inverter Installed Capacity (MVA)	Rotating Installed Capacity (MVA)	Total Installed Capacity (MVA)	Allowable Export (MW)	Generation Fuel	Generating Unit Make & Model	Fault Contributions		Transformer Info		Protection and communication systems	Voltage control and reactive power capability	Single Line Diagram of the Connection Arrangement	Export Details
											At Connection Point	Ph-Ground	Voltage (kV)	Rating				
																applicable at time of connection		
665	18/05/2022	Metro East	SSD341	HH341A	0.25	0.00	0.25	0.00	Diesel Generator + Solar PV	1x 200 kVA GENERIC NON-INVERTER PLGPM108S,3x 17.5 kVA Fronius International GmbH Symo 17.5-3-M	N/A	N/A	11/0.433	300 kVA	Type B	As per AS4777 and SAPN EG standard applicable at time of connection	Type 4	Non Export
666	18/05/2022	Metro West	SSD829	AP829F	0.20	0.00	0.20	0.02	Solar PV	2x 100 kVA HUAWEI TECHNOLOGIES (AUSTRALIA) PTY LTD SUN2000-100KTL-M1	N/A	N/A	11/0.433	500 kVA	Type B	As per AS4777 and SAPN EG standard applicable at time of connection	Type 4	Export
667	18/05/2022	Mid North	SSD230	GA53	0.23	0.00	0.23	0.23	Solar PV	1x 15 kVA Fronius International GmbH Symo 15.0-3-M,4x 27 kVA Fronius Australia 27.0-3-S,2x 15 kVA Fronius International GmbH Symo 15.0-3-M,2x 25 kVA Fronius Australia 25.0-3-S,2x 12.5 kVA Fronius International GmbH Symo 12.5-3-M	N/A	N/A	11/0.433	1000 kVA	Type C	As per AS4777 and SAPN EG standard applicable at time of connection	Type 4	Export
668	17/05/2022	Riverland	SSD491	BS0200	4.95	0.00	4.95	3.30	Solar PV	2x 2475 kVA SMA Solar Technology AG SC-2475-10	N/A	N/A	3.3		Type C	As per AS4777 and SAPN EG standard applicable at time of connection	Type 2	Export
669	17/05/2022	Metro West	SSD344	AP344E	0.05	0.00	0.05	0.02	Solar PV	1x 50 kVA Sungrow Power Supply Co Ltd SG50CX (AS4777-2 2020)	N/A	N/A	11/0.433	200 kVA	Type A	As per AS4777 and SAPN EG standard applicable at time of connection	Type 4	Export
670	13/05/2022	Metro East	SSD522	HH522A	0.06	0.00	0.06	0.08	Solar PV + Storage	1x 27.6 kVA SolarEdge Technologies Ltd SE27.6K,2x 4.6 kVA Sonnen GmbH Hybrid 9.53/15	N/A	N/A	11/0.433	315 kVA	Type A	As per AS4777 and SAPN EG standard applicable at time of connection	Type 4	Export
671	11/05/2022	Mid North	SSD191	CL23	0.08	0.00	0.08	0.08	Solar PV	3x 27 kVA Fronius Australia ECO 27.0-3-S	N/A	N/A	11/0.433	200 kVA	Type A	As per AS4777 and SAPN EG standard applicable at time of connection	Type 4	Export
672	11/05/2022	Metro South	SSD137	SM137A	0.13	0.00	0.13	0.05	Solar PV	1x 10 kVA SMA Australia Pty Ltd STP 10000TL-10,5x 20 kVA Fronius Australia Pty Ltd Symo 20.0-3-M (AS4777-2 2020),1x 15 kVA Fronius Australia Pty Ltd Symo 15.0-3-M (AS4777-2 2020)	N/A	N/A	11/0.433	1000 kVA	Type A	As per AS4777 and SAPN EG standard applicable at time of connection	Type 4	Export
673	11/05/2022	Metro South	SSD137	SM137A	0.05	0.00	0.05	0.05	Solar PV	2x 15 kVA Fronius International GmbH Symo 15.0-3-M,2x 10 kVA Fronius International GmbH Symo 10.0-3-M	N/A	N/A	11/0.433	1000 kVA	Type A	As per AS4777 and SAPN EG standard applicable at time of connection	Type 4	Export
674	11/05/2022	Metro North	SSD407	SA19	0.20	0.00	0.20	0.00	Solar PV	2x 100 kVA Huawei Technologies Co Ltd SUN2000-100KTL-M1	N/A	N/A	11/0.433	300 kVA	Type B	As per AS4777 and SAPN EG standard applicable at time of connection	Type 4	Non Export
675	11/05/2022	Metro South	SSD137	SM137A	0.09	0.00	0.09	0.01	Solar PV	1x 10 kVA SMA Australia Pty Ltd STP 10000TL-10,3x 20 kVA Fronius Australia Pty Ltd Symo 20.0-3-M (AS4777-2 2020),1x 15 kVA Fronius Australia Pty Ltd Symo 15.0-3-M (AS4777-2 2020)	N/A	N/A	11/0.433	1000 kVA	Type A	As per AS4777 and SAPN EG standard applicable at time of connection	Type 4	Export
676	11/05/2022	Metro South	SSD350	SM350D	0.10	0.00	0.10	0.10	Solar PV	1x 20 kVA (ABB) Power-One Italy S.p.A TRIO-20.0-TL-OUTD-400,3x 27.6 kVA (ABB) Power-One Italy S.p.A TRIO-27.6-TL-OUTD-400	N/A	N/A	11/0.433	1500 kVA	Type A	As per AS4777 and SAPN EG standard applicable at time of connection	Type 4	Export
677	10/05/2022	Metro South	SSD216	SM216B	0.10	0.00	0.10	0.11	Solar PV	2x 50 kVA JIANGSU GOODWE POWER SUPPLY TECHNOLOGY CO LTD GW50KN-MT	N/A	N/A	11/0.433	300 kVA	Type A	As per AS4777 and SAPN EG standard applicable at time of connection	Type 4	Export

No.	Connection Date	Region	Substations	Feeder ID	Inverter Installed Capacity (MVA)	Rotating Installed Capacity (MVA)	Total Installed Capacity (MVA)	Allowable Export (MW)	Generation Fuel	Generating Unit Make & Model	Fault Contributions		Transformer Info		Protection and communication systems	Voltage control and reactive power capability	Single Line Diagram of the Connection Arrangement	Export Details
											At Connection Point	Ph-Ground	Voltage (kV)	Rating				
678	10/05/2022	Metro South	SSD544	NL544B	0.10	0.00	0.10	0.10	Solar PV	5x 20 kVA Delta Energy Systems (Germany) GmbH SOLIVIA20EUG4TL/EOE48010364	N/A	N/A	11/0.433	500 kVA	Type A	As per AS4777 and SAPN EG standard applicable at time of connection	Type 4	Export
679	10/05/2022	Eastern Hills	SSD438	SD38200	0.09	0.00	0.09	0.04	Solar PV + Storage	3x 20 kVA Selectronic Australia SPLC1202-20.0,2x 3.3 kVA Unknown Unknown,7x 3.8 kVA SMA Solar Technology AG SB3800	N/A	N/A	33/0.433	100 kVA	Type A	As per AS4777 and SAPN EG standard applicable at time of connection	Type 4	Export
680	10/05/2022	Barossa	SSD788	NU13	0.12	0.00	0.12	0.12	Solar PV	6x 20 kVA Delta Energy Systems (Germany) GmbH SOLIVIA20EUG4TL/EOE48010364	N/A	N/A	11/0.433	500 kVA	Type A	As per AS4777 and SAPN EG standard applicable at time of connection	Type 4	Export
681	10/05/2022	Metro East	SSD428	HH428C	0.07	0.00	0.07	0.04	Solar PV	1x 17 kVA Huawei Technologies Co Ltd SUN2000-17KTL-M0,1x 55 kVA Huawei Technologies Co Ltd SUN2000-50KTL-M0	N/A	N/A	11/0.433	200 kVA	Type A	As per AS4777 and SAPN EG standard applicable at time of connection	Type 4	Export
682	10/05/2022	Mid North	SSD745	GA745B	0.24	0.00	0.24	0.24	Device	9x 27 kVA Fronius Australia 27.0-3-S	N/A	N/A	11/0.433	2000 kVA	Type C	As per AS4777 and SAPN EG standard applicable at time of connection	Type 4	Export
683	10/05/2022	Mid North	SSD745	GA745B	0.18	0.00	0.18	0.18	Solar PV	9x 20 kVA Schneider Electric (Australia) Pty Ltd Conext TL 20000E	N/A	N/A	11/0.433	500 kVA	Type A	As per AS4777 and SAPN EG standard applicable at time of connection	Type 4	Export
684	10/05/2022	Metro South	SSD216	SM216A	0.10	0.00	0.10	0.10	Solar PV	1x 20 kVA Fronius International GmbH Symo 20.0-3-M	N/A	N/A	11/0.433	500 kVA	Type A	As per AS4777 and SAPN EG standard applicable at time of connection	Type 4	Export
685	10/05/2022	Metro West	SSD829	AP829A	0.10	0.00	0.10	0.10	Solar PV	5x 20 kVA Schneider Electric (Australia) Pty Ltd Conext TL 20000E	N/A	N/A	11/0.433	750 kVA	Type A	As per AS4777 and SAPN EG standard applicable at time of connection	Type 4	Export
686	10/05/2022	Mid North	SSD745	GA745B	1.63	0.00	1.63	1.16	Solar PV + Storage	1x 60 kVA Unknown Unknown,2x 15 kVA SMA Australia Pty Ltd STP 15000TL-10,15x 75 kVA SMA Australia Pty Ltd SHP75-10,1x 120 kVA Siemens Ltd 7TE31-2AA,5x 58 kVA Tesla Motors Australia Pty Ltd Powerpack 58kVA	N/A	N/A	11		Type C	As per AS4777 and SAPN EG standard applicable at time of connection	Type 2	Export
687	10/05/2022	Metro South	SSD349	SM349G	2.30	0.00	2.30	0.00	Non IES + Solar PV	10x 82.8 kVA SolarEdge Technologies Ltd SE82.8K,1x 50 kVA SolarEdge Technologies Ltd SE50K,1x 1425 kVA Unknown Unknown	N/A	N/A	11		Type B	As per AS4777 and SAPN EG standard applicable at time of connection	Type 2	Non Export
688	10/05/2022	CBD	SSD412	CBD412B	0.05	0.00	0.05	0.00	Solar PV	6x 8 kVA SMA Solar Technology AG SMC8000TL	N/A	N/A	11/0.433	1000 kVA	Type A	As per AS4777 and SAPN EG standard applicable at time of connection	Type 4	Non Export
689	10/05/2022	CBD	SSD366	CBD366G	0.08	0.00	0.08	0.10	Solar PV	2x 15 kVA SolarEdge Technologies Ltd SE15K,2x 25 kVA SolarEdge Technologies Ltd SE25K	N/A	N/A	11/0.433	1000 kVA	Type A	As per AS4777 and SAPN EG standard applicable at time of connection	Type 5	Export
690	10/05/2022	Metro North	SSD744	SA744C	0.11	0.00	0.11	0.11	Solar PV	4x 27 kVA Fronius Australia ECO 27.0-3-S	N/A	N/A	11/0.433	1000 kVA	Type A	As per AS4777 and SAPN EG standard applicable at time of connection	Type 4	Export
691	10/05/2022	Metro South	SSD115	NL115D	0.10	0.00	0.10	0.10	Solar PV	4x 25 kVA Fronius Australia ECO 25.0-3-S	N/A	N/A	11/0.433	1000 kVA	Type A	As per AS4777 and SAPN EG standard applicable at time of connection	Type 4	Export

No.	Connection Date	Region	Substations	Feeder ID	Inverter Installed Capacity (MVA)	Rotating Installed Capacity (MVA)	Total Installed Capacity (MVA)	Allowable Export (MW)	Generation Fuel	Generating Unit Make & Model	Fault Contributions		Transformer Info		Protection and communication systems	Voltage control and reactive power capability	Single Line Diagram of the Connection Arrangement	Export Details
											At Connection Point	Ph-Ground	Voltage (kV)	Rating				
692	10/05/2022	Metro North	SSD422	EL02	0.20	0.00	0.20	0.10	Solar PV	2x 50 kVA JIANGSU GOODWE POWER SUPPLY TECHNOLOGY CO LTD GW50K-MT,3x 33 kVA Shenzhen SOFARSOLAR Co Ltd SOFAR 33000TL-Sx	N/A	N/A	11/0.433	500 kVA	Type A	As per AS4777 and SAPN EG standard applicable at time of connection	Type 4	Export
693	10/05/2022	Metro West	SSD427	ME427A	0.10	0.00	0.10	0.03	Solar PV	363x 0.28 kVA Unknown Unknown	N/A	N/A	11		Type A	As per AS4777 and SAPN EG standard applicable at time of connection	Type 2	Export
694	10/05/2022	CBD	SSD367	CBD367F	0.10	0.00	0.10	0.10	Solar PV	4x 25 kVA SMA Solar Technology AG STP 25000TL-30	N/A	N/A	11/0.433	1000 kVA	Type A	As per AS4777 and SAPN EG standard applicable at time of connection	Type 4	Export
695	10/05/2022	Eyre Peninsula	SSD803	PL803C	0.19	0.00	0.19	0.19	Solar PV	1x 55 kVA Huawei Technologies Co Ltd SUN2000-50KTL-M0,3x 30 kVA Shenzhen SOFARSOLAR Co Ltd SOFAR 30000TL-Sx Series,2x 20 kVA Huawei Technologies Co Ltd SUN2000-20KTL-M0	N/A	N/A	11/0.433	500 kVA	Type A	As per AS4777 and SAPN EG standard applicable at time of connection	Type 4	Export
696	10/05/2022	Barossa	SSD788	NU13	0.10	0.00	0.10	0.10	Solar PV	5x 20 kVA Delta Energy Systems (Germany) GmbH SOLIVIA20EUG4TL/EOE48010364	N/A	N/A	11/0.433	1000 kVA	Type A	As per AS4777 and SAPN EG standard applicable at time of connection	Type 4	Export
697	10/05/2022	Metro South	SSD216	SM216A	0.20	0.00	0.20	0.20	Solar PV	2x 20 kVA Fronius International GmbH Symo 20.0-3-M,4x 27 kVA Fronius Australia ECO 27.0-3-S,2x 25 kVA Fronius Australia ECO 25.0-3-S	N/A	N/A	11/0.433	1000 kVA	Type A	As per AS4777 and SAPN EG standard applicable at time of connection	Type 4	Export
698	10/05/2022	Metro East	SSD432	HH432E	0.11	0.00	0.11	0.10	Solar PV + Storage	2x 5 kVA Tesla Motors Australia Pty Ltd AC Powerwall,4x 25 kVA SMA Australia Pty Ltd STP25000TL-30	N/A	N/A	11/0.433	750 kVA	Type A	As per AS4777 and SAPN EG standard applicable at time of connection	Type 4	Export
699	10/05/2022	Metro East	SSD432	HH432E	0.20	0.00	0.20	0.20	Solar PV	4x 50 kVA SMA Solar Technology Ag SMA Sunny Tripower CORE1 STP 50-40	N/A	N/A	11/0.433	750 kVA	Type B	As per AS4777 and SAPN EG standard applicable at time of connection	Type 4	Export
700	10/05/2022	Metro South	SSD350	SM350C	0.10	0.00	0.10	0.10	Solar PV	1x 20 kVA (ABB) Power-One Italy S.p.A TRIO-20.0-TL-OUTD-400,3x 27.6 kVA (ABB) Power-One Italy S.p.A TRIO-27.6-TL-OUTD-400	N/A	N/A	11/0.433	500 kVA	Type A	As per AS4777 and SAPN EG standard applicable at time of connection	Type 4	Export
701	10/05/2022	Metro West	SSD227	AP227D	0.13	0.00	0.13	0.13	Solar PV	3x 27 kVA Fronius Australia 27.0-3-S,1x 20 kVA Fronius International GmbH Symo 20.0-3-M,1x 25 kVA Fronius Australia 25.0-3-S	N/A	N/A	11/0.433	500 kVA	Type A	As per AS4777 and SAPN EG standard applicable at time of connection	Type 4	Export
702	10/05/2022	Metro West	SSD424	AP424A	0.10	0.00	0.10	0.10	Solar PV	5x 20 kVA Fronius International GmbH Symo 20.0-3-M	N/A	N/A	11/0.433	500 kVA	Type A	As per AS4777 and SAPN EG standard applicable at time of connection	Type 4	Export
703	10/05/2022	Metro North	SSD407	SA14	0.09	0.00	0.09	0.03	Solar PV	377x 0.23 kVA Enphase Energy Australia Pty Ltd S230-60-LN-2-AU	N/A	N/A	11/0.433	2000 kVA	Type A	As per AS4777 and SAPN EG standard applicable at time of connection	N/A	Export
704	10/05/2022	Riverland	SSD420	BM54	0.10	0.00	0.10	0.10	Solar PV	4x 25 kVA Fronius Australia ECO 25.0-3-S	N/A	N/A	11/0.433	500 kVA	Type A	As per AS4777 and SAPN EG standard applicable at time of connection	Type 4	Export
705	10/05/2022	Metro East	SSD130	HH130E	0.26	0.00	0.26	0.00	Non IES + Solar PV	1x 5 kVA Fronius International GmbH Symo 5.0-3-M,1x 250 kVA Unknown Unknown	N/A	N/A	11/0.433	2000 kVA	Type B	As per AS4777 and SAPN EG standard applicable at time of connection	Type 4	Non Export

No.	Connection Date	Region	Substations	Feeder ID	Inverter Installed Capacity (MVA)	Rotating Installed Capacity (MVA)	Total Installed Capacity (MVA)	Allowable Export (MW)	Generation Fuel	Generating Unit Make & Model	Fault Contributions		Transformer Info		Protection and communication systems	Voltage control and reactive power capability	Single Line Diagram of the Connection Arrangement	Export Details
											At Connection Point	Ph-Ground	Voltage (kV)	Rating				
706	10/05/2022	Metro South	SSD521	MV15	0.10	0.00	0.10	0.10	Solar PV	5x 20 kVA Schneider Electric (Australia) Pty Ltd Conext TL 20000E	N/A	N/A	11/0.433	500 kVA	Type A	As per AS4777 and SAPN EG standard applicable at time of connection	Type 4	Export
707	9/05/2022	Metro East	SSD102	HH102D	0.10	0.00	0.10	0.10	Solar PV + Storage	2x 5 kVA Tesla Motors Australia Pty Ltd AC Powerwall,303x 0.29 kVA Enphase Energy New Zealand Limited IQ7PLUS-72-2-INT	N/A	N/A	11/0.433	500 kVA	Type A	As per AS4777 and SAPN EG standard applicable at time of connection	Type 4	Export
708	9/05/2022	Riverland	SSD420	BM55	0.17	0.00	0.17	0.17	Solar PV	6x 27.6 kVA (ABB) Power-One Italy S.p.A TRIO-27.6-TL-OUTD-400	N/A	N/A	11/0.433	200 kVA	Type A	As per AS4777 and SAPN EG standard applicable at time of connection	Type 4	Export
709	9/05/2022	Metro West	SSD427	ME427F	0.22	0.00	0.22	0.09	Solar PV	4x 55 kVA Huawei Technologies Co Ltd SUN2000-50KTL-M0	N/A	N/A	11/0.433	300 kVA	Type B	As per AS4777 and SAPN EG standard applicable at time of connection	Type 4	Export
710	9/05/2022	Murraylands	SSD114	SD40200	0.10	0.00	0.10	0.10	Solar PV	1x 20 kVA Fronius Australia Pty Ltd Symo 20.0-3-M (AS4777-2 2020),2x 25 kVA Fronius Australia ECO 25.0-3-S,1x 27 kVA Fronius Australia Pty Ltd Eco 27.0-3-S (AS4777-2 2020)	N/A	N/A	33/0.433	1500 kVA	Type A	As per AS4777 and SAPN EG standard applicable at time of connection	Type 4	Export
711	9/05/2022	Eastern Hills	SSD247	MTB63	0.16	0.00	0.16	0.16	Solar PV	6x 27 kVA Fronius Australia 27.0-3-S	N/A	N/A	11/0.433	315 kVA	Type A	As per AS4777 and SAPN EG standard applicable at time of connection	Type 4	Export
712	9/05/2022	CBD	SSD366	CBD366E	0.64	0.00	0.64	0.00	Natural Gas Cogenerator	1x 635 kVA GE Jenbacher JMC 312 GS N.L	N/A	N/A	11/0.433	2000 kVA	Type B	As per AS4777 and SAPN EG standard applicable at time of connection	N/A	Non Export
713	9/05/2022	Metro South	SSD115	NL115E	0.09	0.00	0.09	0.03	Solar PV	377x 0.23 kVA Enphase Energy Australia Pty Ltd S230-60-LN-2-AU	N/A	N/A	11/0.433	500 kVA	Type A	As per AS4777 and SAPN EG standard applicable at time of connection	Type 4	Export
714	9/05/2022	Metro North	SSD422	EL04	0.20	0.00	0.20	0.10	Solar PV	2x 50 kVA Jiangsu GoodWe Power Supply Technology Co Ltd GW50K-MT	N/A	N/A	11/0.433	1000 kVA	Type B	As per AS4777 and SAPN EG standard applicable at time of connection	Type 4	Export
715	9/05/2022	Metro South	SSD234	MV12	0.19	0.00	0.19	0.20	Solar PV	1x 20 kVA (ABB) Power-One Italy S.p.A TRIO-20.0-TL-OUTD-400,6x 27.6 kVA (ABB) Power-One Italy S.p.A TRIO-27.6-TL-OUTD-400	N/A	N/A	11/0.433	750 kVA	Type A	As per AS4777 and SAPN EG standard applicable at time of connection	Type 4	Export
716	6/05/2022	Fleurieu Peninsula	SSD340	VH45	0.10	0.00	0.10	0.10	Solar PV	5x 20 kVA Fronius International GmbH Symo 20.0-3-M	N/A	N/A	11/0.433	500 kVA	Type A	As per AS4777 and SAPN EG standard applicable at time of connection	Type 4	Export
717	6/05/2022	Metro West	SSD829	AP829G	0.20	0.00	0.20	0.20	Solar PV	8x 25 kVA Fronius Australia 25.0-3-S	N/A	N/A	11/0.433	750 kVA	Type C	As per AS4777 and SAPN EG standard applicable at time of connection	Type 4	Export
718	6/05/2022	Metro East	SSD428	HH428B	0.10	0.00	0.10	0.10	Solar PV	1x 6 kVA SMA Australia Pty Ltd SMC6000A,2x 20 kVA (ABB) Power-One Italy S.p.A TRIO-20.0-TL-OUTD-400,2x 27.6 kVA (ABB) Power-One Italy S.p.A TRIO-27.6-TL-OUTD-400	N/A	N/A	11/0.433	750 kVA	Type A	As per AS4777 and SAPN EG standard applicable at time of connection	Type 4	Export
719	6/05/2022	Metro West	SSD520	SA520F	0.40	0.00	0.40	0.19	Solar PV	8x 50 kVA SMA Australia Pty Ltd STP 50-40	N/A	N/A	11/0.433	1500 kVA	Type B	As per AS4777 and SAPN EG standard applicable at time of connection	Type 4	Export

No.	Connection Date	Region	Substations	Feeder ID	Inverter Installed Capacity (MVA)	Rotating Installed Capacity (MVA)	Total Installed Capacity (MVA)	Allowable Export (MW)	Generation Fuel	Generating Unit Make & Model	Fault Contributions		Transformer Info		Protection and communication systems	Voltage control and reactive power capability	Single Line Diagram of the Connection Arrangement	Export Details
											At Connection Point	Ph-Ground	Voltage (kV)	Rating				
720	5/05/2022	Metro North	SSD129	SA34	0.08	0.00	0.08	0.02	Solar PV	3x 27 kVA Fronius Australia 27.0-3-S	N/A	N/A	11/0.433	30 kVA	Type A	As per AS4777 and SAPN EG standard applicable at time of connection	Type 4	Export
721	5/05/2022	Eastern Hills	SSD218	MTB53	0.28	0.00	0.28	0.18	Solar PV	1x 29.9 kVA Huawei Technologies Co Ltd SUN2000-29.9KTL,3x 27.6 kVA (ABB) Power-One Italy S.p.A TRIO-27.6-TL-OUTD-400,3x 55 kVA Huawei Technologies Co Ltd SUN2000-50KTL-M0	N/A	N/A	11/0.433	315 kVA	Type B	As per AS4777 and SAPN EG standard applicable at time of connection	Type 4	Export
722	4/05/2022	Metro West	SSD829	AP829D	0.10	0.00	0.10	0.02	Solar PV	4x 25 kVA Fronius Australia Pty Ltd Eco 25.0-3-S (AS4777-2 2020)	N/A	N/A	11/0.433	500 kVA	Type A	As per AS4777 and SAPN EG standard applicable at time of connection	Type 4	Export
723	4/05/2022	Metro North	SSD744	SA744C	0.11	0.00	0.11	0.11	Solar PV	3x 27 kVA Fronius Australia ECO 27.0-3-S,1x 27 kVA Fronius Australia ECO 27.0-3-S	N/A	N/A	11/0.433	300 kVA	Type A	As per AS4777 and SAPN EG standard applicable at time of connection	Type 4	Export
724	4/05/2022	Metro North	SSD744	SA744C	0.08	0.00	0.08	0.02	Solar PV	2x 27 kVA Fronius Australia 27.0-3-S,1x 27 kVA Fronius Australia ECO 27.0-3-S	N/A	N/A	11/0.433	300 kVA	Type A	As per AS4777 and SAPN EG standard applicable at time of connection	Type 4	Export
725	4/05/2022	Murraylands	SSD809	MB94	0.16	0.00	0.16	0.16	Solar PV	6x 27 kVA Fronius Australia 27.0-3-S	N/A	N/A	11/0.433	1500 kVA	Type A	As per AS4777 and SAPN EG standard applicable at time of connection	Type 4	Export
726	4/05/2022	Metro West	SSD344	AP344F	0.10	0.00	0.10	0.10	Solar PV	5x 20 kVA Fronius International GmbH 20.0-3-M	N/A	N/A	11/0.433	1500 kVA	Type A	As per AS4777 and SAPN EG standard applicable at time of connection	Type 4	Export
727	4/05/2022	Metro West	SSD355	AP355F	0.10	0.00	0.10	0.02	Solar PV	2x 50 kVA SMA Australia Pty Ltd STP 50-40	N/A	N/A	11/0.433	315 kVA	Type A	As per AS4777 and SAPN EG standard applicable at time of connection	Type 4	Export
728	4/05/2022	Murraylands	SSD809	MB94	0.12	0.00	0.12	0.12	Solar PV	1x 17.5 kVA Fronius International GmbH Symo 17.5-3-M,1x 20 kVA Fronius International GmbH Symo 20.0-3-M	N/A	N/A	11/0.433	315 kVA	Type A	As per AS4777 and SAPN EG standard applicable at time of connection	Type 4	Export
729	29/04/2022	Upper North	SSD333	PA07	0.10	0.00	0.10	0.02	Solar PV + Storage	3x 15 kVA Fronius International GmbH Symo 15.0-3-M,1x 27.6 kVA (ABB) Power-One Italy S.p.A TRIO-27.6-TL-OUTD-S2F-400,3x 7.5 kVA Selectronic Australia SPMC482-AU	N/A	N/A	11/0.433	315 kVA	Type A	As per AS4777 and SAPN EG standard applicable at time of connection	Type 4	Export
730	28/04/2022	Metro South	SSD544	NL544A	0.60	3.20	3.80	3.80	Solar PV + Waste Gas Generator	6x 100 kVA SMA AUSTRALIA PTY LTD 100-20,3x 1067 kVA GE Jenbacher JGC 320 GS-D121 w/ Stamford PE 734E alternator	N/A	N/A	11		Type K	As per AS4777 and SAPN EG standard applicable at time of connection	Type 2	Export
731	28/04/2022	Metro South	SSD456	MV63	0.08	0.00	0.08	0.02	Solar PV	3x 25 kVA Ginlong Technologies Co Ltd Solis-25K-5G-AU (Declaration)	N/A	N/A	11/0.433	500 kVA	Type A	As per AS4777 and SAPN EG standard applicable at time of connection	Type 4	Export
732	26/04/2022	Metro West	SSD424	AP424C	0.06	0.00	0.06	0.02	Solar PV	3x 20 kVA Fronius International GmbH Symo 20.0-3-M	N/A	N/A	11/0.433	200 kVA	Type A	As per AS4777 and SAPN EG standard applicable at time of connection	Type 4	Export
733	24/04/2022	Fleurieu Peninsula	SSD368	VH15	0.05	0.00	0.05	0.05	Solar PV	1x 25 kVA Fronius Australia Pty Ltd Eco 25.0-3-S (AS4777-2 2020),1x 20 kVA Fronius Australia Pty Ltd Symo 20.0-3-M (AS4777-2 2020)	N/A	N/A	11/0.433	200 kVA	Type A	As per AS4777 and SAPN EG standard applicable at time of connection	Type 4	Export

No.	Connection Date	Region	Substations	Feeder ID	Inverter Installed Capacity (MVA)	Rotating Installed Capacity (MVA)	Total Installed Capacity (MVA)	Allowable Export (MW)	Generation Fuel	Generating Unit Make & Model	Fault Contributions		Transformer Info		Protection and communication systems	Voltage control and reactive power capability	Single Line Diagram of the Connection Arrangement	Export Details
											At Connection Point	Ph-Ground	Voltage (kV)	Rating				
734	13/04/2022	South East	SSD299	NA52	0.08	0.00	0.08	0.02	Solar PV	3x 27 kVA Fronius Australia Pty Ltd Eco 27.0-3-S (AS4777-2 2020)	N/A	N/A	11/0.433	500 kVA	Type A	As per AS4777 and SAPN EG standard applicable at time of connection	Type 4	Export
735	11/04/2022	Eyre Peninsula	SSD196	PL07	0.08	0.00	0.08	0.08	Solar PV	3x 27 kVA Fronius Australia 27.0-3-S	N/A	N/A	11/0.433	315 kVA	Type A	As per AS4777 and SAPN EG standard applicable at time of connection	Type 4	Export
736	10/04/2022	Riverland	SSD492	BS0201	2.50	0.00	2.50	1.80	Solar PV	1x 2500 kVA SMA Solar Technology AG SC-2500-EV-10	N/A	N/A	3.3		Type C	As per AS4777 and SAPN EG standard applicable at time of connection	Type 2	Export
737	26/03/2022	Metro East	SSD341	HH341C	0.10	0.00	0.10	0.02	Solar PV	3x 33.3 kVA SolarEdge Technologies Ltd SE33.3K (AS4777-2 2020)	N/A	N/A	11/0.433	300 kVA	Type A	As per AS4777 and SAPN EG standard applicable at time of connection	Type 4	Export
738	24/03/2022	Yorke Peninsula	SSD780	SD34102	0.11	0.00	0.11	0.11	Solar PV	1x 110 kVA SMA Solar Technology AG Core 2 STP 110-60	N/A	N/A	33/0.433	1000 kVA	Type A	As per AS4777 and SAPN EG standard applicable at time of connection	Type 4	Export
739	19/03/2022	Metro West	SSD427	ME427F	0.11	0.00	0.11	0.10	Solar PV	1x 110 kVA Sungrow Power Supply Co Ltd SG110CX	N/A	N/A	11		Type A	As per AS4777 and SAPN EG standard applicable at time of connection	Type 2	Export
740	17/03/2022	Metro East	SSD121	HH121C	0.11	0.00	0.11	0.11	Solar PV + Storage	1x 25 kVA SMA Australia Pty Ltd STP25000TL-30, 1x 20 kVA SMA Australia Pty Ltd STP20000TL-30, 3x 4.6 kVA Sonnen GmbH Hybrid 9.53/15	N/A	N/A	11/0.433	1000 kVA	Type A	As per AS4777 and SAPN EG standard applicable at time of connection	Type 4	Export
741	16/03/2022	Fleurieu Peninsula	SSD317	MV32	0.05	0.00	0.05	0.08	Solar PV	1x 50 kVA Fronius Australia Pty Ltd Tauro 50-3-D (AS4777-2 2020)	N/A	N/A	11/0.433	100 kVA	Type A	As per AS4777 and SAPN EG standard applicable at time of connection	Type 4	Export
742	10/03/2022	Mid North	SSD191	CL23	0.11	0.00	0.11	0.02	Solar PV	1x 110 kVA Sungrow Power Supply Co Ltd SG110CX	N/A	N/A	11/0.433	1000 kVA	Type A	As per AS4777 and SAPN EG standard applicable at time of connection	Type 4	Export
743	4/03/2022	Metro South	SSD179	SM179A	0.22	0.00	0.22	0.22	Solar PV	2x 110 kVA SMA Solar Technology AG STP 110-60	N/A	N/A	11/0.433	1500 kVA	Type C	As per AS4777 and SAPN EG standard applicable at time of connection	Type 4	Export
744	3/03/2022	Eastern Hills	SSD178	GU41	0.06	0.00	0.06	0.02	Solar PV	2x 30 kVA Ginlong Technologies Co Ltd Solis-30K-5G-AU	N/A	N/A	11/0.433	150 kVA	Type A	As per AS4777 and SAPN EG standard applicable at time of connection	Type 4	Export
745	3/03/2022	Metro South	SSD216	SM216G	0.08	0.00	0.08	0.08	Solar PV	1x 17 kVA SMA Australia Pty Ltd STP17000TL, 1x 30 kVA SolarEdge Technologies Ltd SE30K (AS4777-2 2020), 2x 15 kVA SMA Solar Technology AG STP 15000TL-10	N/A	N/A	11/0.433	300 kVA	Type A	As per AS4777 and SAPN EG standard applicable at time of connection	Type 4	Export
746	2/03/2022	Riverland	SSD122	WK43	0.05	0.00	0.05	0.05	Solar PV	1x 25 kVA SMA Australia Pty Ltd STP25000TL-30	N/A	N/A	11/0.433	150 kVA	Type A	As per AS4777 and SAPN EG standard applicable at time of connection	Type 4	Export
747	23/02/2022	Metro North	SSD260	EL260D	0.04	0.00	0.04	0.04	Solar PV	1x 5 kVA Beijing Kinglong New Energy Technology Co Sunteams 5000, 2x 5 kVA Delta Electronics Inc H5A_221, 1x 20 kVA Sungrow Power Supply Co Ltd SG20RT (AS4777-2 2020)	N/A	N/A	11/0.433	2000 kVA	Type A	As per AS4777 and SAPN EG standard applicable at time of connection	Type 4	Export

No.	Connection Date	Region	Substations	Feeder ID	Inverter Installed Capacity (MVA)	Rotating Installed Capacity (MVA)	Total Installed Capacity (MVA)	Allowable Export (MW)	Generation Fuel	Generating Unit Make & Model	Fault Contributions		Transformer Info		Protection and communication systems	Voltage control and reactive power capability	Single Line Diagram of the Connection Arrangement	Export Details
											At Connection Point	Ph-Ground	Voltage (kV)	Rating				
748	15/02/2022	Metro North	SSD422	EL04	0.04	0.00	0.04	0.04	Solar PV	2x 20 kVA Fronius International GmbH Symo 20.0-3-M	N/A	N/A	11/0.433	300 kVA	Type A	As per AS4777 and SAPN EG standard applicable at time of connection	Type 4	Export
749	15/02/2022	Barossa	SSD387	R21	0.09	0.00	0.09	0.10	Solar PV	3x 29.9 kVA Sungrow Power Supply Co Ltd SG30CX (AS4777-2 2020)	N/A	N/A	11/0.433	200 kVA	Type A	As per AS4777 and SAPN EG standard applicable at time of connection	Type 4	Export
750	15/02/2022	Metro North	SSD273	EL15	0.17	0.00	0.17	0.20	Solar PV	2x 82.8 kVA SolarEdge Technologies Ltd SE82.8K (AS4777-2 2020)	N/A	N/A	11/0.433	500 kVA	Type A	As per AS4777 and SAPN EG standard applicable at time of connection	Type 4	Export
751	14/02/2022	Metro East	SSD102	HH102D	0.08	0.00	0.08	0.08	Solar PV	1x 25 kVA Fronius Australia Pty Ltd Eco 25.0-3-S (AS4777-2 2020), 1x 25 kVA SolarEdge Technologies Ltd SE25K	N/A	N/A	11/0.433	500 kVA	Type A	As per AS4777 and SAPN EG standard applicable at time of connection	Type 4	Export
752	8/02/2022	Metro West	SSD520	SA520H	0.11	0.00	0.11	0.11	Solar PV	1x 110 kVA Sungrow Power Supply Co Ltd SG110CX	N/A	N/A	11/0.433	500 kVA	Type A	As per AS4777 and SAPN EG standard applicable at time of connection	Type 4	Export
753	8/02/2022	Metro West	SSD520	SA520B	0.11	0.00	0.11	0.11	Solar PV	1x 110 kVA SMA Solar Technology AG STP 110-60	N/A	N/A	11/0.433	300 kVA	Type A	As per AS4777 and SAPN EG standard applicable at time of connection	Type 4	Export
754	7/02/2022	Metro East	SSD103	CBD103F	0.08	0.00	0.08	0.08	Solar PV	2x 29.9 kVA JIANGSU GOODWE POWER SUPPLY TECHNOLOGY CO LTD GW29.9K-MT, 1x 20 kVA JIANGSU GOODWE POWER SUPPLY TECHNOLOGY CO LTD GW20KN-DT	N/A	N/A	11/0.433	500 kVA	Type A	As per AS4777 and SAPN EG standard applicable at time of connection	Type 4	Export
755	3/02/2022	Metro East	SSD496	HH496C	0.04	0.00	0.04	0.02	Solar PV	1x 27.6 kVA SolarEdge Technologies Ltd SE27.6K, 1x 12 kVA Sungrow Power Supply Co Ltd SG12RT	N/A	N/A	11/0.433	150 kVA	Type A	As per AS4777 and SAPN EG standard applicable at time of connection	Type 4	Export
756	2/02/2022	Metro South	SSD200	ME200C	0.10	0.00	0.10	0.09	Solar PV	1x 100 kVA Sungrow Power Supply Co Ltd SG110CX (AS4777-2 2020)	N/A	N/A	11/0.433	750 kVA	Type A	As per AS4777 and SAPN EG standard applicable at time of connection	Type 4	Export
757	2/02/2022	CBD	SSD412	CBD412F	0.07	0.00	0.07	0.02	Solar PV	1x 20 kVA Jiangsu Zeversolar New Energy Co Ltd TLC20K, 60x 0.5 kVA Altenergy Power System Inc YC500A, 1x 20 kVA Fronius International GmbH Symo 20.0-3-M	N/A	N/A	11/0.433	1000 kVA	Type A	As per AS4777 and SAPN EG standard applicable at time of connection	Type 4	Export
758	25/01/2022	Metro South	SSD234	MV12	0.08	0.00	0.08	0.02	Solar PV	1x 82.8 kVA SolarEdge Technologies Ltd SE82.8K (AS4777-2 2020)	N/A	N/A	11/0.433	150 kVA	Type A	As per AS4777 and SAPN EG standard applicable at time of connection	Type 4	Export
759	25/01/2022	Metro North	SSD129	SA33	0.05	0.00	0.05	0.05	Solar PV	1x 50 kVA Sungrow Power Supply Co Ltd SG50CX (AS4777-2 2020)	N/A	N/A	11/0.433	500 kVA	Type A	As per AS4777 and SAPN EG standard applicable at time of connection	Type 4	Export
760	25/01/2022	Metro South	SSD234	NL234B	0.11	0.00	0.11	0.11	Solar PV	1x 110 kVA Sungrow Power Supply Co Ltd SG110CX	N/A	N/A	11/0.433	315 kVA	Type A	As per AS4777 and SAPN EG standard applicable at time of connection	Type 4	Export
761	25/01/2022	Metro West	SSD139	AP139D	0.10	0.00	0.10	0.10	Solar PV	1x 15 kVA SMA Australia Pty Ltd STP 15000TL-10, 1x 20 kVA SMA Australia Pty Ltd STP20000TL-30, 2x 25 kVA SMA Australia Pty Ltd STP25000TL-30	N/A	N/A	11/0.433	750 kVA	Type A	As per AS4777 and SAPN EG standard applicable at time of connection	Type 4	Export
762	20/01/2022	Metro North	SSD273	EL23	0.12	0.00	0.12	0.03	Solar PV	4x 29.9 kVA Sungrow Power Supply Co Ltd SG30CX	N/A	N/A	11/0.433	2000 kVA	Type A	As per AS4777 and SAPN EG standard	Type 4	Export

No.	Connection Date	Region	Substations	Feeder ID	Inverter Installed Capacity (MVA)	Rotating Installed Capacity (MVA)	Total Installed Capacity (MVA)	Allowable Export (MW)	Generation Fuel	Generating Unit Make & Model	Fault Contributions		Transformer Info		Protection and communication systems	Voltage control and reactive power capability	Single Line Diagram of the Connection Arrangement	Export Details
											At Connection Point	Ph-Ground	Voltage (kV)	Rating				
																applicable at time of connection		
763	19/01/2022	CBD	SSD412	CBD412S	0.08	0.00	0.08	0.02	Solar PV	1x 50 kVA Sungrow Power Supply Co Ltd SG50CX, 1x 29.9 kVA Sungrow Power Supply Co Ltd SG30CX	N/A	N/A	11/0.433	300 kVA	Type A	As per AS4777 and SAPN EG standard applicable at time of connection	Type 4	Export
764	13/01/2022	Metro East	SSD403	HH403A	0.15	0.00	0.15	0.08	Solar PV	1x 29.9 kVA Sungrow Power Supply Co Ltd SG30CX (AS4777-2 2020), 1x 50 kVA Sungrow Power Supply Co Ltd SG50CX (AS4777-2 2020), 1x 5 kVA Beijing Kinglong New Energy Technology Co Sunteams 5000, 14x 4.6 kVA Samil Power Co Ltd SolarRiver 5200TL, 1x 5 kVA Delta Electronics Inc H5A_220	N/A	N/A	11/0.433	1500 kVA	Type A	As per AS4777 and SAPN EG standard applicable at time of connection	Type 4	Export
765	11/01/2022	Metro South	SSD116	ME116D	0.04	0.00	0.04	0.02	Solar PV + Storage	9x 4.6 kVA Sonnen GmbH Hybrid 9.53/15	N/A	N/A	11/0.433	200 kVA	Type A	As per AS4777 and SAPN EG standard applicable at time of connection	Type 4	Export
766	11/01/2022	Metro West	SSD227	AP227A	0.10	0.00	0.10	0.02	Solar PV	1x 15 kVA Fronius International GmbH Symo 15.0-3-M, 3x 27 kVA Fronius Australia Pty Ltd Eco 27.0-3-S (AS4777-2 2020)	N/A	N/A	11/0.433	300 kVA	Type A	As per AS4777 and SAPN EG standard applicable at time of connection	Type 4	Export
767	10/01/2022	South East	SSD195	MG45	0.05	0.00	0.05	0.02	Solar PV	1x 50 kVA SolarEdge Technologies Ltd SE50K	N/A	N/A	11/0.433	500 kVA	Type A	As per AS4777 and SAPN EG standard applicable at time of connection	Type 4	Export
768	7/01/2022	Metro West	SSD829	AP829A	0.43	0.00	0.43	0.43	OTHER IES + Solar PV	1x 330 kVA Vacon NXA_0460 5 AOTO2SF, 4x 25 kVA Fronius Australia 25.0-3-S	N/A	N/A	11/0.433	1500 kVA	Type C	As per AS4777 and SAPN EG standard applicable at time of connection	Type 4	Export
769	7/01/2022	Metro West	SSD139	AP139C	0.09	0.00	0.09	0.09	Solar PV	4x 20 kVA Fronius International GmbH Symo 20.0-3-M, 1x 8.2 kVA Fronius International GmbH Symo 8.2-3-M	N/A	N/A	11/0.433	750 kVA	Type A	As per AS4777 and SAPN EG standard applicable at time of connection	Type 4	Export
770	7/01/2022	Metro South	SSD137	SM137E	1.70	0.00	1.70	1.70	Solar PV	34x 50 kVA SMA Australia Pty Ltd STP 50-40	N/A	N/A	11		Type C	As per AS4777 and SAPN EG standard applicable at time of connection	Type 2	Export
771	6/01/2022	Eastern Hills	SSD777	MTB12	0.05	0.00	0.05	0.05	Solar PV	1x 27 kVA Fronius Australia 27.0-3-S, 1x 2.5 kVA SMA Solar Technology AG SB2500, 1x 3.8 kVA SMA Solar Technology AG SB3800, 1x 20 kVA Fronius International GmbH 20.0-3-M	N/A	N/A	11/0.433	315 kVA	Type A	As per AS4777 and SAPN EG standard applicable at time of connection	Type 4	Export
772	1/01/2022	Metro West	SSD355	AP355E	0.09	0.00	0.09	0.02	Solar PV	1x 60 kVA JIANGSU GOODWE POWER SUPPLY TECHNOLOGY CO LTD GW60K-MT, 1x 30 kVA Shenzhen SOFARSOLAR Co Ltd SOFAR 30000TL-Sx Series	N/A	N/A	11/0.433	200 kVA	Type A	As per AS4777 and SAPN EG standard applicable at time of connection	Type 4	Export
773	23/12/2021	South East	SSD782	MG52	0.08	0.00	0.08	0.08	Solar PV	3x 27 kVA Fronius Australia ECO 27.0-3-S	N/A	N/A	11/0.433	500 kVA	Type A	As per AS4777 and SAPN EG standard applicable at time of connection	Type 4	Export
774	21/12/2021	Metro North	SSD744	SA744H	0.13	0.00	0.13	0.13	Solar PV + Storage	3x 27 kVA Fronius Australia ECO 27.0-3-S, 9x 5 kVA Tesla Motors Australia Pty Ltd AC Powerwall	N/A	N/A	11/0.433	300 kVA	Type A	As per AS4777 and SAPN EG standard applicable at time of connection	Type 4	Export
775	20/12/2021	Metro West	SSD227	AP227A	0.08	0.00	0.08	0.08	Solar PV	1x 10 kVA SMA Australia Pty Ltd STP10000TL, 2x 27 kVA Fronius Australia ECO 27.0-3-S	N/A	N/A	11/0.433	500 kVA	Type A	As per AS4777 and SAPN EG standard applicable at time of connection	Type 4	Export

No.	Connection Date	Region	Substations	Feeder ID	Inverter Installed Capacity (MVA)	Rotating Installed Capacity (MVA)	Total Installed Capacity (MVA)	Allowable Export (MW)	Generation Fuel	Generating Unit Make & Model	Fault Contributions		Transformer Info		Protection and communication systems	Voltage control and reactive power capability	Single Line Diagram of the Connection Arrangement	Export Details
											At Connection Point	Ph-Ground	Voltage (kV)	Rating				
776	20/12/2021	Eastern Hills	SSD777	MTB12	0.11	0.00	0.11	0.11	Solar PV + Storage	6x 5 kVA Tesla Motors Australia Pty Ltd AC Powerwall,1x 27 kVA Fronius Australia ECO 27.0-3-S,3x 17.5 kVA Fronius International GmbH Symo 17.5-3-M	N/A	N/A	11/0.433	300 kVA	Type A	As per AS4777 and SAPN EG standard applicable at time of connection	Type 4	Export
777	15/12/2021	Metro North	SSD273	EL17	0.07	0.00	0.07	0.02	Solar PV	2x 25 kVA Fronius Australia ECO 25.0-3-S,1x 20 kVA Fronius International GmbH Symo 20.0-3-M	N/A	N/A	11/0.433	500 kVA	Type A	As per AS4777 and SAPN EG standard applicable at time of connection	Type 4	Export
778	12/12/2021	Metro West	SSD355	AP355E	0.12	0.00	0.12	0.11	Solar PV + Storage	3x 5 kVA Tesla Motors Australia Pty Ltd AC Powerwall,4x 27 kVA Fronius Australia ECO 27.0-3-S	N/A	N/A	11/0.433	200 kVA	Type A	As per AS4777 and SAPN EG standard applicable at time of connection	Type 4	Export
779	12/12/2021	Metro South	SSD402	SM402C	0.06	0.00	0.06	0.06	Solar PV	2x 30 kVA SolarEdge Technologies Ltd SE30K	N/A	N/A	11/0.433	500 kVA	Type A	As per AS4777 and SAPN EG standard applicable at time of connection	Type 4	Export
780	12/12/2021	Eastern Hills	SSD250	ST11	0.08	0.00	0.08	0.08	Solar PV	1x 50 kVA SolarEdge Technologies Ltd SE50K,1x 30 kVA SolarEdge Technologies Ltd SE30K	N/A	N/A	11/0.433	63 kVA	Type A	As per AS4777 and SAPN EG standard applicable at time of connection	Type 4	Export
781	10/12/2021	Metro South	SSD210	NL210D	0.08	0.00	0.08	0.02	Solar PV + Storage	6x 5 kVA Tesla Motors Australia Pty Ltd AC Powerwall,1x 27 kVA Fronius Australia ECO 27.0-3-S,1x 20 kVA Fronius International GmbH Symo 20.0-3-M	N/A	N/A	11/0.433	1000 kVA	Type A	As per AS4777 and SAPN EG standard applicable at time of connection	Type 4	Export
782	9/12/2021	Metro East	SSD177	HH177B	0.08	0.00	0.08	0.08	Solar PV	3x 27 kVA Fronius Australia ECO 27.0-3-S	N/A	N/A	11/0.433	200 kVA	Type A	As per AS4777 and SAPN EG standard applicable at time of connection	Type 4	Export
783	9/12/2021	Metro East	SSD432	HH432A	0.11	0.00	0.11	0.11	Solar PV	1x 110 kVA Sungrow Power Supply Co Ltd SG110CX	N/A	N/A	11/0.433	500 kVA	Type A	As per AS4777 and SAPN EG standard applicable at time of connection	Type 4	Export
784	6/12/2021	Metro West	SSD355	AP355A	0.08	0.00	0.08	0.10	Solar PV	3x 27 kVA Fronius Australia ECO 27.0-3-S	N/A	N/A	11/0.433	750 kVA	Type A	As per AS4777 and SAPN EG standard applicable at time of connection	Type 4	Export
785	6/12/2021	Metro West	SSD355	AP355A	0.05	0.00	0.05	0.02	Solar PV	2x 27 kVA Fronius Australia ECO 27.0-3-S	N/A	N/A	11/0.433	315 kVA	Type A	As per AS4777 and SAPN EG standard applicable at time of connection	Type 4	Export
786	3/12/2021	South East	SSD195	MG41	0.06	0.00	0.06	0.02	Solar PV	2x 15 kVA SolarEdge Technologies Ltd SE15K,1x 30 kVA SolarEdge Technologies Ltd SE30K	N/A	N/A	11/0.433	200 kVA	Type A	As per AS4777 and SAPN EG standard applicable at time of connection	Type 4	Export
787	2/12/2021	Metro East	SSD341	HH341G	0.05	0.00	0.05	0.05	Solar PV	2x 27 kVA Fronius Australia ECO 27.0-3-S	N/A	N/A	11/0.433	1000 kVA	Type A	As per AS4777 and SAPN EG standard applicable at time of connection	Type 4	Export
788	29/11/2021	Metro West	SSD427	ME427F	0.05	0.00	0.05	0.05	Solar PV	3x 15 kVA Fronius International GmbH Symo 15.0-3-M	N/A	N/A	11/0.433	300 kVA	Type A	As per AS4777 and SAPN EG standard applicable at time of connection	Type 4	Export
789	23/11/2021	CBD	SSD353	CBD353R	0.08	0.00	0.08	0.02	Solar PV	3x 27 kVA Fronius Australia ECO 27.0-3-S	N/A	N/A	11/0.433	750 kVA	Type A	As per AS4777 and SAPN EG standard applicable at time of connection	Type 4	Export
790	22/11/2021	Metro East	SSD386	HH386A	0.11	0.00	0.11	0.11	Solar PV	1x 110 kVA Sungrow Power Supply Co Ltd SG110CX (AS4777-2 2020)	N/A	N/A	11/0.433	200 kVA	Type A	As per AS4777 and SAPN EG standard applicable at time of connection	Type 4	Export

No.	Connection Date	Region	Substations	Feeder ID	Inverter Installed Capacity (MVA)	Rotating Installed Capacity (MVA)	Total Installed Capacity (MVA)	Allowable Export (MW)	Generation Fuel	Generating Unit Make & Model	Fault Contributions		Transformer Info		Protection and communication systems	Voltage control and reactive power capability	Single Line Diagram of the Connection Arrangement	Export Details
											At Connection Point	Ph-Ground	Voltage (kV)	Rating				
791	19/11/2021	Barossa	SSD681	NU29	0.08	0.00	0.08	0.10	Solar PV	4x 20 kVA Fronius International GmbH Symo 20.0-3-M	N/A	N/A	11/0.433	500 kVA	Type A	As per AS4777 and SAPN EG standard applicable at time of connection	Type 4	Export
792	15/11/2021	Metro West	SSD132	AP132C	0.06	0.00	0.06	0.02	Solar PV	2x 20 kVA Fronius International GmbH Symo 20.0-3-M, 1x 15 kVA Fronius International GmbH Symo 15.0-3-M	N/A	N/A	11/0.433	200 kVA	Type A	As per AS4777 and SAPN EG standard applicable at time of connection	Type 4	Export
793	15/11/2021	Metro West	SSD132	AP132C	0.08	0.00	0.08	0.02	Solar PV	3x 27 kVA Fronius Australia ECO 27.0-3-S	N/A	N/A	11/0.433	200 kVA	Type A	As per AS4777 and SAPN EG standard applicable at time of connection	Type 4	Export
794	11/11/2021	Metro West	SSD510	AP510E	0.08	0.00	0.08	0.02	Solar PV	1x 50 kVA Sungrow Power Supply Co Ltd SG50CX, 1x 29.9 kVA Huawei Technologies Co Ltd SUN2000-29.9KTL	N/A	N/A	11/0.433	1500 kVA	Type A	As per AS4777 and SAPN EG standard applicable at time of connection	Type 4	Export
795	11/11/2021	Metro East	SSD496	HH496C	0.09	0.00	0.09	0.02	Solar PV	1x 27.6 kVA SolarEdge Technologies Ltd SE27.6K, 1x 30 kVA SolarEdge Technologies Ltd SE30K	N/A	N/A	11/0.433	500 kVA	Type A	As per AS4777 and SAPN EG standard applicable at time of connection	Type 4	Export
796	10/11/2021	Yorke Peninsula	SSD304	KA01	0.06	0.00	0.06	0.02	Solar PV	1x 20 kVA Fronius International GmbH Symo 20.0-3-M, 1x 15 kVA Fronius International GmbH Symo 15.0-3-M	N/A	N/A	11/0.433	200 kVA	Type A	As per AS4777 and SAPN EG standard applicable at time of connection	Type 4	Export
797	9/11/2021	Metro West	SSD520	SA520H	0.10	0.00	0.10	0.10	Solar PV	4x 25 kVA Fronius Australia ECO 25.0-3-S	N/A	N/A	11/0.433	200 kVA	Type A	As per AS4777 and SAPN EG standard applicable at time of connection	Type 4	Export
798	9/11/2021	Mid North	SSD191	CL23	0.06	0.00	0.06	0.02	Solar PV	4x 15 kVA Fronius International GmbH Symo 15.0-3-M	N/A	N/A	11/0.433	500 kVA	Type A	As per AS4777 and SAPN EG standard applicable at time of connection	Type 4	Export
799	9/11/2021	CBD	SSD367	CBD367B	0.08	0.00	0.08	0.08	Solar PV	1x 82.8 kVA SolarEdge Technologies Ltd SE82.8K	N/A	N/A	11/0.433	1000 kVA	Type A	As per AS4777 and SAPN EG standard applicable at time of connection	Type 4	Export
800	9/11/2021	Metro North	SSD407	SA19	0.07	0.00	0.07	0.02	Solar PV	1x 20 kVA Fronius International GmbH Symo 20.0-3-M, 1x 25 kVA Fronius Australia ECO 25.0-3-S, 1x 27 kVA Fronius Australia ECO 27.0-3-S	N/A	N/A	11/0.433	315 kVA	Type A	As per AS4777 and SAPN EG standard applicable at time of connection	Type 4	Export
801	2/11/2021	Metro East	SSD522	HH522A	0.08	0.00	0.08	0.08	Solar PV	1x 82.8 kVA SolarEdge Technologies Ltd SE82.8K	N/A	N/A	11/0.433	500 kVA	Type A	As per AS4777 and SAPN EG standard applicable at time of connection	Type 4	Export
802	29/10/2021	Metro West	SSD829	AP829K	0.06	0.00	0.06	0.06	Solar PV	2x 30 kVA Sungrow Power Supply Co Ltd SG30KTL	N/A	N/A	11/0.433	750 kVA	Type A	As per AS4777 and SAPN EG standard applicable at time of connection	Type 4	Export
803	29/10/2021	Metro East	SSD341	HH341G	0.08	0.00	0.08	0.08	Solar PV	1x 82.8 kVA SolarEdge Technologies Ltd SE82.8K	N/A	N/A	11/0.433	1000 kVA	Type A	As per AS4777 and SAPN EG standard applicable at time of connection	Type 4	Export
804	28/10/2021	Metro West	SSD520	SA520F	0.13	0.00	0.13	0.13	Solar PV	2x 50 kVA Sungrow Power Supply Co Ltd SG50CX, 1x 30 kVA Unknown Unknown	N/A	N/A	11/0.433	500 kVA	Type A	As per AS4777 and SAPN EG standard applicable at time of connection	Type 4	Export
805	28/10/2021	Metro South	SSD116	ME116A	0.07	0.00	0.07	0.02	Solar PV	1x 27 kVA Fronius Australia ECO 27.0-3-S, 1x 20 kVA Fronius International GmbH Symo 20.0-3-M, 1x 25 kVA Fronius Australia ECO 25.0-3-S	N/A	N/A	11/0.433	750 kVA	Type A	As per AS4777 and SAPN EG standard applicable at time of connection	Type 4	Export

No.	Connection Date	Region	Substations	Feeder ID	Inverter Installed Capacity (MVA)	Rotating Installed Capacity (MVA)	Total Installed Capacity (MVA)	Allowable Export (MW)	Generation Fuel	Generating Unit Make & Model	Fault Contributions		Transformer Info		Protection and communication systems	Voltage control and reactive power capability	Single Line Diagram of the Connection Arrangement	Export Details
											At Connection Point	Ph-Ground	Voltage (kV)	Rating				
806	26/10/2021	Metro East	SSD118	HH118C	0.08	0.00	0.08	0.08	Solar PV	3x 27 kVA Fronius Australia ECO 27.0-3-S	N/A	N/A	11/0.433	315 kVA	Type A	As per AS4777 and SAPN EG standard applicable at time of connection	Type 4	Export
807	25/10/2021	Metro East	SSD121	HH121B	0.03	0.00	0.03	0.02	Solar PV + Storage	2x 5 kVA Sputnik Engineering AG 5000P, 16x 0.24 kVA Enphase Energy New Zealand Limited IQ7-60-2-INT, 1x 8.5 kVA JIANGSU GOODWE POWER SUPPLY TECHNOLOGY CO LTD GW8500-MS (AS4777-2 2020), 1x 5 kVA Tesla Motors Australia Pty Ltd AC Powerwall	N/A	N/A	11/0.433	150 kVA	Type A	As per AS4777 and SAPN EG standard applicable at time of connection	Type 4	Export
808	22/10/2021	Yorke Peninsula	SSD354	YK17	0.03	0.00	0.03	0.02	Solar PV	1x 6 kVA (ABB) Power-One Italy S.p.A PVI-6000-OUTD-AU, 1x 16.5 kVA Ginlong Technologies Co Ltd Solis-3P15K-4G, 1x 4.6 kVA (ABB) Power-One Italy S.p.A PVI-5000-OUTD-AU	N/A	N/A	11/0.433	200 kVA	Type A	As per AS4777 and SAPN EG standard applicable at time of connection	Type 4	Export
809	21/10/2021	Mid North	SSD789	SD36400	0.08	0.00	0.08	0.10	Solar PV	4x 20 kVA SMA Australia Pty Ltd STP20000TL-30	N/A	N/A	33/0.433	1500 kVA	Type A	As per AS4777 and SAPN EG standard applicable at time of connection	Type 4	Export
810	19/10/2021	Murraylands	SSD466	M81	0.09	0.00	0.09	0.09	Solar PV	3x 29.9 kVA HUAWEI TECHNOLOGIES (AUSTRALIA) PTY LTD SUN2000-29.9KTL-M3	N/A	N/A	11/0.433	315 kVA	Type A	As per AS4777 and SAPN EG standard applicable at time of connection	Type 4	Export
811	13/10/2021	South East	SSD195	MG05	0.09	0.00	0.09	0.02	Solar PV	3x 25 kVA SolarEdge Technologies Ltd SE25K, 1x 15 kVA SolarEdge Technologies Ltd SE15K	N/A	N/A	11/0.433	200 kVA	Type A	As per AS4777 and SAPN EG standard applicable at time of connection	Type 4	Export
812	12/10/2021	Riverland	SSD420	BM56	4.44	0.00	4.44	4.40	Solar PV	24x 185 kVA (ABB) Power-One Italy S.P.A PVS-175-MVCS	N/A	N/A	11		Type C	As per AS4777 and SAPN EG standard applicable at time of connection	Type 2	Export
813	8/10/2021	Metro South	SSD137	SM137B	0.05	0.00	0.05	0.00	Solar PV	2x 27 kVA Fronius Australia ECO 27.0-3-S	N/A	N/A	11/0.433	315 kVA	Type A	As per AS4777 and SAPN EG standard applicable at time of connection	Type 4	Non Export
814	7/10/2021	Metro South	SSD111	NL111Q	0.05	0.00	0.05	0.02	Solar PV	2x 27 kVA Fronius Australia ECO 27.0-3-S	N/A	N/A	11/0.433	315 kVA	Type A	As per AS4777 and SAPN EG standard applicable at time of connection	Type 4	Export
815	30/09/2021	Metro South	SSD111	NL111D	0.05	0.00	0.05	0.02	Solar PV	1x 30 kVA Shenzhen SOFARSOLAR Co Ltd SOFAR 30000TL-G2, 1x 20 kVA Shenzhen SOFAR SOLAR Co Ltd SOFAR 20000TL-G2	N/A	N/A	11/0.433	315 kVA	Type A	As per AS4777 and SAPN EG standard applicable at time of connection	Type 4	Export
816	29/09/2021	Metro West	SSD427	ME427A	0.07	0.00	0.07	0.07	Solar PV	1x 20 kVA SMA Australia Pty Ltd STP20000TL-30, 1x 50 kVA SMA Australia Pty Ltd STP 50-40	N/A	N/A	11/0.433	1500 kVA	Type A	As per AS4777 and SAPN EG standard applicable at time of connection	Type 4	Export
817	29/09/2021	Metro South	SSD115	NL115A	0.05	0.00	0.05	0.05	Solar PV	1x 50 kVA SMA SOLAR TECHNOLOGY AG SMA SUNNY TRIPOWER CORE1 STP 50-40	N/A	N/A	11/0.433	2000 kVA	Type A	As per AS4777 and SAPN EG standard applicable at time of connection	Type 4	Export
818	15/09/2021	Metro South	SSD456	MV63	1.89	0.00	1.89	1.28	Solar PV + Storage	2x 75 kVA SMA SOLAR TECHNOLOGY AG SUNNY HIGHPOWER PEAK1, 1x 612.5 kVA Tesla Powerpack 612.5VA Tesla Powerpack 612.5VA, 5x 75 kVA SMA SOLAR TECHNOLOGY AG SUNNY HIGHPOWER PEAK1	N/A	N/A	11/0.433	1000 kVA	Type C	As per AS4777 and SAPN EG standard applicable at time of connection	Type 4	Export

No.	Connection Date	Region	Substations	Feeder ID	Inverter Installed Capacity (MVA)	Rotating Installed Capacity (MVA)	Total Installed Capacity (MVA)	Allowable Export (MW)	Generation Fuel	Generating Unit Make & Model	Fault Contributions		Transformer Info		Protection and communication systems	Voltage control and reactive power capability	Single Line Diagram of the Connection Arrangement	Export Details
											At Connection Point	Ph-Ground	Voltage (kV)	Rating				
819	15/09/2021	Metro South	SSD231	ME231D	0.08	0.00	0.08	0.02	Solar PV	1x 82.8 kVA SolarEdge Technologies Ltd SE82.8K	N/A	N/A	11/0.433	300 kVA	Type A	As per AS4777 and SAPN EG standard applicable at time of connection	Type 4	Export
820	12/09/2021	Metro West	SSD520	SA520G	0.08	0.00	0.08	0.02	Solar PV	1x 82.8 kVA SolarEdge Technologies Ltd SE82.8K	N/A	N/A	11/0.433	200 kVA	Type A	As per AS4777 and SAPN EG standard applicable at time of connection	Type 4	Export
821	10/09/2021	Metro South	SSD200	ME200E	0.04	0.00	0.04	0.02	Solar PV	2x 20 kVA Fronius International GmbH 20.0-3-M	N/A	N/A	11/0.433	315 kVA	Type A	As per AS4777 and SAPN EG standard applicable at time of connection	Type 4	Export
822	3/09/2021	Metro North	SSD184	EL19	0.19	0.00	0.19	0.05	Solar PV	3x 29.9 kVA Huawei Technologies Co Ltd SUN2000-29.9KTL-M3, 1x 100 kVA Huawei Technologies Co Ltd SUN2000-100KTL-M1	N/A	N/A	11/0.433	315 kVA	Type A	As per AS4777 and SAPN EG standard applicable at time of connection	Type 4	Export
823	3/09/2021	Eyre Peninsula	SSD217	WHY09	0.10	0.00	0.10	0.10	Solar PV	1x 100 kVA Huawei Technologies Co Ltd SUN2000-100KTL-M1	N/A	N/A	11/0.433	315 kVA	Type A	As per AS4777 and SAPN EG standard applicable at time of connection	Type 4	Export
824	2/09/2021	Riverland	SSD399	BM43	0.11	0.00	0.11	0.10	Solar PV	1x 110 kVA Sungrow Power Supply Co Ltd SG110CX	N/A	N/A	11/0.433	750 kVA	Type A	As per AS4777 and SAPN EG standard applicable at time of connection	Type 4	Export
825	31/08/2021	Metro South	SSD511	NL511A	0.05	0.00	0.05	0.05	Solar PV	1x 50 kVA SolarEdge Technologies Ltd SE50K	N/A	N/A	11/0.433	750 kVA	Type A	As per AS4777 and SAPN EG standard applicable at time of connection	Type 4	Export
826	26/08/2021	Metro North	SSD744	SA36	0.06	0.00	0.06	0.02	Solar PV	1x 15 kVA SMA Australia Pty Ltd STP 15000TL-10, 1x 30 kVA Delta Electronics Inc RPI M30A_xxx	N/A	N/A	11/0.433	50 kVA	Type A	As per AS4777 and SAPN EG standard applicable at time of connection	Type 4	Export
827	26/08/2021	Eastern Hills	SSD777	MTB11	0.07	0.00	0.07	0.15	Solar PV	2x 27.6 kVA (ABB) Power-One Italy S.p.A TRIO-27.6-TL-OUTD-400, 1x 17.5 kVA Fronius International GmbH Symo 17.5-3-M	N/A	N/A	11/0.433	200 kVA	Type A	As per AS4777 and SAPN EG standard applicable at time of connection	Type 4	Export
828	25/08/2021	Metro South	SSD131	ME131C	0.05	0.00	0.05	0.05	Solar PV	1x 50 kVA Jiangsu GoodWe Power Supply Technology Co Ltd GW50KN-MT	N/A	N/A	11/0.433	315 kVA	Type A	As per AS4777 and SAPN EG standard applicable at time of connection	Type 4	Export
829	24/08/2021	Metro East	SSD432	HH432A	0.11	0.00	0.11	0.11	Solar PV	1x 110 kVA Sungrow Power Supply Co Ltd SG110CX (AS4777-2 2020)	N/A	N/A	11/0.433	300 kVA	Type A	As per AS4777 and SAPN EG standard applicable at time of connection	Type 4	Export
830	18/08/2021	Metro East	SSD341	HH341A	0.05	0.00	0.05	0.05	Solar PV	1x 50 kVA SolarEdge Technologies Ltd SE50K	N/A	N/A	11/0.433	300 kVA	Type A	As per AS4777 and SAPN EG standard applicable at time of connection	Type 4	Export
831	18/08/2021	Metro East	SSD341	HH341A	0.08	0.00	0.08	0.08	Solar PV	1x 82.8 kVA SolarEdge Technologies Ltd SE82.8K	N/A	N/A	11/0.433	300 kVA	Type A	As per AS4777 and SAPN EG standard applicable at time of connection	Type 4	Export
832	16/08/2021	Mid North	SSD191	CL04	0.33	0.00	0.33	0.08	Solar PV	2x 82.8 kVA SolarEdge Technologies Ltd SE82.8K	N/A	N/A	11/0.433	315 kVA	Type B	As per AS4777 and SAPN EG standard applicable at time of connection	Type 4	Export
833	16/08/2021	Metro North	SSD183	EL01Q	0.03	0.00	0.03	0.02	Solar PV + Storage	1x 27 kVA Fronius Australia 27.0-3-S, 1x 5 kVA Jiangsu GoodWe Power Supply Technology Co Ltd GW5000S-BP	N/A	N/A	11/0.433	200 kVA	Type A	As per AS4777 and SAPN EG standard applicable at time of connection	Type 4	Export

No.	Connection Date	Region	Substations	Feeder ID	Inverter Installed Capacity (MVA)	Rotating Installed Capacity (MVA)	Total Installed Capacity (MVA)	Allowable Export (MW)	Generation Fuel	Generating Unit Make & Model	Fault Contributions		Transformer Info		Protection and communication systems	Voltage control and reactive power capability	Single Line Diagram of the Connection Arrangement	Export Details
											At Connection Point	Ph-Ground	Voltage (kV)	Rating				
834	11/08/2021	Metro South	SSD411	SM411A	0.08	0.00	0.08	0.08	Solar PV	1x 82.8 kVA SolarEdge Technologies Ltd SE82.8K	N/A	N/A	11		Type A	As per AS4777 and SAPN EG standard applicable at time of connection	Type 2	Export
835	10/08/2021	Murraylands	SSD151	MB12	0.17	0.00	0.17	0.06	Solar PV	1x 17 kVA SolarEdge Technologies Ltd SE17K,3x 50 kVA SolarEdge Technologies Ltd SE50K	N/A	N/A	11/0.433	750 kVA	Type A	As per AS4777 and SAPN EG standard applicable at time of connection	Type 4	Export
836	5/08/2021	Fleurieu Peninsula	SSD340	VH23	0.05	0.00	0.05	0.02	Solar PV	1x 10 kVA SMA Solar Technology AG STP 10000TL-10,1x 25 kVA SMA Solar Technology AG STP 25000TL-30	N/A	N/A	11/0.433	63 kVA	Type A	As per AS4777 and SAPN EG standard applicable at time of connection	Type 4	Export
837	6/07/2021	Metro East	SSD177	HH177B	0.05	0.00	0.05	0.05	Solar PV	1x 50 kVA JIANGSU GOODWE POWER SUPPLY TECHNOLOGY CO LTD GW50K-MT	N/A	N/A	11/0.433	315 kVA	Type A	As per AS4777 and SAPN EG standard applicable at time of connection	Type 4	Export
838	30/06/2021	Metro North	SSD273	EL15	0.08	0.00	0.08	0.08	Solar PV	1x 50 kVA Sungrow Power Supply Co Ltd SG50CX,3x 10 kVA (ABB) Power-One Italy S.p.A PVI-10.0-OUTD-AU	N/A	N/A	11/0.433	315 kVA	Type A	As per AS4777 and SAPN EG standard applicable at time of connection	Type 4	Export
839	30/06/2021	Metro North	SSD744	SA744G	0.08	0.00	0.08	0.08	Solar PV	3x 27 kVA Fronius Australia ECO 27.0-3-S	N/A	N/A	11/0.433	750 kVA	Type A	As per AS4777 and SAPN EG standard applicable at time of connection	Type 4	Export
840	28/06/2021	Metro North	SSD104	EL13	0.08	0.00	0.08	0.08	Solar PV	2x 27.6 kVA SolarEdge Technologies Ltd SE27.6K,1x 27.6 kVA (ABB) Power-One Italy S.p.A TRIO-27.6-TL-OUTD-400	N/A	N/A	11/0.433	315 kVA	Type A	As per AS4777 and SAPN EG standard applicable at time of connection	Type 4	Export
841	21/06/2021	Fleurieu Peninsula	SSD450	KI31	0.05	0.00	0.05	0.05	Solar PV	1x 20 kVA Ginlong Technologies Co Ltd Solis-20K,1x 30 kVA Ginlong Technologies Co Ltd Solis-30K	N/A	N/A	11/0.433	200 kVA	Type A	As per AS4777 and SAPN EG standard applicable at time of connection	Type 4	Export
842	21/06/2021	Metro East	SSD107	HH107A	0.05	0.00	0.05	0.05	Solar PV	1x 50 kVA SolarEdge Technologies Ltd SE50K	N/A	N/A	11/0.433	150 kVA	Type A	As per AS4777 and SAPN EG standard applicable at time of connection	Type 4	Export
843	15/06/2021	Fleurieu Peninsula	SSD368	VH15	0.05	0.00	0.05	0.05	Solar PV	2x 25 kVA Fronius Australia ECO 25.0-3-S	N/A	N/A	11/0.433	150 kVA	Type A	As per AS4777 and SAPN EG standard applicable at time of connection	Type 4	Export
844	15/06/2021	Eastern Hills	SSD247	MTB62	0.08	0.00	0.08	0.08	Solar PV	1x 82.8 kVA SolarEdge Technologies Ltd SE82.8K	N/A	N/A	11/0.433	300 kVA	Type A	As per AS4777 and SAPN EG standard applicable at time of connection	Type 4	Export
845	15/06/2021	Eastern Hills	SSD248	ST35	0.05	0.00	0.05	0.05	Solar PV	2x 25 kVA SolarEdge Technologies Ltd SE25K	N/A	N/A	11/0.433	300 kVA	Type A	As per AS4777 and SAPN EG standard applicable at time of connection	Type 4	Export
846	8/06/2021	Metro North	SSD407	SA19	0.08	0.00	0.08	0.08	Solar PV	1x 25 kVA SMA Australia Pty Ltd STP25000TL-30,1x 50 kVA SMA Australia Pty Ltd STP 50-40	N/A	N/A	11/0.433	750 kVA	Type A	As per AS4777 and SAPN EG standard applicable at time of connection	Type 4	Export
847	8/06/2021	Metro North	SSD407	SA19	0.08	0.00	0.08	0.08	Solar PV	1x 25 kVA SMA Australia Pty Ltd STP25000TL-30,1x 50 kVA SMA Australia Pty Ltd STP 50-40	N/A	N/A	11/0.433	750 kVA	Type A	As per AS4777 and SAPN EG standard applicable at time of connection	Type 4	Export
848	7/06/2021	Metro North	SSD744	SA36	0.09	0.00	0.09	0.09	Solar PV	2x 30 kVA SolarEdge Technologies Ltd SE30K,1x 30 kVA SolarEdge Technologies Ltd SE30K	N/A	N/A	11/0.433	150 kVA	Type A	As per AS4777 and SAPN EG standard applicable at time of connection	Type 4	Export

No.	Connection Date	Region	Substations	Feeder ID	Inverter Installed Capacity (MVA)	Rotating Installed Capacity (MVA)	Total Installed Capacity (MVA)	Allowable Export (MW)	Generation Fuel	Generating Unit Make & Model	Fault Contributions		Transformer Info		Protection and communication systems	Voltage control and reactive power capability	Single Line Diagram of the Connection Arrangement	Export Details
											At Connection Point	Ph-Ground	Voltage (kV)	Rating				
849	7/06/2021	Mid North	SSD745	GA745B	0.08	0.00	0.08	0.08	Solar PV	3x 27 kVA Fronius Australia ECO 27.0-3-S	N/A	N/A	11/0.433	500 kVA	Type A	As per AS4777 and SAPN EG standard applicable at time of connection	Type 4	Export
850	31/05/2021	Metro East	SSD496	HH496E	0.05	0.00	0.05	0.05	Solar PV	2x 12.5 kVA Fronius International GmbH Symo 12.5-3-M, 1x 25 kVA Fronius Australia ECO 25.0-3-S	N/A	N/A	11/0.433	500 kVA	Type A	As per AS4777 and SAPN EG standard applicable at time of connection	Type 4	Export
851	31/05/2021	Fleurieu Peninsula	SSD340	VH22	0.08	0.00	0.08	0.08	Solar PV	4x 20 kVA SMA Australia Pty Ltd STP20000TL-30	N/A	N/A	11/0.433	500 kVA	Type A	As per AS4777 and SAPN EG standard applicable at time of connection	Type 4	Export
852	28/05/2021	Murraylands	SSD301	MB92	0.19	0.00	0.19	0.19	Solar PV	1x 4.5 kVA Fronius International GmbH 4.5-3-M, 3x 27 kVA Fronius Australia ECO 27.0-3-S, 4x 27 kVA Fronius Australia ECO 27.0-3-S	N/A	N/A	11/0.433	315 kVA	Type A	As per AS4777 and SAPN EG standard applicable at time of connection	Type 4	Export
853	24/05/2021	Metro East	SSD341	HH341D	0.10	0.00	0.10	0.10	Solar PV	4x 25 kVA SMA Australia Pty Ltd STP25000TL-30	N/A	N/A	11/0.433	300 kVA	Type A	As per AS4777 and SAPN EG standard applicable at time of connection	Type 4	Export
854	24/05/2021	Eyre Peninsula	SSD336	SB01	3.00	0.00	3.00	2.40	Solar PV	1x 3000 kVA SMA Solar Technology AG SC-3000-EV-10	N/A	N/A	11		Type C	As per AS4777 and SAPN EG standard applicable at time of connection	Type 2	Export
855	20/05/2021	South East	SSD195	MG41	0.08	0.00	0.08	0.08	Solar PV	4x 20 kVA Fronius International GmbH Symo 20.0-3-M	N/A	N/A	11/0.433	200 kVA	Type A	As per AS4777 and SAPN EG standard applicable at time of connection	Type 4	Export
856	20/05/2021	Eastern Hills	SSD178	GU42	0.08	0.00	0.08	0.08	Solar PV	4x 20 kVA Fronius International GmbH Symo 20.0-3-M	N/A	N/A	11/0.433	300 kVA	Type A	As per AS4777 and SAPN EG standard applicable at time of connection	Type 4	Export
857	19/05/2021	Metro West	SSD139	AP139C	0.06	0.00	0.06	0.06	Solar PV	2x 15 kVA Fronius International GmbH Symo 15.0-3-M, 1x 27 kVA Fronius Australia ECO 27.0-3-S	N/A	N/A	11/0.433	500 kVA	Type A	As per AS4777 and SAPN EG standard applicable at time of connection	Type 4	Export
858	19/05/2021	Metro West	SSD139	AP139C	0.06	0.00	0.06	0.06	Solar PV	1x 10 kVA Fronius International GmbH Symo 10.0-3-M, 2x 27 kVA Fronius Australia ECO 27.0-3-S	N/A	N/A	11/0.433	500 kVA	Type A	As per AS4777 and SAPN EG standard applicable at time of connection	Type 4	Export
859	19/05/2021	Metro South	SSD115	NL115B	0.35	0.00	0.35	0.53	Solar PV	7x 50 kVA SMA Solar Technology Ag SMA Sunny Tripower CORE1 STP 50-40	N/A	N/A	11/0.433	1500 kVA	Type C	As per AS4777 and SAPN EG standard applicable at time of connection	Type 4	Export
860	7/05/2021	Metro South	SSD131	ME131C	0.06	0.00	0.06	0.06	Solar PV	2x 27.6 kVA SolarEdge Technologies Ltd SE27.6K	N/A	N/A	11/0.433	500 kVA	Type A	As per AS4777 and SAPN EG standard applicable at time of connection	Type 4	Export
861	1/05/2021	Riverland	SSD420	BM53	0.12	0.00	0.12	0.12	Solar PV + Storage	3x 5 kVA SolarEdge Technologies Ltd SE5000-AUS, 2x 50 kVA (ABB) Power-One Italy S.p.A TRIO-50.0-TL-OUTD	N/A	N/A	11/0.433	500 kVA	Type A	As per AS4777 and SAPN EG standard applicable at time of connection	Type 4	Export
862	30/04/2021	Metro North	SSD184	EL20	0.54	0.00	0.54	0.36	OTHER IES	3x 180 kVA Vacon NXA_0261 5 A0T2SF	N/A	N/A	11/0.433	500 kVA	Type C	As per AS4777 and SAPN EG standard applicable at time of connection	Type 4	Export
863	27/04/2021	Metro West	SSD520	SA520H	0.08	0.00	0.08	0.08	Solar PV	3x 27 kVA Fronius Australia ECO 27.0-3-S	N/A	N/A	11/0.433	500 kVA	Type A	As per AS4777 and SAPN EG standard applicable at time of connection	Type 4	Export

No.	Connection Date	Region	Substations	Feeder ID	Inverter Installed Capacity (MVA)	Rotating Installed Capacity (MVA)	Total Installed Capacity (MVA)	Allowable Export (MW)	Generation Fuel	Generating Unit Make & Model	Fault Contributions		Transformer Info		Protection and communication systems	Voltage control and reactive power capability	Single Line Diagram of the Connection Arrangement	Export Details
											At Connection Point	Ph-Ground	Voltage (kV)	Rating				
864	27/04/2021	Metro North	SSD273	EL28	0.11	0.00	0.11	0.08	Solar PV	3x 27 kVA Fronius Australia ECO 27.0-3-S, 1x 30 kVA Ginlong Technologies Co Ltd Solis-30K	N/A	N/A	11/0.433	315 kVA	Type A	As per AS4777 and SAPN EG standard applicable at time of connection	Type 4	Export
865	27/04/2021	Metro South	SSD410	SM410D	0.07	0.00	0.07	0.07	Solar PV	2x 12.5 kVA Fronius International GmbH Symo 12.5-3-M, 1x 25 kVA Fronius Australia ECO 25.0-3-S, 1x 15 kVA Fronius International GmbH Symo 15.0-3-M	N/A	N/A	11/0.433	750 kVA	Type A	As per AS4777 and SAPN EG standard applicable at time of connection	Type 4	Export
866	27/04/2021	Metro South	SSD200	ME200D	0.11	0.00	0.11	0.11	Solar PV	2x 55 kVA Huawei Technologies Co Ltd SUN2000-50KTL-M0	N/A	N/A	11/0.433	750 kVA	Type A	As per AS4777 and SAPN EG standard applicable at time of connection	Type 4	Export
867	27/04/2021	Eastern Hills	SSD473	SG14	0.10	0.00	0.10	0.00	Solar PV	1x 100 kVA Huawei Technologies Co Ltd SUN2000-100KTL-M1	N/A	N/A	11/0.433	315 kVA	Type A	As per AS4777 and SAPN EG standard applicable at time of connection	Type 4	Non Export
868	13/04/2021	Metro East	SSD341	HH341F	0.07	0.00	0.07	0.07	Solar PV	1x 17 kVA SolarEdge Technologies Ltd SE17K, 2x 27.6 kVA SolarEdge Technologies Ltd SE27.6K	N/A	N/A	11/0.433	1000 kVA	Type A	As per AS4777 and SAPN EG standard applicable at time of connection	Type 4	Export
869	9/04/2021	CBD	SSD412	CBD412G	0.06	0.00	0.06	0.06	Solar PV	3x 20 kVA Huawei Technologies Co Ltd SUN2000-20KTL-M2	N/A	N/A	11/0.433	1500 kVA	Type A	As per AS4777 and SAPN EG standard applicable at time of connection	Type 4	Export
870	8/04/2021	Metro West	SSD344	AP344E	0.07	0.00	0.07	0.07	Solar PV	1x 15 kVA Fronius International GmbH Symo 15.0-3-M, 2x 10 kVA Fronius International GmbH Symo 10.0-3-M, 1x 20 kVA Fronius International GmbH Symo 20.0-3-M, 1x 10 kVA Fronius International GmbH Symo 10.0-3-M	N/A	N/A	11/0.433	1000 kVA	Type A	As per AS4777 and SAPN EG standard applicable at time of connection	Type 4	Export
871	8/04/2021	Metro West	SSD829	AP829G	0.28	0.00	0.28	0.20	Solar PV	4x 50 kVA SolarEdge Technologies Ltd SE50K, 1x 82.8 kVA SolarEdge Technologies Ltd SE82.8K	N/A	N/A	11/0.433	750 kVA	Type B	As per AS4777 and SAPN EG standard applicable at time of connection	Type 4	Export
872	8/04/2021	Barossa	SSD150	NU14	0.19	0.00	0.19	0.05	Solar PV + Storage	1x 15 kVA Samil Power Co Ltd SolarLake 15000TL, 1x 90 kVA ABB Australia PCS100+MGC600, 1x 17 kVA Samil Power Co Ltd SolarLake 17000TL, 1x 15 kVA Fronius International GmbH Symo 15.0-3-M, 1x 50 kVA SMA SOLAR TECHNOLOGY AG SMA SUNNY TRIPOWER CORE1 STP 50-40	N/A	N/A	11/0.433	200 kVA	Type A	As per AS4777 and SAPN EG standard applicable at time of connection	Type 4	Export
873	7/04/2021	Metro East	SSD522	HH522A	0.20	0.00	0.20	0.20	Solar PV	4x 50 kVA SolarEdge Technologies Ltd SE50K	N/A	N/A	11/0.433	500 kVA	Type C	As per AS4777 and SAPN EG standard applicable at time of connection	Type 4	Export
874	30/03/2021	Metro South	SSD456	MV62	0.06	0.00	0.06	0.06	Solar PV	2x 20 kVA Fronius International GmbH Symo 20.0-3-M, 1x 15 kVA Fronius International GmbH Symo 15.0-3-M	N/A	N/A	11/0.433	150 kVA	Type A	As per AS4777 and SAPN EG standard applicable at time of connection	Type 4	Export
875	30/03/2021	Metro South	SSD456	MV63	0.10	0.00	0.10	0.10	Solar PV	1x 27 kVA Fronius Australia ECO 27.0-3-S, 2x 25 kVA Fronius Australia ECO 25.0-3-S, 1x 20 kVA Fronius International GmbH Symo 20.0-3-M	N/A	N/A	11/0.433	500 kVA	Type A	As per AS4777 and SAPN EG standard applicable at time of connection	Type 4	Export
876	22/03/2021	Murraylands	SSD268	MB31	0.06	0.00	0.06	0.06	Solar PV	1x 27 kVA Fronius Australia ECO 27.0-3-S, 1x 29.9 kVA Sungrow Power Supply Co Ltd SG30CX	N/A	N/A	11/0.433	150 kVA	Type A	As per AS4777 and SAPN EG standard applicable at time of connection	Type 4	Export

No.	Connection Date	Region	Substations	Feeder ID	Inverter Installed Capacity (MVA)	Rotating Installed Capacity (MVA)	Total Installed Capacity (MVA)	Allowable Export (MW)	Generation Fuel	Generating Unit Make & Model	Fault Contributions		Transformer Info		Protection and communication systems	Voltage control and reactive power capability	Single Line Diagram of the Connection Arrangement	Export Details
											At Connection Point	Ph-Ground	Voltage (kV)	Rating				
877	22/03/2021	Mid North	SSD771	NU19	0.08	0.00	0.08	0.08	Solar PV	4x 20 kVA Fronius International GmbH Symo 20.0-3-M	N/A	N/A	11/0.433	500 kVA	Type A	As per AS4777 and SAPN EG standard applicable at time of connection	Type 4	Export
878	17/03/2021	Metro West	SSD365	AP365A	0.08	0.00	0.08	0.08	Solar PV	1x 27 kVA Fronius Australia ECO 27.0-3-S	N/A	N/A	11/0.433	300 kVA	Type A	As per AS4777 and SAPN EG standard applicable at time of connection	Type 4	Export
879	17/03/2021	Metro West	SSD139	AP139D	0.08	0.00	0.08	0.08	Solar PV	3x 27 kVA Fronius Australia ECO 27.0-3-S	N/A	N/A	11/0.433	750 kVA	Type A	As per AS4777 and SAPN EG standard applicable at time of connection	Type 4	Export
880	2/03/2021	Eyre Peninsula	SSD325	PL03	0.10	0.00	0.10	0.10	Solar PV	1x 100 kVA Huawei Technologies Co Ltd SUN2000-100kTL-M1	N/A	N/A	11/0.433	315 kVA	Type A	As per AS4777 and SAPN EG standard applicable at time of connection	Type 4	Export
881	2/03/2021	Metro West	SSD425	AP425B	0.10	0.00	0.10	0.08	Solar PV	1x 100 kVA Huawei Technologies Co Ltd SUN2000-100kTL-M1	N/A	N/A	11/0.433	315 kVA	Type A	As per AS4777 and SAPN EG standard applicable at time of connection	Type 4	Export
882	25/02/2021	Metro West	SSD520	SA520G	0.83	0.00	0.83	0.20	Solar PV	15x 55 kVA Huawei Technologies Co Ltd SUN2000-50kTL-M0	N/A	N/A	11/0.433	2000 kVA	Type B	As per AS4777 and SAPN EG standard applicable at time of connection	Type 4	Export
883	23/02/2021	Metro West	SSD214	AP214C	0.18	0.00	0.18	0.18	Solar PV	4x 20 kVA Schneider Electric (Australia) Pty Ltd Conext TL 20000E, 5x 20 kVA Fronius International GmbH Symo 20.0-3-M	N/A	N/A	11/0.433	1500 kVA	Type A	As per AS4777 and SAPN EG standard applicable at time of connection	Type 4	Export
884	23/02/2021	Metro West	SSD424	AP424F	0.08	0.00	0.08	0.08	Solar PV	3x 25 kVA SMA Australia Pty Ltd STP25000TL-30	N/A	N/A	11/0.433	300 kVA	Type A	As per AS4777 and SAPN EG standard applicable at time of connection	Type 4	Export
885	22/02/2021	Metro South	SSD402	SM402D	0.08	0.00	0.08	0.08	Solar PV	3x 27 kVA Fronius Australia ECO 27.0-3-S	N/A	N/A	11/0.433	300 kVA	Type A	As per AS4777 and SAPN EG standard applicable at time of connection	Type 4	Export
886	22/02/2021	Metro North	SSD104	EL13	0.08	0.00	0.08	0.08	Solar PV	3x 27 kVA Fronius Australia ECO 27.0-3-S	N/A	N/A	11/0.433	315 kVA	Type A	As per AS4777 and SAPN EG standard applicable at time of connection	Type 4	Export
887	15/02/2021	Metro West	SSD355	AP355E	0.06	0.00	0.06	0.06	Solar PV	2x 30 kVA Ginlong Technologies Co Ltd Solis-30K	N/A	N/A	11/0.433	200 kVA	Type A	As per AS4777 and SAPN EG standard applicable at time of connection	Type 4	Export
888	15/02/2021	Metro West	SSD125	AP125B	0.10	0.00	0.10	0.10	Solar PV	2x 50 kVA SMA Australia Pty Ltd STP 50-40	N/A	N/A	11/0.433	750 kVA	Type A	As per AS4777 and SAPN EG standard applicable at time of connection	Type 4	Export
889	15/02/2021	Metro West	SSD829	AP829B	0.05	0.00	0.05	0.05	Solar PV	1x 27 kVA Fronius Australia ECO 27.0-3-S, 1x 25 kVA Fronius Australia ECO 25.0-3-S	N/A	N/A	11/0.433	200 kVA	Type A	As per AS4777 and SAPN EG standard applicable at time of connection	Type 4	Export
890	15/02/2021	Murraylands	SSD389	MB23	0.09	0.00	0.09	0.09	Solar PV	2x 25 kVA Fronius Australia ECO 25.0-3-S, 1x 27 kVA Fronius Australia ECO 27.0-3-S, 1x 15 kVA Fronius International GmbH Symo 15.0-3-M	N/A	N/A	11/0.433	1500 kVA	Type A	As per AS4777 and SAPN EG standard applicable at time of connection	Type 4	Export
891	15/02/2021	South East	SSD831	MG44	0.08	0.00	0.08	0.08	Solar PV	1x 82.8 kVA SolarEdge Technologies Ltd SE82.8K	N/A	N/A	11/0.433	1500 kVA	Type A	As per AS4777 and SAPN EG standard applicable at time of connection	Type 4	Export

No.	Connection Date	Region	Substations	Feeder ID	Inverter Installed Capacity (MVA)	Rotating Installed Capacity (MVA)	Total Installed Capacity (MVA)	Allowable Export (MW)	Generation Fuel	Generating Unit Make & Model	Fault Contributions		Transformer Info		Protection and communication systems	Voltage control and reactive power capability	Single Line Diagram of the Connection Arrangement	Export Details
											At Connection Point	Ph-Ground	Voltage (kV)	Rating				
892	15/02/2021	Metro West	SSD829	AP829G	0.08	0.00	0.08	0.08	Solar PV	1x 82.8 kVA SolarEdge Technologies Ltd SE82.8K	N/A	N/A	11/0.433	500 kVA	Type A	As per AS4777 and SAPN EG standard applicable at time of connection	Type 4	Export
893	15/02/2021	Metro East	SSD121	HH121B	0.10	0.00	0.10	0.10	Solar PV	2x 50 kVA SMA Solar Technology Ag SMA Sunny Tripower CORE1 STP 50-40	N/A	N/A	11/0.433	750 kVA	Type A	As per AS4777 and SAPN EG standard applicable at time of connection	Type 4	Export
894	8/02/2021	Metro West	SSD132	AP132B	0.05	0.00	0.05	0.05	Solar PV	2x 27 kVA Fronius Australia ECO 27.0-3-S	N/A	N/A	11/0.433	300 kVA	Type A	As per AS4777 and SAPN EG standard applicable at time of connection	Type 4	Export
895	8/02/2021	CBD	SSD366	CBD366S	0.08	0.00	0.08	0.02	Solar PV	2x 15 kVA SMA Australia Pty Ltd STP 15000TL-10, 2x 25 kVA SMA Australia Pty Ltd STP25000TL-30	N/A	N/A	11/0.433	500 kVA	Type A	As per AS4777 and SAPN EG standard applicable at time of connection	Type 4	Export
896	8/02/2021	Metro North	SSD183	EL01P	0.06	0.00	0.06	0.06	Solar PV	1x 12.5 kVA Fronius International GmbH Symo 12.5-3-M, 1x 27 kVA Fronius Australia ECO 27.0-3-S, 1x 17.5 kVA Fronius International GmbH Symo 17.5-3-M	N/A	N/A	11/0.433	750 kVA	Type A	As per AS4777 and SAPN EG standard applicable at time of connection	Type 4	Export
897	8/02/2021	Metro South	SSD131	ME131D	0.08	0.00	0.08	0.08	Solar PV	1x 50 kVA SMA Australia Pty Ltd STP 50-40, 1x 25 kVA SMA Australia Pty Ltd STP25000TL-30	N/A	N/A	11/0.433	750 kVA	Type A	As per AS4777 and SAPN EG standard applicable at time of connection	Type 4	Export
898	1/02/2021	Riverland	SSD715	WK61	0.06	0.00	0.06	0.06	Solar PV	1x 60 kVA Jiangsu GoodWe Power Supply Technology Co Ltd GW60KN-MT	N/A	N/A	11/0.433	200 kVA	Type A	As per AS4777 and SAPN EG standard applicable at time of connection	Type 4	Export
899	1/02/2021	Metro East	SSD432	HH432D	0.08	0.00	0.08	0.08	Solar PV	3x 27 kVA Fronius Australia ECO 27.0-3-S	N/A	N/A	11/0.433	300 kVA	Type A	As per AS4777 and SAPN EG standard applicable at time of connection	Type 4	Export
900	1/02/2021	Metro North	SSD129	SA34	0.08	0.00	0.08	0.08	Solar PV	2x 15 kVA Schneider Electric (Australia) Pty Ltd Conext TL 15000E, 1x 50 kVA SolarEdge Technologies Ltd SE50K	N/A	N/A	11/0.433	500 kVA	Type A	As per AS4777 and SAPN EG standard applicable at time of connection	Type 4	Export
901	1/02/2021	South East	SSD158	NA09	0.08	0.00	0.08	0.08	Solar PV	3x 27 kVA Fronius Australia ECO 27.0-3-S	N/A	N/A	11/0.433	315 kVA	Type A	As per AS4777 and SAPN EG standard applicable at time of connection	Type 4	Export
902	1/02/2021	CBD	SSD366	CBD366M	0.10	0.00	0.10	0.10	Solar PV	2x 50 kVA SMA Solar Technology Ag SMA Sunny Tripower CORE1 STP 50-40	N/A	N/A	11/0.433	500 kVA	Type A	As per AS4777 and SAPN EG standard applicable at time of connection	Type 4	Export
903	25/01/2021	Eastern Hills	SSD777	MTB11	0.20	0.00	0.20	0.18	Solar PV	4x 17 kVA SMA Australia Pty Ltd STP 17000TL-10, 2x 50 kVA SolarEdge Technologies Ltd SE50K, 1x 15 kVA SMA Australia Pty Ltd STP 15000TL-10, 1x 12 kVA SMA Australia Pty Ltd STP 12000TL-10	N/A	N/A	11/0.433	750 kVA	Type A	As per AS4777 and SAPN EG standard applicable at time of connection	Type 4	Export
904	19/01/2021	Metro West	SSD132	AP132E	0.08	0.00	0.08	0.08	Solar PV	3x 27 kVA Fronius Australia ECO 27.0-3-S	N/A	N/A	11/0.433	1500 kVA	Type A	As per AS4777 and SAPN EG standard applicable at time of connection	Type 4	Export
905	18/01/2021	Upper North	SSD187	PA02	0.07	0.00	0.07	0.07	Solar PV	1x 50 kVA SMA Australia Pty Ltd STP 50-40, 4x 6 kVA SolarEdge Technologies Ltd SE6000-AUS	N/A	N/A	11/0.433	150 kVA	Type A	As per AS4777 and SAPN EG standard applicable at time of connection	Type 4	Export

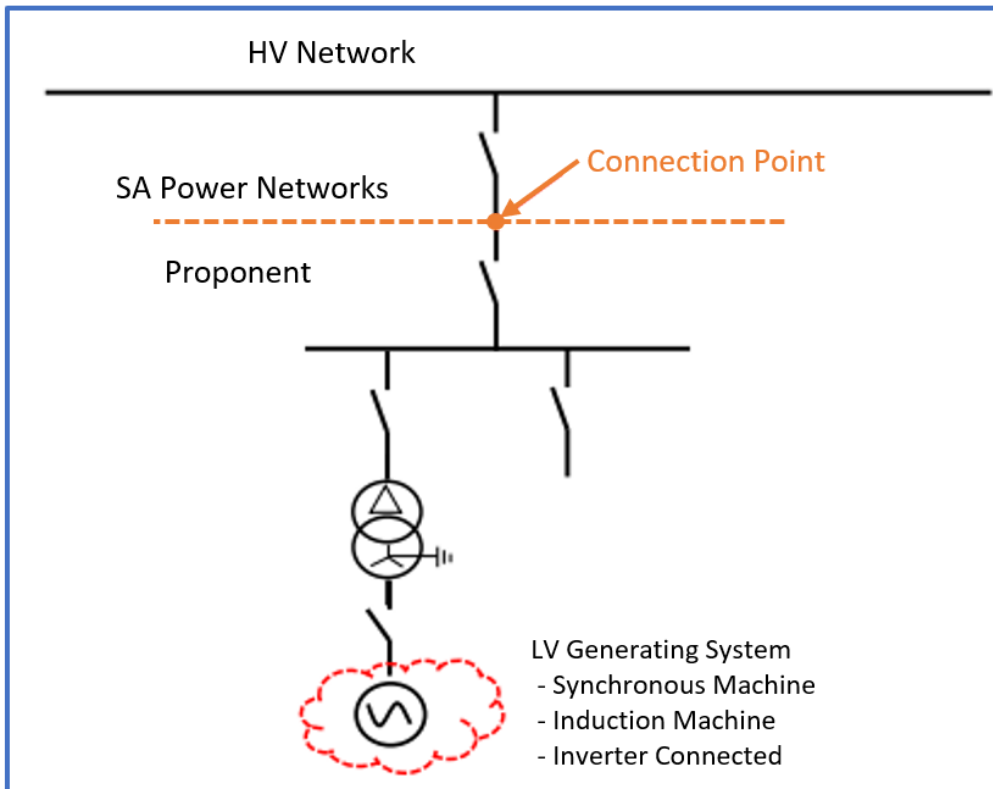
No.	Connection Date	Region	Substations	Feeder ID	Inverter Installed Capacity (MVA)	Rotating Installed Capacity (MVA)	Total Installed Capacity (MVA)	Allowable Export (MW)	Generation Fuel	Generating Unit Make & Model	Fault Contributions		Transformer Info		Protection and communication systems	Voltage control and reactive power capability	Single Line Diagram of the Connection Arrangement	Export Details
											At Connection Point	Ph-Ground	Voltage (kV)	Rating				
906	18/01/2021	Metro West	SSD520	SA520B	0.08	0.00	0.08	0.08	Solar PV	1x 82.8 kVA SolarEdge Technologies Ltd SE82.8K	N/A	N/A	11/0.433	500 kVA	Type A	As per AS4777 and SAPN EG standard applicable at time of connection	Type 4	Export
907	11/01/2021	Eastern Hills	SSD237	MTB22	0.05	0.00	0.05	0.05	Solar PV	2x 27 kVA Fronius Australia ECO 27.0-3-S	N/A	N/A	11/0.433	315 kVA	Type A	As per AS4777 and SAPN EG standard applicable at time of connection	Type 4	Export
908	11/01/2021	South East	SSD198	MI01	0.05	0.00	0.05	0.05	Solar PV	2x 25 kVA Jiangsu GoodWe Power Supply Technology Co Ltd GW25K-MT	N/A	N/A	11/0.433	500 kVA	Type A	As per AS4777 and SAPN EG standard applicable at time of connection	Type 4	Export
909	11/01/2021	South East	SSD831	MG04	0.08	0.00	0.08	0.08	Solar PV	3x 27.6 kVA SolarEdge Technologies Ltd SE27.6K	N/A	N/A	11/0.433	1000 kVA	Type A	As per AS4777 and SAPN EG standard applicable at time of connection	Type 4	Export
910	5/01/2021	Eastern Hills	SSD237	MTB22	0.03	0.00	0.03	0.02	Solar PV + Storage	1x 0.01 kVA SolarEdge Technologies Ltd SESTI-S4, 1x 5 kVA SolarEdge Technologies Ltd SE5000H, 1x 20 kVA SMA Australia Pty Ltd STP20000TL-30, 1x 5 kVA Fronius Australia Primo 5.0-1	N/A	N/A	11/0.24	20 kVA	Type A	As per AS4777 and SAPN EG standard applicable at time of connection	Type 4	Export

3 Single Line Diagram Types

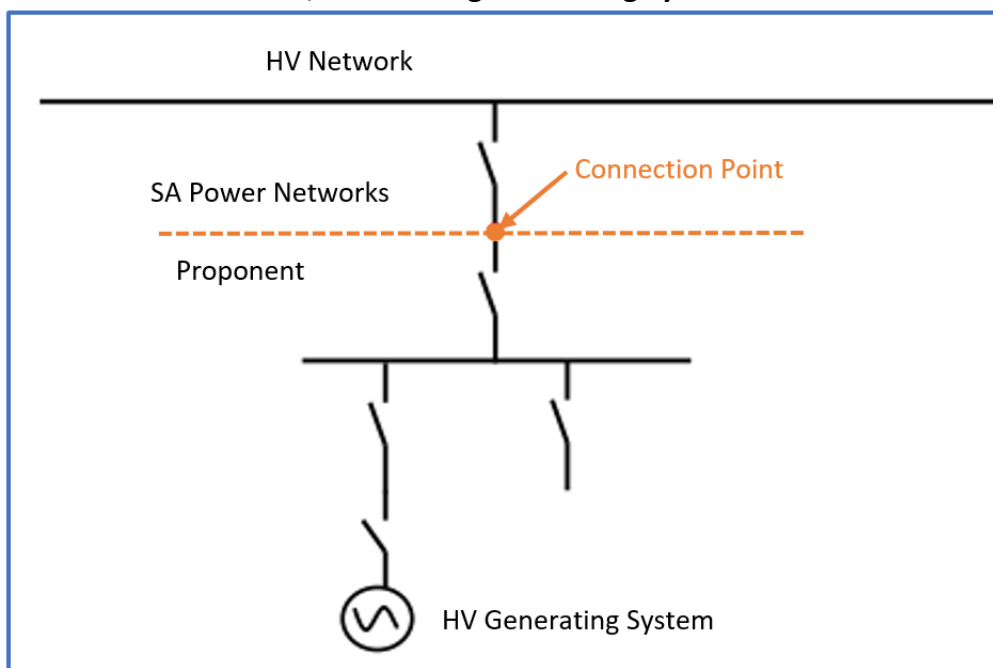
Type 1	HV Connection Point, LV Rotating or Inverter Generating System
Type 2	HV Connection Point, HV Rotating Generating System
Type 3	LV Connection Point with LV Rotating Generating System
Type 4	LV Connection Point with LV Inverter Generating System
Type 5	HV Connection Point at Substation with HV Rotating or Inverter Generating System

Table 1 - Single Line Diagram Types

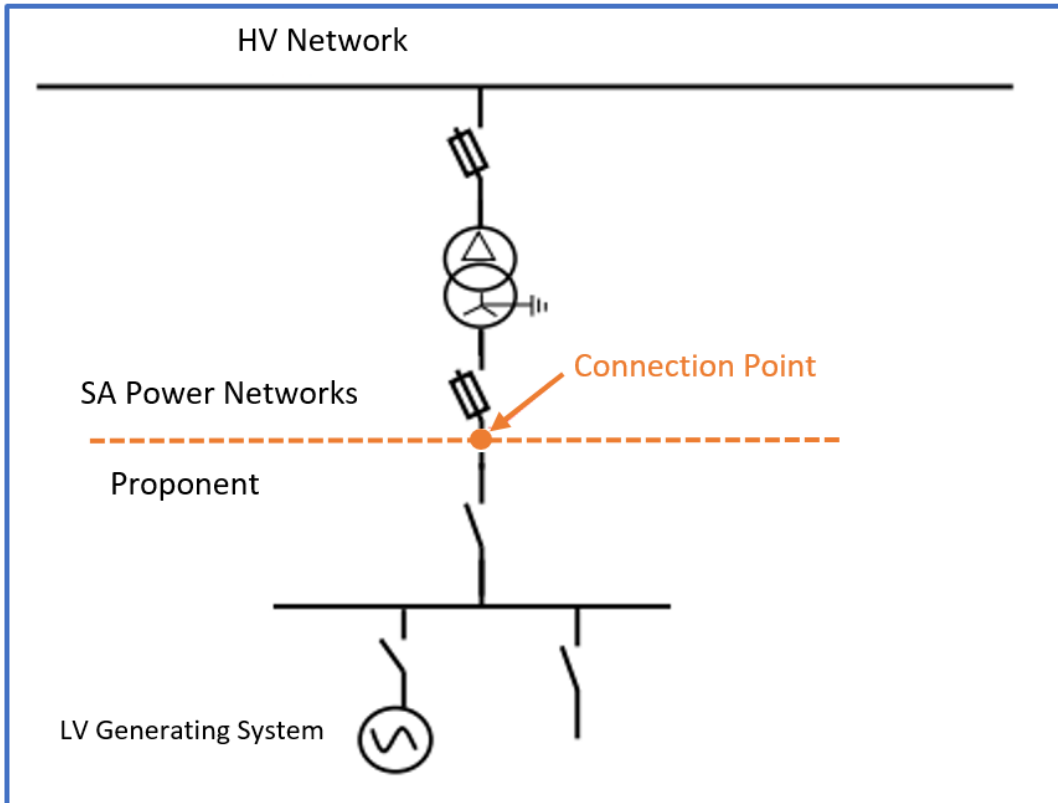
Type 1 – HV Connection Point, LV Rotating or Inverter Generating System



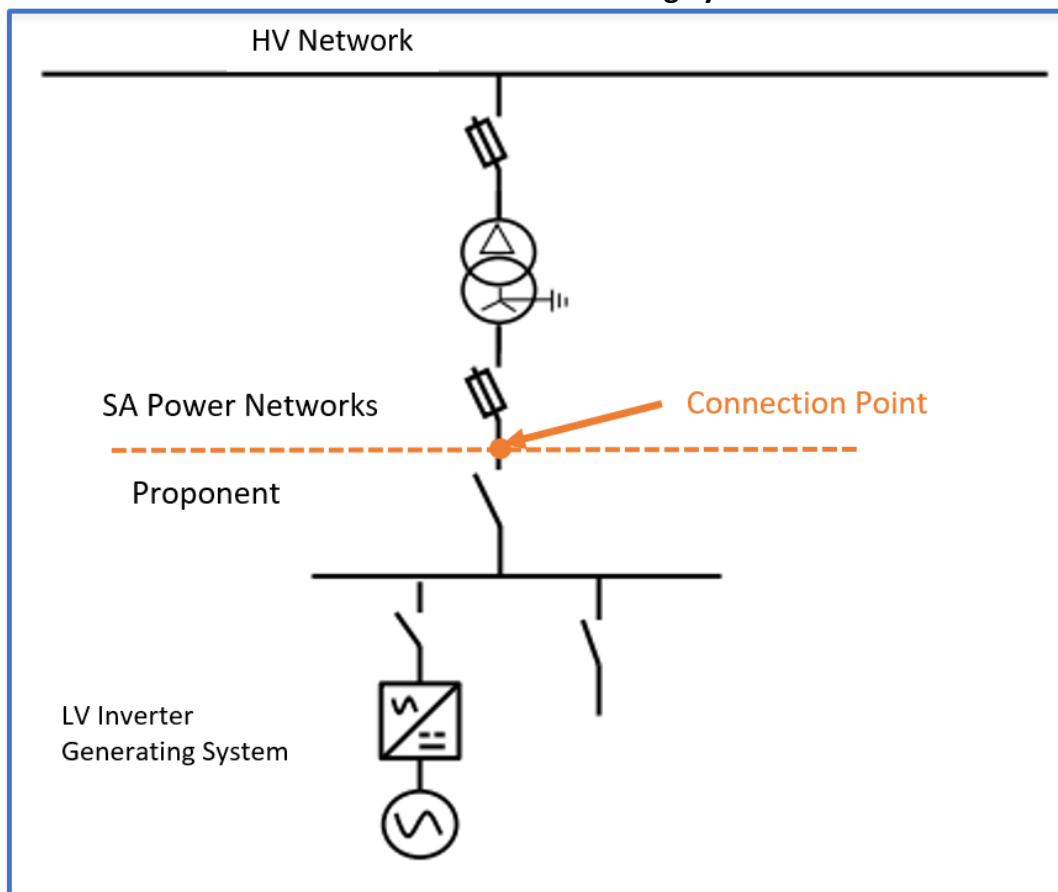
Type 2 – HV Connection Point, HV Rotating Generating System



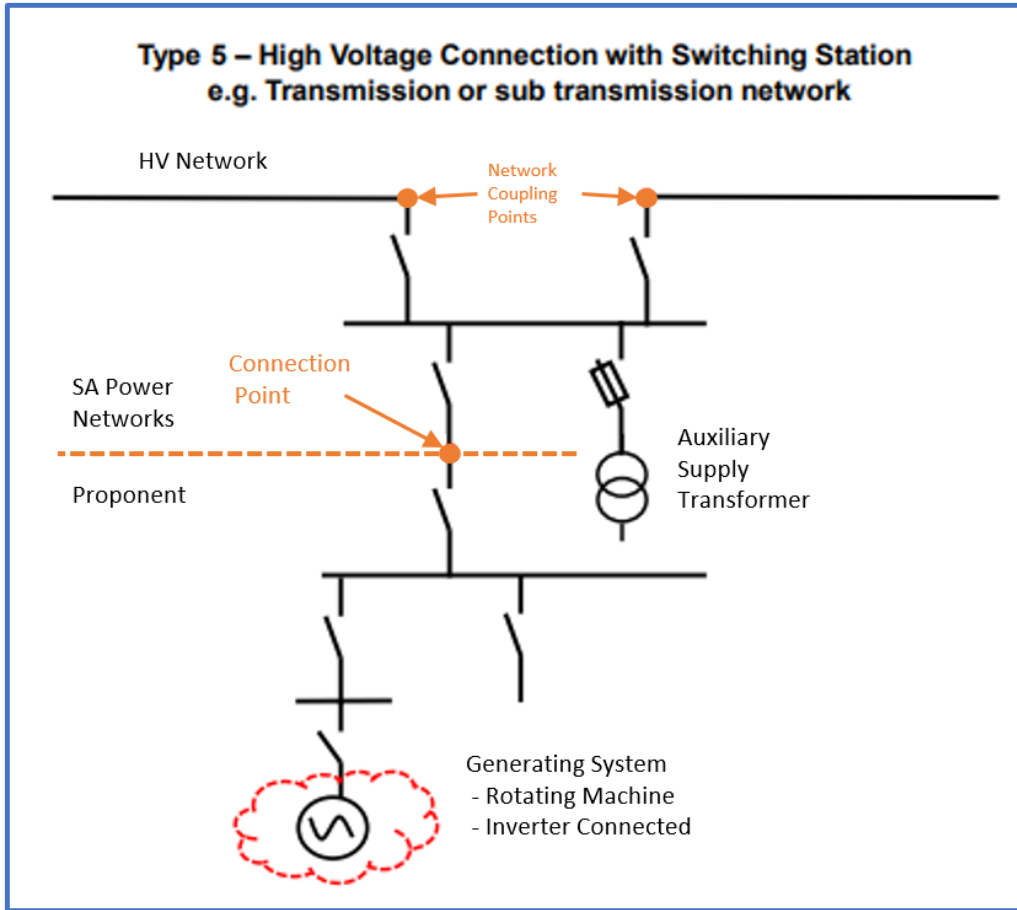
Type 3 – LV Connection Point with LV Rotating Generating System



Type 4 – LV Connection Point with LV Inverter Generating System



Type 5 – HV Connection Point at Substation with HV Rotating or Inverter Generating System



4 Protection System Types

Type A	30-200kW Inverter
Type B	≥200kW Inverter (export <200kW incl non-export)
Type C	≥200kW Inverter
Type D	≥5MW Inverter
Type E	≥5MW Rotating
Type F	<5MW Rotating
Type G	Rotating (non-export)

Table 2 - Protection System Types Summary

4.1 Protection System Types – Detailed

Type A
30-200kW Inverter
AS4777 Anti-Islanding
Backup Anti-Islanding
Voltage Unbalance

Type B
≥200kW Inverter (export <200kW incl non-export)
AS4777 Anti-Islanding
Backup Anti-Islanding
Non-Export
Voltage Unbalance

Type C
≥200kW Inverter
AS4777 Anti-Islanding
Backup Anti-Islanding
Overcurrent and Earth Fault
SCADA
Voltage Unbalance

Type D
≥5MW Inverter
Inter-trip scheme to prevent islanding
Generating System Under/Over Frequency
Generating System Under/Over Voltage
ROCOF
Overcurrent and Earth Fault
SCADA
Voltage Unbalance
Circuit Breaker Fail

Type E
<5MW Rotating
Inter-trip scheme to prevent islanding
Permissive interlocks
AS4777 Anti-Islanding
Generating System Under/Over Frequency
Generating System Under/Over Voltage
ROCOF
Overcurrent and Earth Fault
Synchronisation
SCADA
Pole Slip
Voltage Unbalance
Circuit Breaker Fail

Type F
≥5MW Rotating
Inter-trip Scheme to prevent Islanding
Permissive Interlocks
Generating System Under/Over Frequency
Generating System Under/Over Voltage
ROCOF
Overcurrent and Earth Fault
Synchronisation
SCADA
Pole Slip
Voltage Unbalance
Circuit Breaker Fail

Type G
Rotating (non-export)
AS4777 Anti-Islanding
Backup Anti-Islanding
Minimum Import
Voltage Unbalance

Other site-specific protection potentially required to any class listed above:
Inter-trip
Runback Scheme
Dedicated Line/Feeder protection
Set 1&2 Protection
Permissive Signalling & Fault Current Limiter
Circuit Breaker Fail